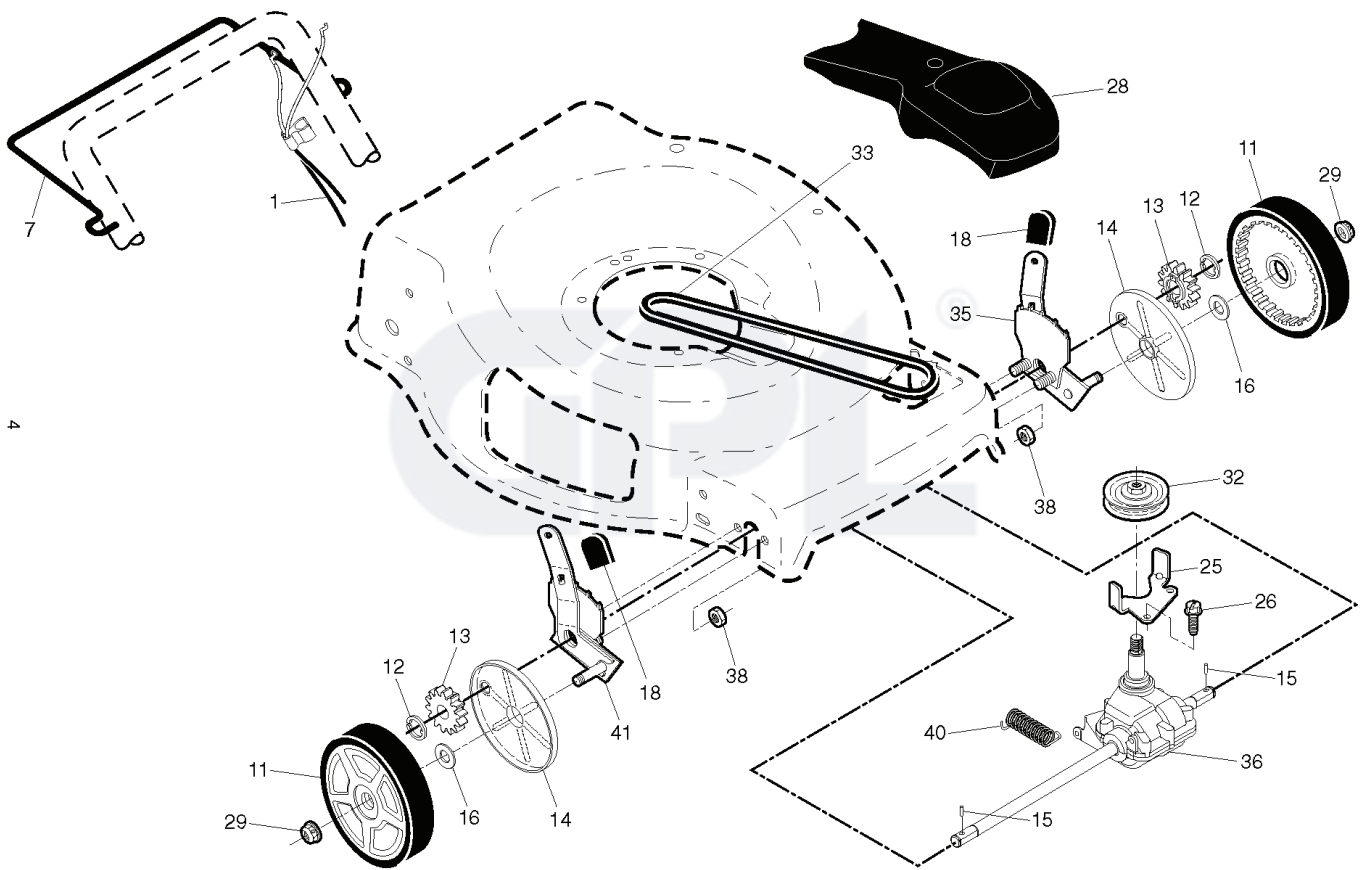


M56-140WF, 96121002505, 2016-08

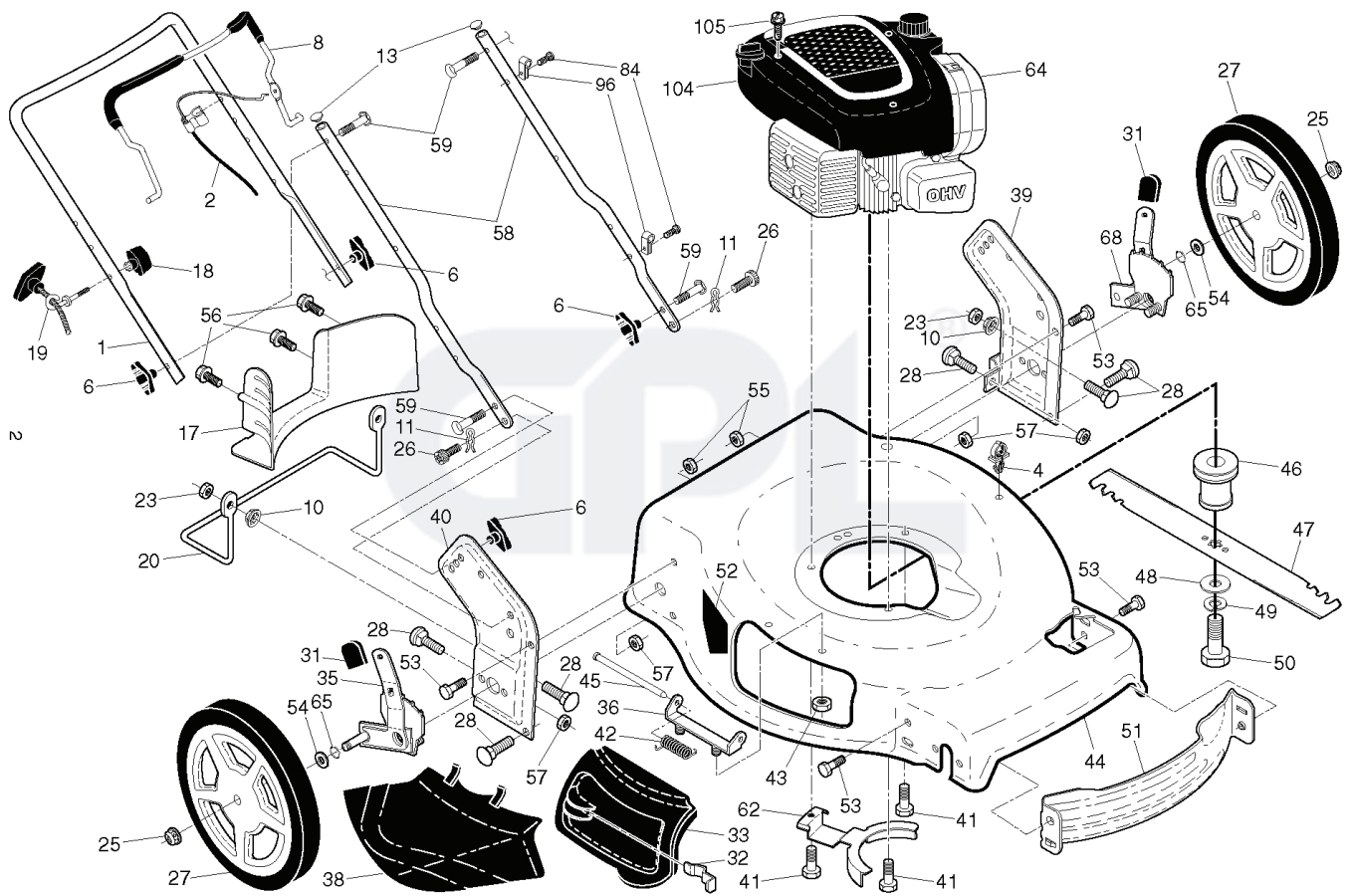


SPARE PARTS LIST



REF.	PART NO.	DESCRIPTION	REMARK	QTY.	KIT
1	585040701	CABLE		1	
7	585123102	BAIL		1	
11	581009205	WHEEL ASSY		1	
12	812000058	E-CLIP		1	
13	532403849	PINION		1	
14	581840401	DUST COVER		1	
15	532404845	PAWL DRIVE		1	
16	532067725	WASHER		1	
18	532087877	KNOB		1	
25	532431711	BRACKET		1	
26	532163409	SCREW		1	
28	587997801	COVER	Includes Mounting Screw & Pushnut	1	
29	532409148	NUT		1	
32	586989701	PULLEY		1	
33	532196853	BELT		1	
35	581497904	ADJUSTER		1	
36	532424741	GEARBOX		1	
38	532438130	NUT		1	
40	532406558	SPRING		1	
41	581497908	ADJUSTER		1	





REF.	PART NO.	DESCRIPTION	REMARK	QTY.	KIT
1	585854802	HANDLE		1	
2	532420939	CABLE		1	
4	532145006	CLIP		1	
6	532191938	KNOB		1	
8	587689303	BAIL ARM ASSY		1	
10	532423063	WASHER		1	
11	532425575	COTTER		1	
13	532437516	PLUG		1	
17	532427307	BAFFLE		1	
18	581912601	KNOB		1	
19	581902101	GUIDE		1	
20	532422467	GUARD		1	
23	873970500	NUT		1	
25	532409149	NUT		1	
26	532419945	SCREW		1	
27	581010305	WHEEL ASSY		1	
28	586212501	BOLT		1	
31	532087877	KNOB		1	
32	532441192	LATCH		1	
33	532432642	MULCH DOOR		1	
35	532431140	ADJUSTER		1	
36	532175735	HINGE		1	
38	532426129	DEFLECTOR		1	
39	585900702	BRACKET		1	
40	585900802	BRACKET		1	
41	532150406	BOLT		1	
42	532193000	HINGE		1	
43	532191730	NUT		1	
44	581062101	HOUSING ASSY		1	
45	532175650	ROD		1	
46	581352401	ADAPTER		1	
47	580244001	BLADE		1	
48	532851074	WASHER		1	
49	532850263	WASHER		1	
50	532851084	SCREW		1	
51	532430599	BAFFLE		1	
52	532182166	DECAL		1	
53	817000510	BOLT		1	
54	532088348	WASHER		1	
55	532191730	NUT		1	
56	817411312	SCREW		1	
57	532155377	NUT		1	
58	585908202	HANDLE		1	
59	532191574	SCREW		1	
62	532435059	BRACKET		1	
64	000000000	W/O DESCRIPTION	B&S 9P702-0101-H1 FOR SERVICE & PARTS 1-800- 233-3723	1	
65	532197480	O-RING		1	
68	532431141	ADJUSTER		1	
84	532428124	FASTENER		1	
96	532197991	CLIP		1	
104	580445601	SHROUD		1	
105	532181698	SCREW		1	
	532182191	LABEL WARNING	NOT SHOWN	1	
	532423849	BAG	NOT SHOWN	1	