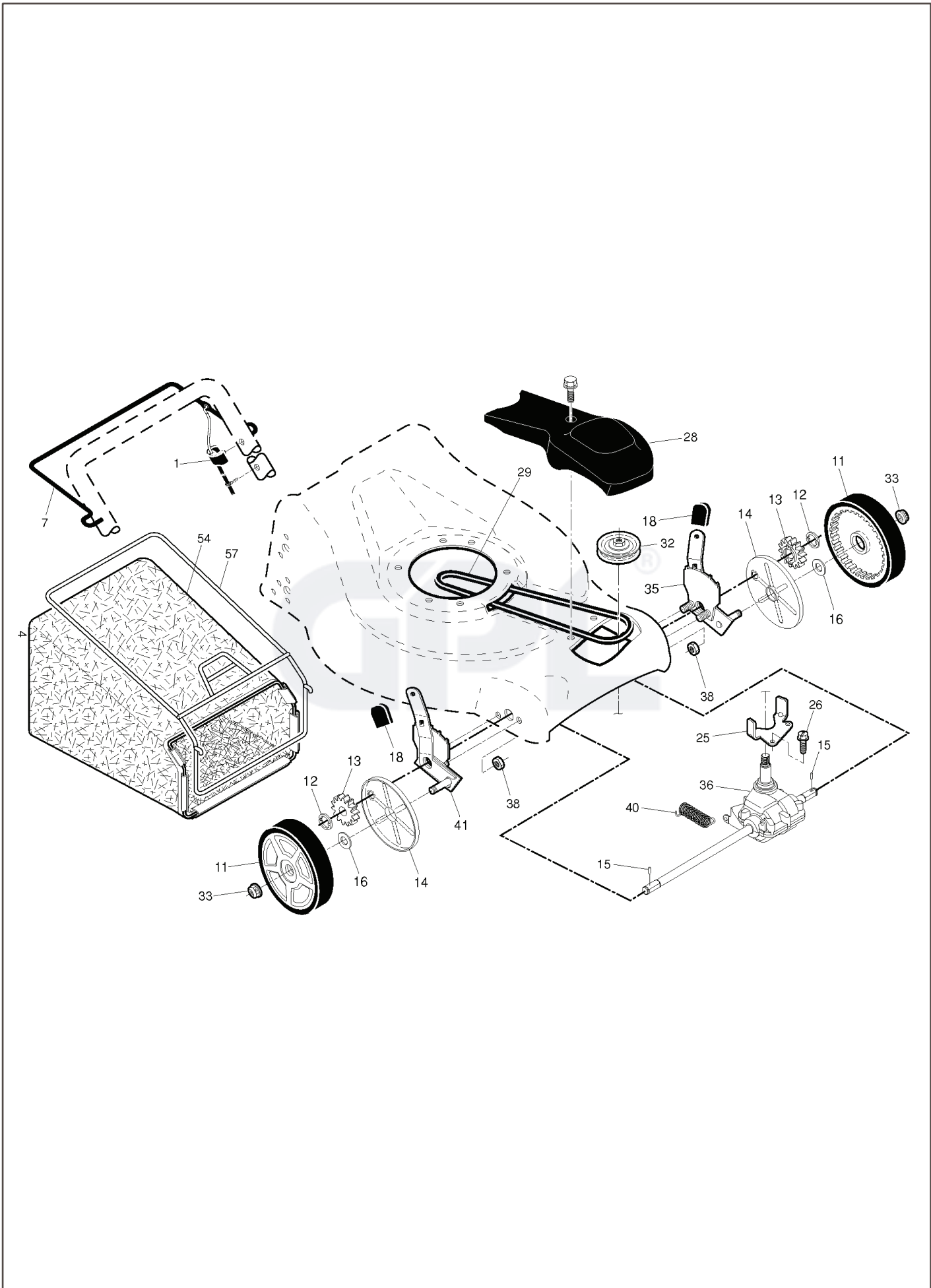


M51-150WF, 96141031100, 2015-12

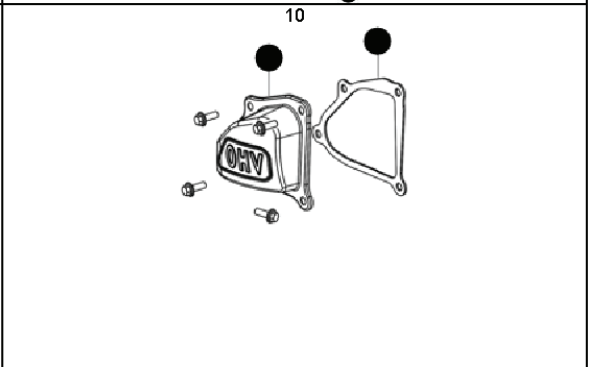
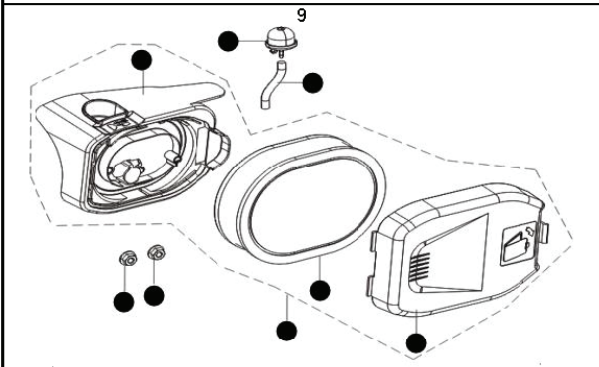
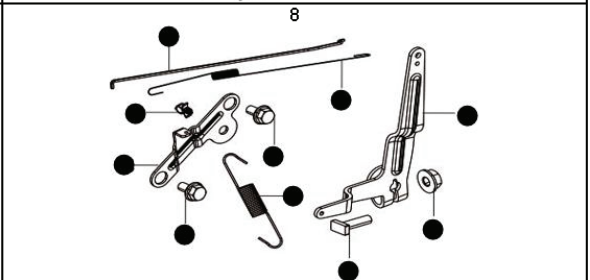
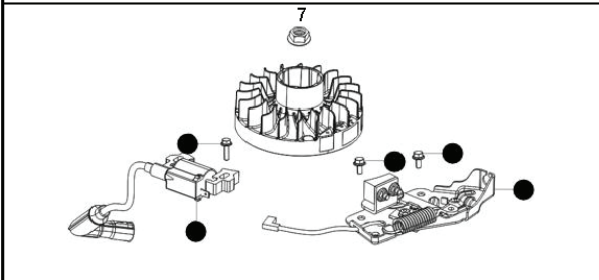
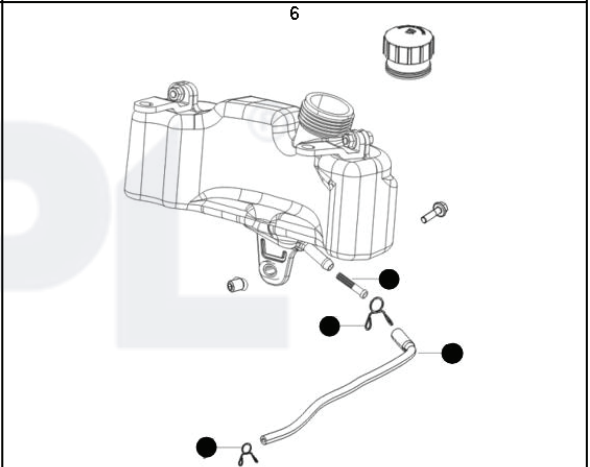
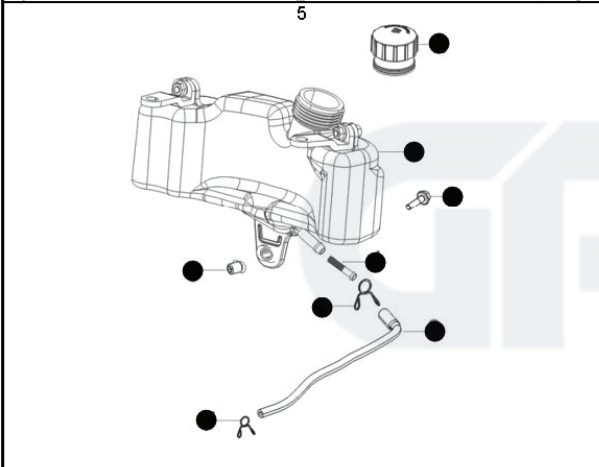
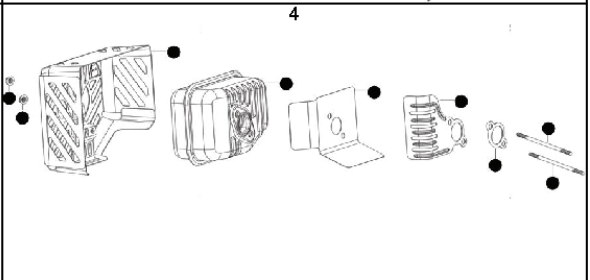
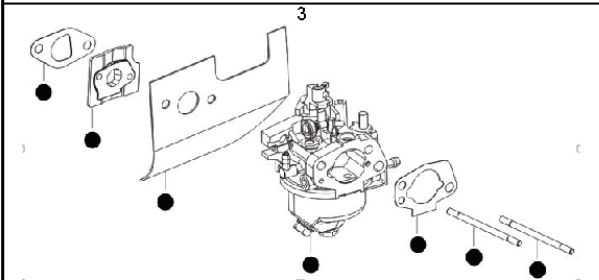
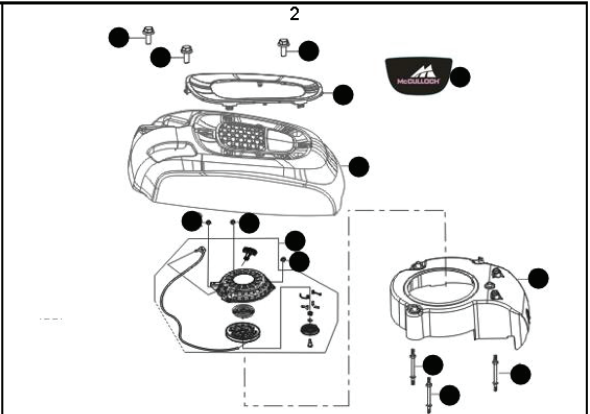
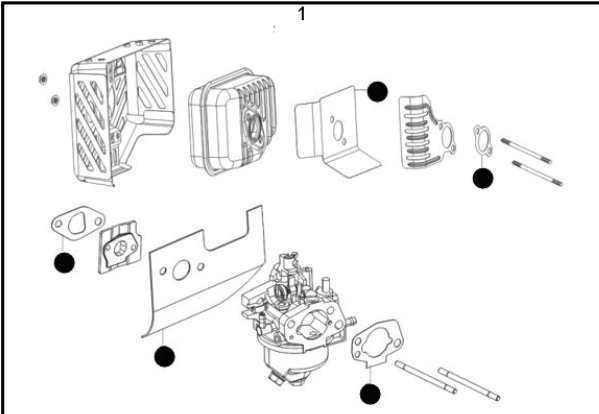


SPARE PARTS LIST



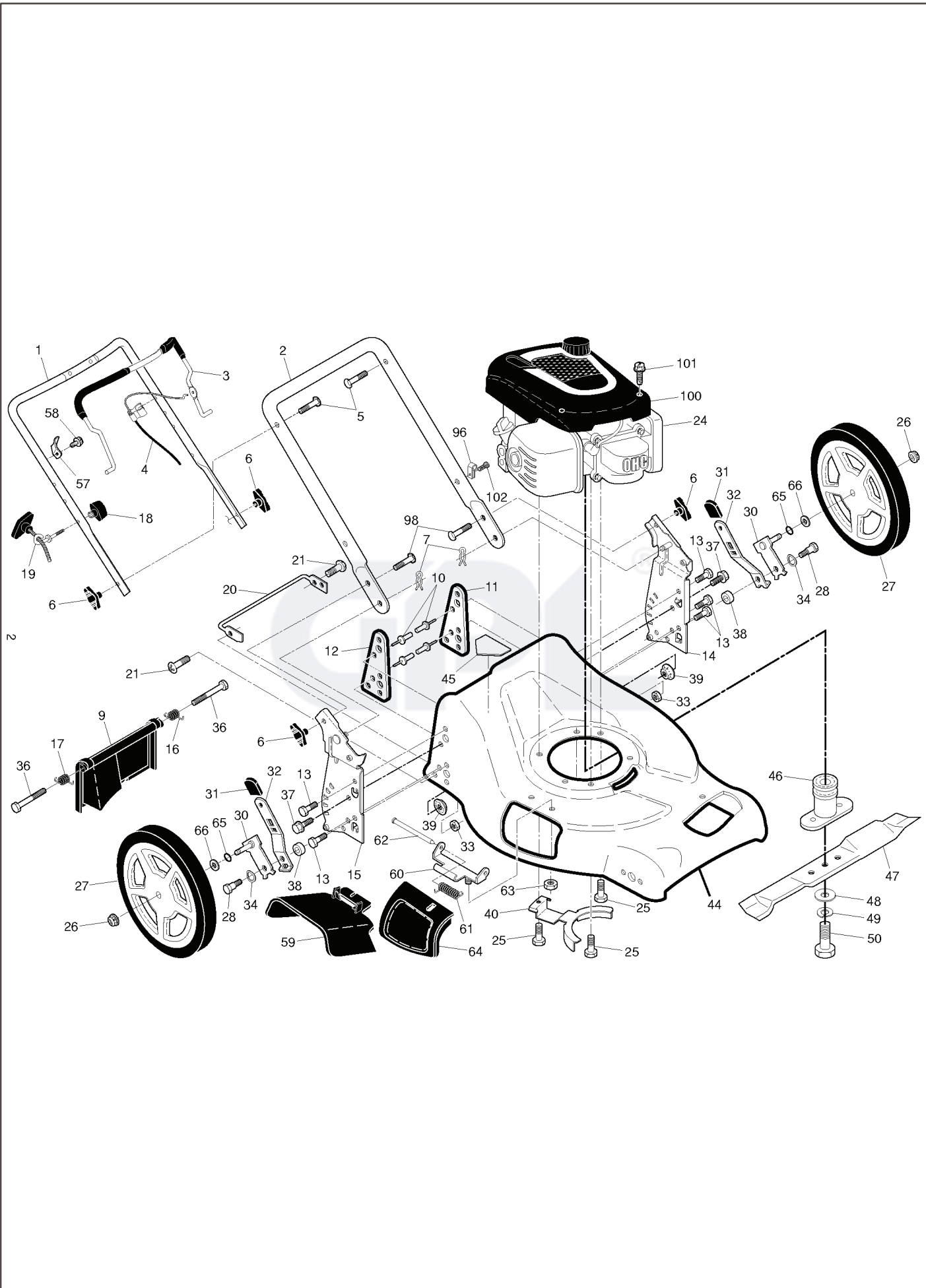
| REF. | PART NO. | DESCRIPTION | REMARK | QTY. | KIT |
|------|-----------|-----------------------------|--------|------|-----|
| 1 | 588479202 | CABLE | | 1 | |
| 7 | 532198453 | BAR | | 1 | |
| 11 | 581009205 | WHEEL ASSY | | 1 | |
| 12 | 812000058 | E-CLIP | | 1 | |
| 13 | 532403849 | PINION | | 1 | |
| 14 | 581840401 | DUST COVER | | 1 | |
| 15 | 532404845 | PAWL DRIVE | | 1 | |
| 16 | 532067725 | WASHER | | 1 | |
| 18 | 532087877 | KNOB | | 1 | |
| 25 | 532431711 | BRACKET | | 1 | |
| 26 | 532163409 | SCREW | | 1 | |
| 28 | 532432663 | COVER | | 1 | |
| 29 | 532194149 | BELT | | 1 | |
| 32 | 586989701 | PULLEY | | 1 | |
| 33 | 532409148 | NUT | | 1 | |
| 35 | 532438151 | ADJUSTER | LH | 1 | 18 |
| 36 | 532404833 | GEARCASE ASSEMBLY, COMPLETE | | 1 | |
| 38 | 873800400 | NUT | | 1 | |
| 40 | 532406558 | SPRING | | 1 | |
| 41 | 532438148 | ADJUSTER | RH | 1 | 18 |
| 54 | 580953404 | GRASS BAG ASSY | | 1 | |
| 57 | 532411950 | FRAME | | 1 | |





| REF. | PART NO. | DESCRIPTION | REMARK | QTY. | KIT |
|------|-----------|-------------------|------------|------|-----|
| 1 | 579829002 | GASKET KIT | | 1 | |
| 2 | 579829003 | SHROUD KIT | | 1 | |
| 3 | 579829004 | CARBURETTOR KIT | | 1 | |
| 4 | 579829005 | MUFFLER KIT | | 1 | |
| 5 | 579829006 | FUEL TANK KIT | | 1 | |
| 6 | 579829007 | FUEL FILTER KIT | | 1 | |
| 7 | 579829008 | IGNITION KIT | | 1 | |
| 8 | 579829009 | GOVERNOR KIT | | 1 | |
| 9 | 579829010 | AIR INTAKE KIT | | 1 | |
| 10 | 579829011 | CYLINDER HEAD KIT | | 1 | |
| | 579829012 | DIPSTICK | | 1 | |
| | 579829013 | AIR FILTER | | 1 | |
| | 579829014 | ENGINE ASSY | NON-VENTED | 1 | |





| REF. | PART NO. | DESCRIPTION | REMARK | QTY. | KIT |
|------|-----------|--------------------|---|------|-----|
| 1 | 532427738 | HANDLE | | 1 | |
| 2 | 532434514 | HANDLE | | 1 | |
| 3 | 581802001 | BAIL | | 1 | |
| 4 | 532420939 | CABLE | | 1 | |
| 5 | 532191574 | SCREW | | 1 | |
| 6 | 532191938 | KNOB | | 1 | |
| 7 | 532051793 | PIN | | 1 | |
| 9 | 532406985 | DEFLECTOR | | 1 | |
| 10 | 532128415 | RIVET | | 1 | |
| 11 | 532410540 | BRACKET | LH | 1 | |
| 12 | 532410542 | BRACKET | RH | 1 | |
| 13 | 817060410 | SCREW | | 1 | |
| 14 | 532434513 | BRACKET | LH | 1 | |
| 15 | 532434512 | BRACKET | RH | 1 | |
| 16 | 532405417 | SPRING | LH | 1 | |
| 17 | 532405418 | SPRING | RH | 1 | |
| 18 | 581912601 | KNOB | | 1 | |
| 19 | 581902101 | GUIDE | | 1 | |
| 20 | 532436119 | GUARD | | 1 | |
| 21 | 817490416 | SCREW | | 1 | |
| 24 | 588843506 | ENGINE | RATO RV150 10100- Z180310 | 1 | |
| 25 | 532150406 | BOLT | | 1 | |
| 26 | 532409149 | NUT | | 1 | |
| 27 | 581010305 | WHEEL ASSY | | 1 | |
| 28 | 532401638 | BOLT | | 1 | |
| 30 | 532413141 | ARM | | 1 | |
| 31 | 532087877 | KNOB | | 1 | |
| 32 | 532409889 | SELECTOR SPRING | | 1 | |
| 33 | 873800500 | LOCK NUT | | 1 | |
| 34 | 532401630 | WASHER | | 1 | |
| 36 | 532184193 | BOLT | | 1 | |
| 37 | 874780512 | SCREW | | 1 | |
| 38 | 532401629 | SPACER | | 1 | |
| 39 | 532155377 | NUT | | 1 | |
| 40 | 532435059 | BRACKET | | 1 | |
| 44 | 532409265 | CHASSIS | | 1 | |
| 45 | 532182166 | DECAL | | 1 | |
| 46 | 581367101 | ADAPTER | | 1 | |
| 47 | 532199377 | MOWER BLADE | | 1 | |
| 48 | 532851074 | WASHER | | 1 | |
| 49 | 532850263 | WASHER | | 1 | |
| 50 | 532851084 | SCREW | | 1 | |
| 57 | 532430034 | BRACKET | | 1 | |
| 58 | 532178848 | SCREW | | 1 | |
| 59 | 532175071 | CLIPPING DEFLECTOR | | 1 | |
| 60 | 532175735 | HINGE | | 1 | |
| 61 | 532193000 | HINGE | | 1 | |
| 62 | 532175650 | ROD | | 1 | |
| 63 | 873800400 | NUT | | 1 | |
| 64 | 532175066 | PLUG | | 1 | |
| 65 | 532197480 | O-RING | | 1 | |
| 66 | 532088348 | WASHER | | 1 | |
| 96 | 532197991 | CLIP | | 1 | |
| 98 | 586212501 | BOLT | | 1 | |
| 102 | 532428124 | FASTENER | | 1 | |
| | 532182191 | LABEL WARNING | NOT SHOWN-OPTIONAL | 1 | |
| | 581006701 | BAG | BAG OF PARTS (INCLUCES KEY NUMBERS 6 & 98) | 1 | |