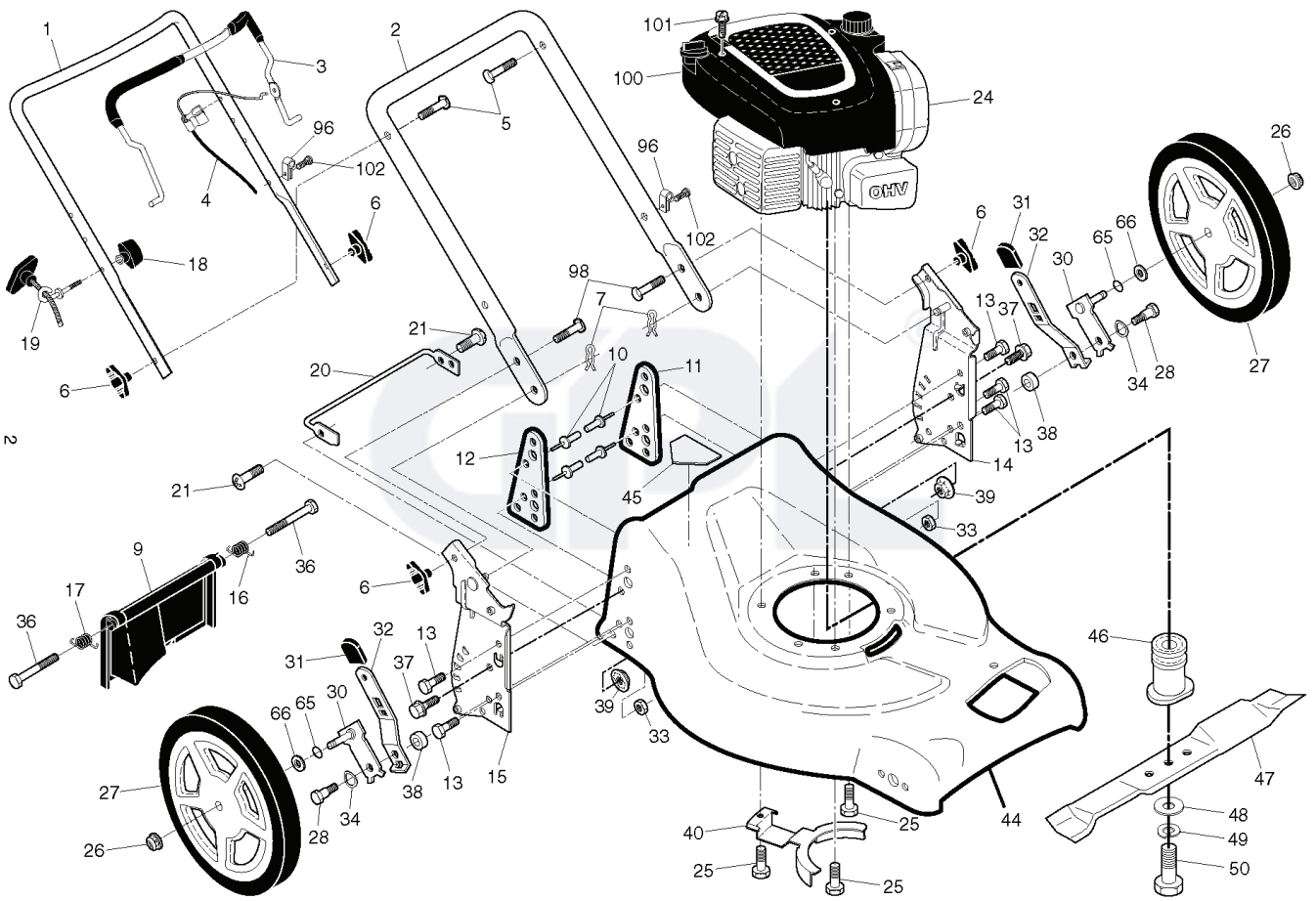


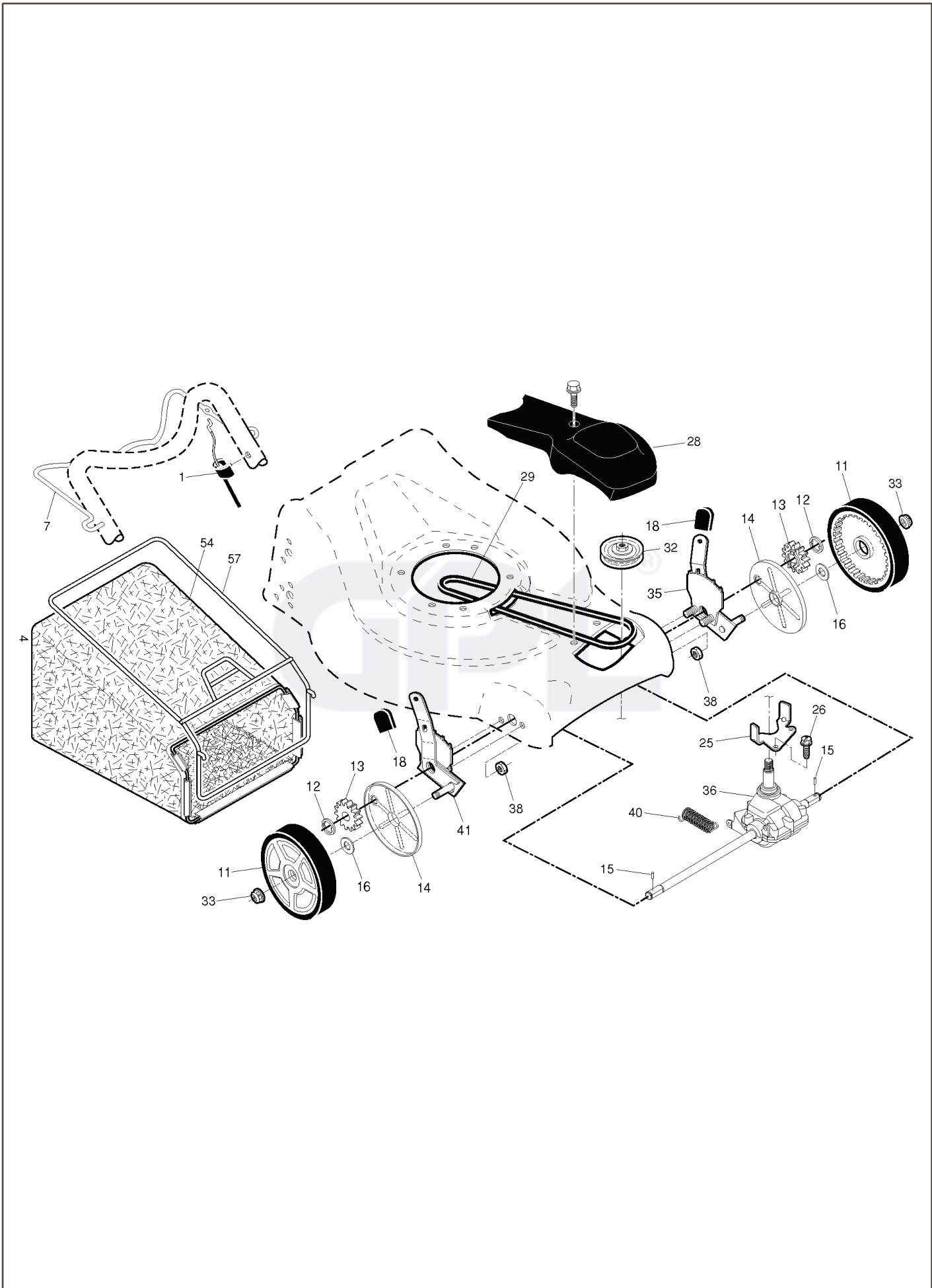
M51-140WF, 96141027005, 2015-10



SPARE PARTS LIST



REF.	PART NO.	DESCRIPTION	REMARK	QTY.	KIT
1	580638702	HANDLE		1	
2	532434514	HANDLE		1	
3	587689303	BAIL ARM ASSY		1	
4	532420939	CABLE		1	
5	532191574	SCREW		1	
6	532191938	KNOB		1	
7	532051793	PIN		1	
9	532406985	DEFLECTOR		1	
10	532128415	RIVET		1	
11	532406573	SUPPORT BRACKET LH	LH	1	
12	532406574	SUPPORT BRACKET RH	RH	1	
13	817060410	SCREW		1	
14	532434513	BRACKET	LH	1	
15	532434512	BRACKET	RH	1	
16	532405417	SPRING	LH	1	
17	532405418	SPRING	RH	1	
18	581912601	KNOB		1	
19	581902101	GUIDE		1	
20	532436119	GUARD		1	
21	817490416	SCREW		1	
24	000000000	W/O DESCRIPTION	B&S 9P602-0062-H1 FOR SERVICE & PARTS 1-800- 233-3723	1	
25	532150406	BOLT		1	
26	532409149	NUT		1	
27	581010305	WHEEL ASSY	REAR	1	
28	532401638	BOLT		1	
30	532413141	ARM	REAR	1	
31	532087877	KNOB		1	
32	532409889	SELECTOR SPRING		1	
33	873800500	LOCK NUT		1	
34	532401630	WASHER		1	
36	532184193	BOLT		1	
37	874780512	SCREW		1	
38	532401629	SPACER		1	
39	532155377	NUT		1	
40	532435059	BRACKET		1	
44	532409364	CHASSIS		1	
45	532182166	DECAL		1	
46	581367101	ADAPTER		1	
47	532199377	MOWER BLADE		1	
48	532851074	WASHER		1	
49	532850263	WASHER		1	
50	532851084	SCREW		1	
65	532197480	O-RING		1	
66	532088348	WASHER		1	
96	532197991	CLIP		1	
98	586212501	BOLT		1	
100	580445601	SHROUD		1	
101	532181698	SCREW		1	
102	532428124	FASTENER		1	
	532182191	LABEL WARNING		1	
	581006701	BAG	NOT SHOWN	1	6 & 98



REF.	PART NO.	DESCRIPTION	REMARK	QTY.	KIT
1	585040702	CABLE		1	
7	585123102	BAIL		1	
11	581009205	WHEEL ASSY		1	
12	812000058	E-CLIP		1	
13	532403849	PINION		1	
14	581840401	DUST COVER		1	
15	532404845	PAWL DRIVE		1	
16	532067725	WASHER		1	
18	532087877	KNOB		1	
25	532431711	BRACKET		1	
26	532163409	SCREW		1	
28	532432665	DRIVE COVER	Includes Mounting Screw & Pushnut	1	
29	532194149	BELT		1	
32	586989701	PULLEY		1	
33	532409148	NUT		1	
35	532438151	ADJUSTER	LH	1	
36	532404833	GEARCASE ASSEMBLY, COMPLETE		1	
38	873800400	NUT		1	
40	532406558	SPRING		1	
41	532438148	ADJUSTER	RH	1	
54	580953404	GRASS BAG ASSY		1	
57	532411950	FRAME		1	

