

LM2155MD

Spare parts

Ersatzteile

Pièces détachées

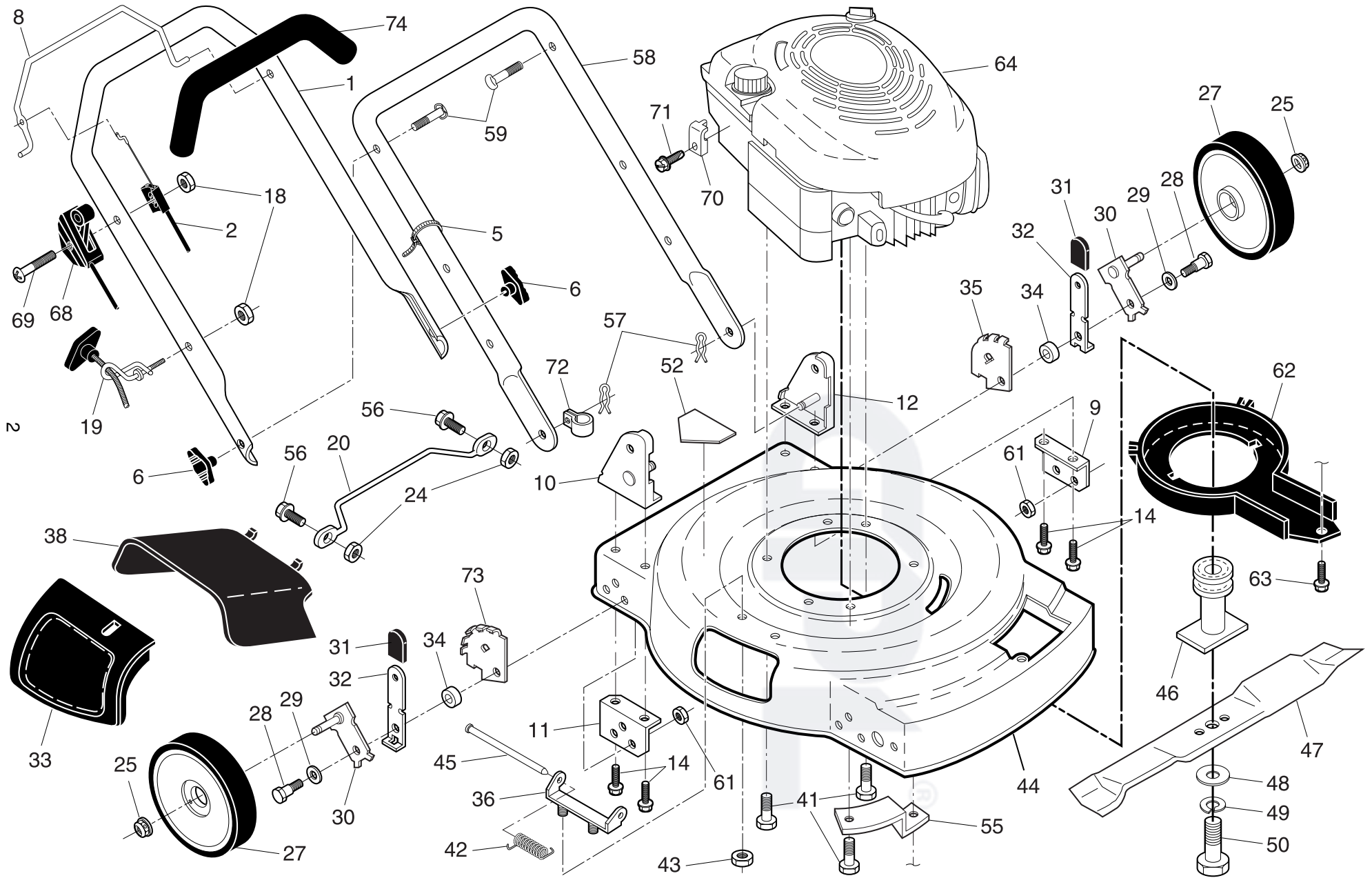
Reserve onderdelen

Repuestos

Reservdelar

GPL®

ROTARY LAWN MOWER - - MODEL NUMBER LM2155MD (96121000801) PRODUCT NUMBER 961 21 00-08



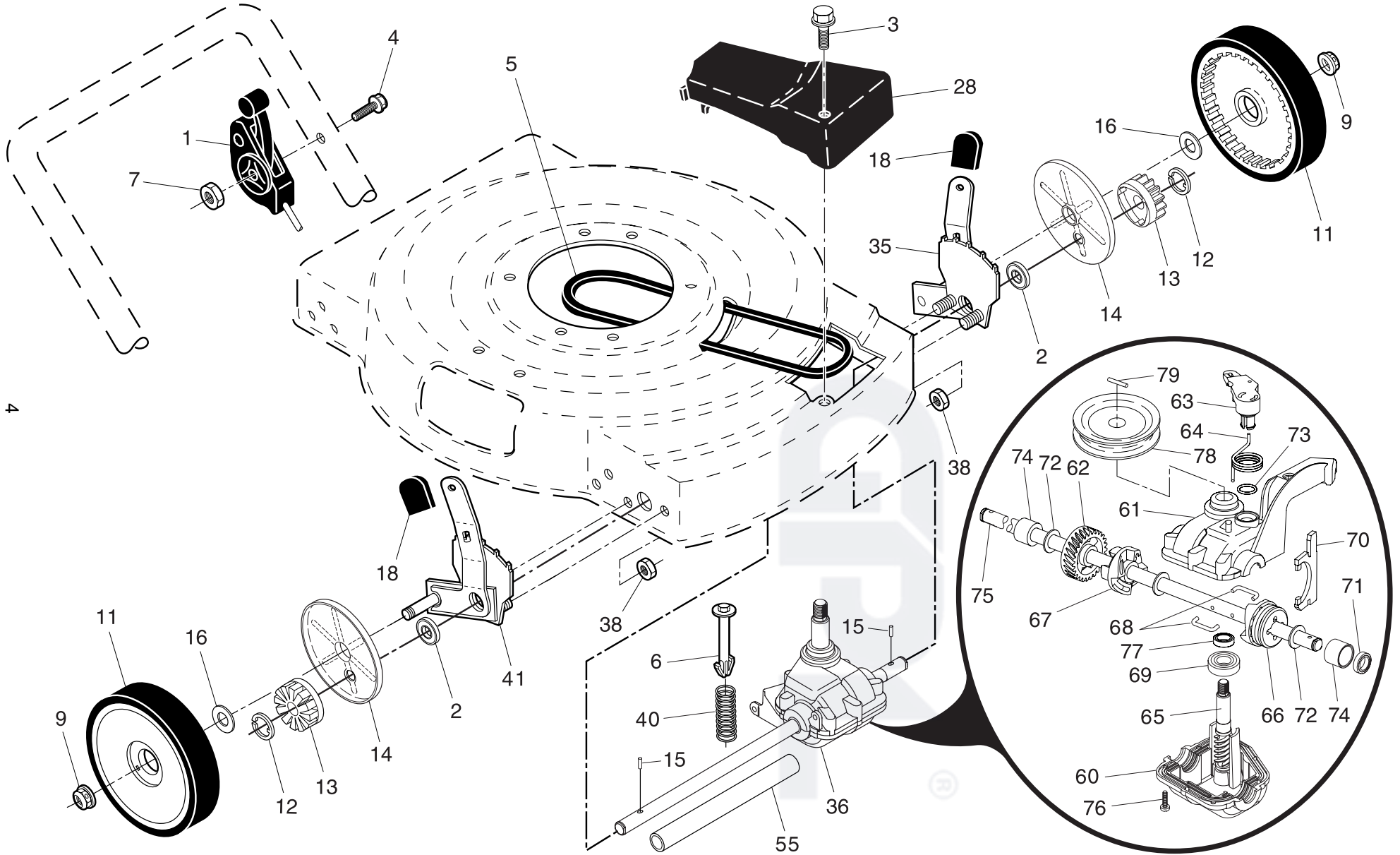
ROTARY LAWN MOWER - - MODEL NUMBER LM2155MD (96121000801) PRODUCT NUMBER 961 21 00-08

| KEY NO. | PART NO. | DESCRIPTION |
|---------|---------------------|--|
| 1 | 532 16 71-63 | Upper Handle, with Grip |
| 2 | 532 14 92-93 | Cable, Engine Zone Control |
| 5 | 532 06 64-26 | Wire Tie |
| 6 | 532 19 19-38 | Handle Knob |
| 8 | 532 19 05-17 | Control Bar |
| 9 | 532 19 58-00 | Support Bracket, LH |
| 10 | 532 17 09-75 | Handle Bracket Assembly, RH |
| 11 | 532 19 57-99 | Support Bracket, RH |
| 12 | 532 17 09-77 | Handle Bracket Assembly, LH |
| 14 | 532 14 97-41 | Self-Tapping Screw 5/16-18 x 3/4 |
| 18 | 532 13 20-04 | Nut, Hex |
| 19 | 532 19 47-88 | Rope Guide |
| 20 | 532 15 41-47 | Footguard |
| 24 | 532 06 91-80 | Nut, Hex |
| 25 | 532 08 39-23 | Locknut 3/8-16 |
| 27 | 532 40 25-66 | Wheel & Tire Assembly, Rear 8 x 1.75 |
| 28 | 532 14 27-48 | Shoulder Bolt 3/8-16 |
| 29 | 532 06 23-35 | Belleville Washer 1/2 |
| 30 | 532 15 12-54 | Axle Arm Assembly |
| 31 | 532 13 28-00 | Selector Knob |
| 32 | 532 12 52-59 | Selector Spring |
| 33 | 532 15 18-89 | Mulcher Door |
| 34 | 532 14 66-30 | Spacer |
| 35 | 532 13 43-40 | Wheel Adjusting Bracket, LH |
| 36 | 532 15 41-32 | Housing Bracket Assembly |
| 38 | 532 17 65-09 | Discharge Guard |
| 41 | 532 15 04-06 | Hex Head Thread Rolling Screw 3/8-16 x 1 |
| 42 | 532 15 21-24 | Torsion Spring |
| 43 | 873 80 04-00 | Locknut, Hex 1/4-20 |

| KEY NO. | PART NO. | DESCRIPTION |
|---------|--------------|---|
| 44 | 532 40 07-36 | Kit, Lawn Mower Housing |
| 45 | 532 14 72-86 | Hinge Rod |
| 46 | 532 18 91-79 | Blade Adapter / Pulley |
| 47 | 532 19 93-79 | 22" Blade |
| 48 | 532 85 10-74 | Hardened Washer |
| 49 | 532 85 02-63 | Washer, Lock Helical 3/8 |
| 50 | 532 85 10-84 | Hex Head Screw 3/8-24 x 1-3/8 Grade 8 |
| 52 | 532 18 21-66 | Danger Decal |
| 55 | 532 19 09-39 | Mounting Bracket, Debris Shield |
| 56 | 532 08 58-25 | Screw |
| 57 | 532 05 17-93 | Hairpin Cotter |
| 58 | 532 15 50-44 | Lower Handle |
| 59 | 532 19 15-74 | Handle Bolt 5/16-18 x 1-3/4 |
| 61 | 532 75 15-92 | Locknut, Hex 3/8-16 |
| 62 | 532 18 87-84 | Debris Shield |
| 63 | 532 19 23-25 | Screw, Hex Washer Head |
| 64 | - - - | Engine - Briggs & Stratton Model No. 128802 (Order parts from engine manufacturer) |
| 68 | 532 70 04-17 | Throttle Control |
| 69 | 532 18 33-65 | Screw |
| 70 | 532 11 11-90 | Cable Clamp |
| 71 | 532 08 38-16 | Thread Rolling Screw #10-32 x 5/8 |
| 72 | 532 19 79-91 | Clip, Cable |
| 73 | 532 13 43-41 | Wheel Adjusting Bracket, RH |
| 74 | 532 16 42-65 | Handle Grip |
| - - | 532 18 21-34 | Warning Decal (not shown) |
| - - | 532 19 41-64 | Operator's Manual, European |
| - - | 532 19 41-65 | Operator's Manual, Scandinavian |
| - - | 532 19 95-46 | Operator's Manual, East Bloc |
| - - | 532 19 95-44 | Operator's Manual, Baltic |

NOTE: All component dimensions given in U.S. inches. 1 inch = 25.4 mm. **IMPORTANT:** Use only Original Equipment Manufacturer (O.E.M.) replacement parts. Failure to do so could be hazardous, damage your lawn mower and void your warranty.

ROTARY LAWN MOWER - - MODEL NUMBER **LM2155MD** (96121000801) PRODUCT NUMBER 961 21 00-08



ROTARY LAWN MOWER - - MODEL NUMBER LM2155MD (96121000801) PRODUCT NUMBER 961 21 00-08

| KEY NO. | PART NO. | DESCRIPTION |
|---------|---------------------|--|
| 1 | 532 18 45-88 | Drive Control |
| 2 | 532 19 10-39 | Bearing, Wheel Adjuster |
| 3 | 532 14 36-03 | Pan Head Tapping Screw #10-24 x 2-3/4 |
| 4 | 532 15 87-55 | Hex Washer Head Screw 1/4-20 x 2-1/8 |
| 5 | 532 14 65-27 | V-Belt |
| 6 | 532 15 04-95 | Spring Retainer |
| 7 | 532 19 17-30 | Locknut |
| 9 | 532 08 39-23 | Locknut |
| 11 | 532 40 25-67 | Wheel & Tire Assembly 8.00 x 1.75 |
| 12 | 812 00 00-58 | E-Ring |
| 13 | 532 75 00-03 | Pinion |
| 14 | 532 18 94-03 | Dust Cover |
| 15 | 532 19 10-17 | Pawl, Drive |
| 16 | 532 06 77-25 | Washer |
| 18 | 532 13 28-00 | Selector Knob |
| 28 | 532 19 58-11 | Drive Cover |
| 35 | 532 19 80-02 | Wheel Adjuster Assembly, LH (Includes Knob and Bearing) |
| 36 | 532 19 92-06 | Gear Case Assembly, Complete |
| 38 | 873 80 04-00 | Locknut, Hex |
| 40 | 532 13 70-90 | Spring |
| 41 | 532 19 80-00 | Wheel Adjuster Assembly, RH (Includes Knob and Bearing) |

| KEY NO. | PART NO. | DESCRIPTION |
|---------|---------------------|--------------------|
| 55 | 532 08 60-12 | Drive Shaft Cover |
| 60 | 532 18 34-97 * | Case, Lower |
| 61 | 532 18 34-98 * | Case, Upper |
| 62 | 532 18 34-99 | Gear, 27 Teeth |
| 63 | 532 18 35-00 | Lever, Clutch |
| 64 | 532 18 35-01 | Spring, Return |
| 65 | 532 18 35-02 | Shaft, Input |
| 66 | 532 18 35-03 | Dog, Movable |
| 67 | 532 18 35-04 | Dog, Fixed |
| 68 | 532 18 35-05 | Wire, Formed |
| 69 | 532 18 35-06 | Bearing, Ball |
| 70 | 532 18 35-07 | Fork, Shift |
| 71 | 532 18 35-08 | Seal, Output Shaft |
| 72 | 532 18 35-09 | Washer |
| 73 | 532 18 35-10 | Seal, Case |
| 74 | 532 18 35-11 | Bushing |
| 75 | 532 19 65-61 | Shaft, Output |
| 76 | 532 18 35-13 | Screw |
| 77 | 532 18 35-14 | Seal, Input Shaft |
| 78 | 532 19 98-52 | Drive Pulley |
| 79 | 532 19 94-19 | Pin, Retaining |

* Use Dow Corning #709 to reseal Gear Case halves.

NOTE: All component dimensions given in U.S. inches. 1 inch = 25.4 mm. **IMPORTANT:** Use only Original Equipment Manufacturer (O.E.M.) replacement parts. Failure to do so could be hazardous, damage your lawn mower and void your warranty.