

ILLUSTRATED PARTS LIST

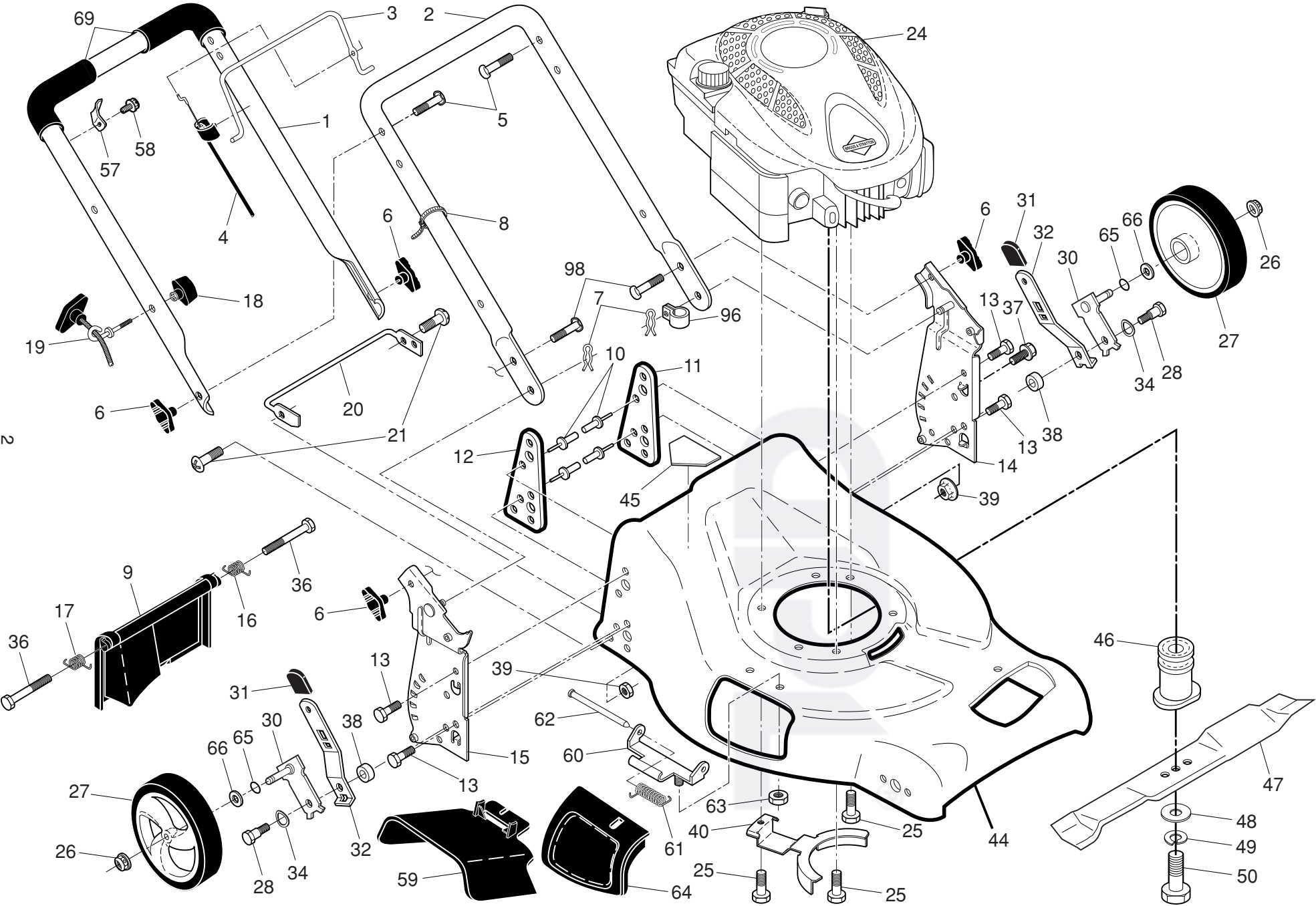
MODEL NUMBER LM 2153CMDA

PRODUCT NUMBER 961 41 02-87

MFG. ID. NUMBER 96141028700



JONSERED ROTARY LAWN MOWER - MODEL NO. LM 2153CMDA (96141028700) PRODUCT NO. 961 41 02-87

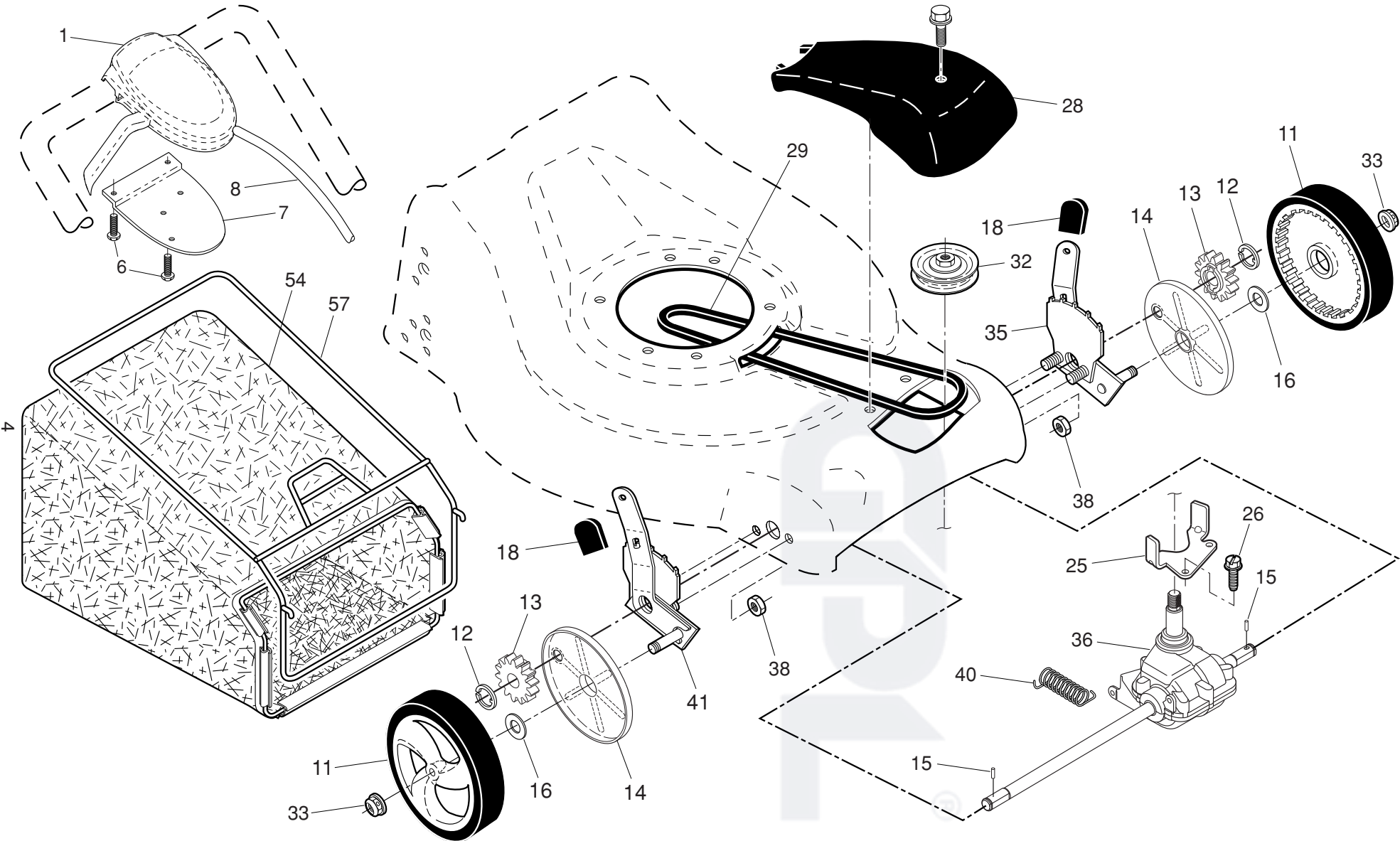


JONSERED ROTARY LAWN MOWER - MODEL NO. LM 2153CMDA (96141028700) PRODUCT NO. 961 41 02-87

KEY NO.	PART NO.	DESCRIPTION	KEY NO.	PART NO.	DESCRIPTION
1	580 63 87-09	Upper Handle Assembly (Includes Foam Grip)	36	532 18 41-93	Bolt
2	532 43 45-14	Lower Handle	38	532 40 16-29	Spacer
3	532 42 65-05	Control Bar	39	532 15 53-77	Nut, Hex, Flanged
4	532 41 53-50	Engine Zone Control Cable	40	532 43 50-59	Belt Keeper
5	532 19 15-74	Handle Bolt	44	532 43 90-57	Kit, Lawn Mower Housing (Includes Key Numbers 10, 11, 12 and 45)
6	532 19 19-38	Handle Knob	45	532 18 21-66	Danger Decal
7	532 05 17-93	Hairpin Cotter	46	532 43 22-79	Blade Adapter / Pulley
8	532 06 64-26	Wire Tie	47	532 19 93-77	Blade, 21"
9	532 40 69-85	Rear Door	48	532 85 10-74	Hardened Washer
10	532 12 84-15	Pop Rivet	49	532 85 02-63	Helical Washer 3/8-24 x 1-3/8 Grade 8
11	532 41 05-40	Support Bracket, LH	50	532 85 10-84	Screw, Machine, Hex Head, Grade 8 3/8-24 x 1-3/8
12	532 41 05-42	Support Bracket, RH	57	532 43 00-34	Upstop Bracket
13	817 06 04-10	Screw 1/4-20 x 5/8	58	532 17 88-48	Screw, Hex Washer Head #10-16 x 5/8
14	532 43 45-63	Handle Bracket Assembly, LH	59	532 17 50-71	Discharge Deflector
15	532 43 45-62	Handle Bracket Assembly, RH	60	532 17 57-35	Hinge Bracket
16	532 40 54-17	Spring, Rear Door, LH	61	532 19 30-00	Spring, Hinge
17	532 40 54-18	Spring, Rear Door, RH	62	532 17 56-50	Hinge Rod
18	581 91 26-01	T-Knob	63	873 80 04-00	Nut, Hex
19	581 90 21-01	Rope Guide	64	532 17 50-66	Mulcher Door
20	532 43 61-19	Foot Guard, C.E.	65	532 19 74-80	O-Ring
21	817 49 04-16	Screw, Tapping 1/4-20 x 1/2	66	532 08 83-48	Washer, Flat 1/2
24	---	Engine, Briggs, Model Number 124T02-0310-H1 (order parts from engine manufacturer)	69	532 18 27-48	Grip, Foam
25	532 15 04-06	Hex Head Thread Rolling Screw 3/8-16 x 1-1/8	96	532 19 79-91	Clip, Cable
26	532 40 91-48	Hex Flange Nut	98	872 25 05-05	Bolt
27	532 41 13-24	Wheel & Tire Assembly, Rear, 8"	--	532 18 21-91	Decal, Warning (not shown)
28	532 40 16-38	Shoulder Bolt 5/16-18 x .33	--	115 62 42-20	Operator's Manual, European
30	532 41 21-74	Axle Arm Assembly	--	115 62 42-10	Operator's Manual, Scandinavian
31	532 70 10-37	Selector Knob	--	115 62 42-50	Operator's Manual, E-Bloc
32	532 41 08-88	Selector Spring	--	115 62 42-40	Operator's Manual, Baltic
34	532 40 16-30	Washer, Curved, Cylindrical			

NOTE: All component dimensions given in U.S. inches. 1 inch = 25.4 mm. **IMPORTANT:** Use only Original Equipment Manufacturer (O.E.M.) replacement parts. Failure to do so could be hazardous, damage your lawn mower and void your warranty.

JONSERED ROTARY LAWN MOWER - MODEL NO. LM 2153CMDA (96141028700) PRODUCT NO. 961 41 02-87



JONSERED ROTARY LAWN MOWER - MODEL NO. LM 2153CMDA (96141028700) PRODUCT NO. 961 41 02-87

KEY NO.	PART NO.	DESCRIPTION	KEY NO.	PART NO.	DESCRIPTION
1	532 42 52-16	Drive Control Assembly (Includes Cable)	28	532 43 26-63	Drive Cover Assembly (Includes Mounting Screw and Pushnut)
6	532 18 16-98	Screw	29	532 19 41-49	V-Belt
7	532 40 07-23	Bracket, Drive	32	532 44 32-62	Drive Pulley
8	532 40 62-59	Cable Assembly, Drive	33	532 40 91-48	Locknut, Hex
11	532 40 25-67	Wheel & Tire Assembly	35	532 43 84-85	Kit, Wheel Adjuster, LH (Includes Knob and Bearing)
12	812 00 00-58	E-Ring	36	532 40 48-33	Gearcase Assembly, Complete
13	532 40 38-49	Pinion	38	873 80 04-00	Locknut, Hex 1/4-20
14	581 84 04-01	Dust Cover	40	532 40 65-58	Spring
15	532 40 48-45	Pawl, Drive	41	532 43 84-86	Kit, Wheel Adjuster, RH (Includes Knob and Bearing)
16	532 06 77-25	Washer 1/2 x 1-1/2 x .134	54	580 95 34-02	Grassbag Assembly
18	532 70 10-37	Selector Knob	57	532 41 19-50	Frame, Grassbag
25	532 43 17-11	Belt Keeper			
26	532 16 34-09	Screw			

5

NOTE: All component dimensions given in U.S. inches. 1 inch = 25.4 mm. **IMPORTANT:** Use only Original Equipment Manufacturer (O.E.M.) replacement parts. Failure to do so could be hazardous, damage your lawn mower and void your warranty.