

**ILLUSTRATED PARTS LIST**

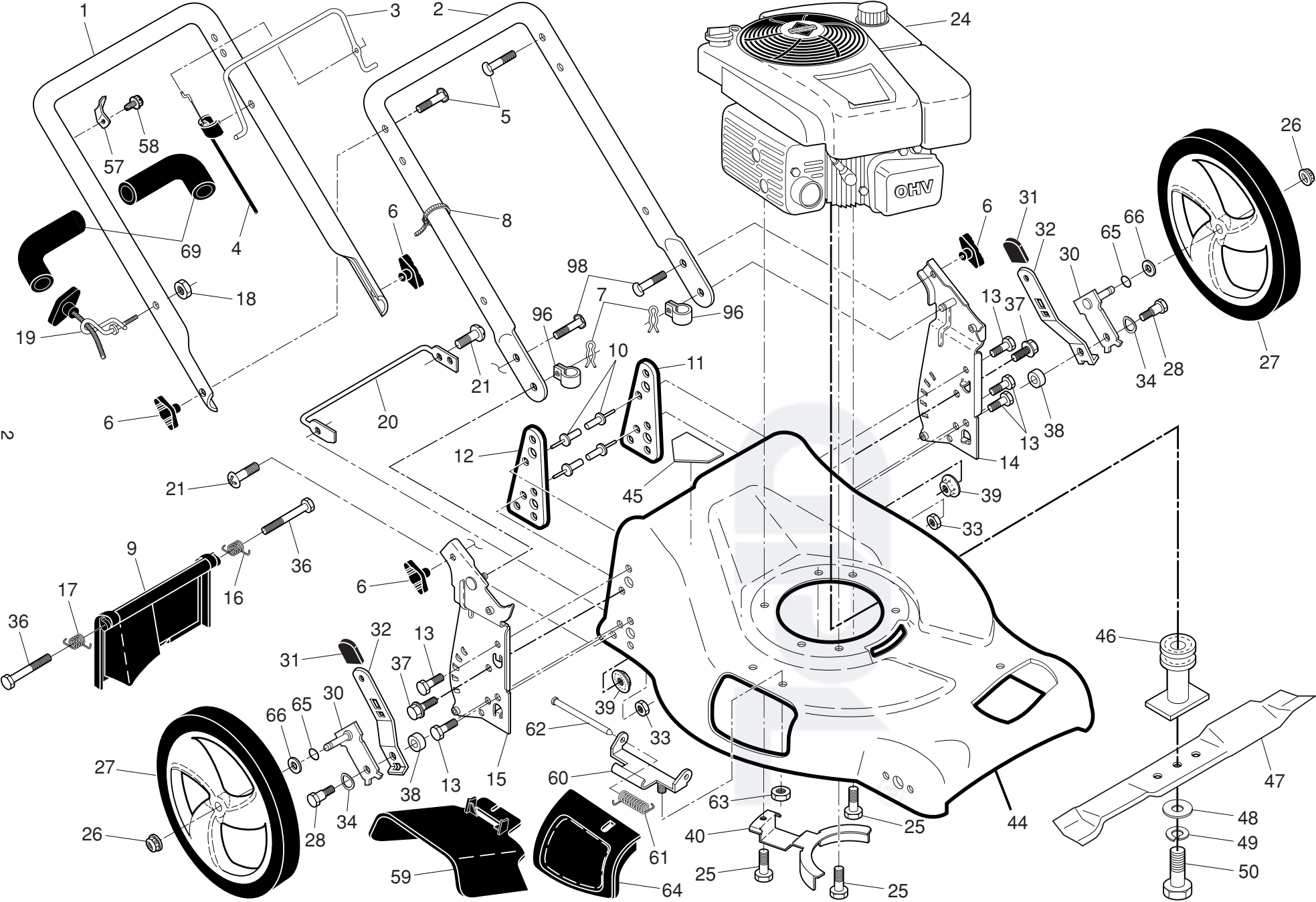
**MODEL NUMBER LM 2153CMDA**

**PRODUCT NUMBER 961 41 02-21**

**MFG. ID. NUMBER 96141022104**



**JONSERED ROTARY LAWN MOWER - MODEL NO. LM 2153CMDA (96141022104) PRODUCT NO. 961 41 02-21**

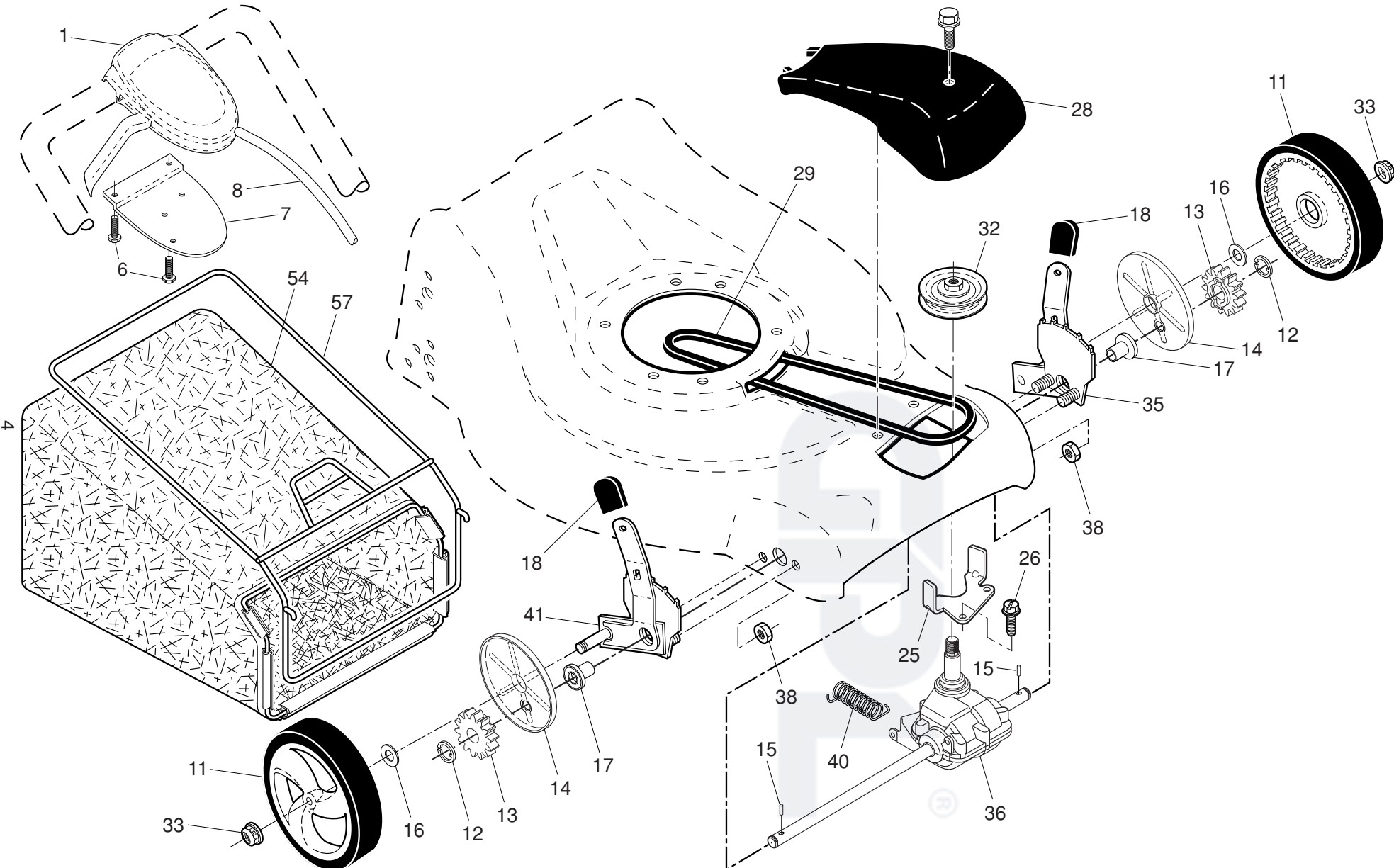


# JONSERED ROTARY LAWN MOWER - MODEL NO. LM 2153CMDA (96141022104) PRODUCT NO. 961 41 02-21

| KEY NO. | PART NO.     | DESCRIPTION   | KEY NO. | PART NO.            | DESCRIPTION   |
|---------|--------------|---|---------|---------------------|---|
| 1       | 532 18 45-76 | Upper Handle Assembly (Includes Foam Grip)  | 34      | 532 40 16-30        | Washer, Curved, Cylindrical   |
| 2       | 532 43 45-14 | Lower Handle  | 36      | 532 18 41-93        | Bolt  |
| 3       | 532 42 65-05 | Control Bar   | 37      | 874 78 05-12        | Thread Cutting Screw w/Sems 5/16-18 x 3/4                           |
| 4       | 532 41 53-50 | Engine Zone Control Cable   | 38      | 532 40 16-29        | Spacer  |
| 5       | 532 19 15-74 | Handle Bolt   | 39      | 532 15 53-77        | Nut, Hex, Flanged   |
| 6       | 532 19 19-38 | Handle Knob   | 40      | 532 43 50-59        | Belt Keeper   |
| 7       | 532 05 17-93 | Hairpin Cotter  | 44      | 532 43 90-57        | Kit, Lawn Mower Housing<br>(Includes Key Numbers 10, 11, 12 and 45) |
| 8       | 532 06 64-26 | Wire Tie  | 45      | 532 18 21-66        | Danger Decal  |
| 9       | 532 40 69-85 | Rear Door   | 46      | 532 43 22-79        | Blade Adapter / Pulley  |
| 10      | 532 12 84-15 | Pop Rivet   | 47      | 532 19 93-77        | Blade, 21"  |
| 11      | 532 41 05-40 | Support Bracket, LH   | 48      | 532 85 10-74        | Hardened Washer   |
| 12      | 532 41 05-42 | Support Bracket, RH   | 49      | 532 85 02-63        | Helical Washer 3/8-24 x 1-3/8 Grade 8                               |
| 13      | 817 06 04-10 | Screw 1/4-20 x 5/8  | 50      | 532 85 10-84        | Hex Head Machine Screw 3/8-24 x 1-3/8 Grade 8                       |
| 14      | 532 43 45-13 | Handle Bracket Assembly, LH   | 57      | 532 43 00-34        | Upstop Bracket  |
| 15      | 532 43 45-12 | Handle Bracket Assembly, RH   | 58      | <b>532 17 88-48</b> | Screw, Hex Washer Head #10-16 x 5/8                                 |
| 16      | 532 40 54-17 | Spring, Rear Door, LH   | 59      | 532 17 50-71        | Discharge Deflector   |
| 17      | 532 40 54-18 | Spring, Rear Door, RH   | 60      | 532 17 57-35        | Hinge Bracket   |
| 18      | 532 13 20-04 | Keps Locknut 1/4-20   | 61      | 532 19 30-00        | Spring, Hinge   |
| 19      | 532 19 47-88 | Rope Guide  | 62      | 532 17 56-50        | Hinge Rod   |
| 20      | 532 43 61-19 | Foot Guard, C.E.  | 63      | 873 80 04-00        | Nut, Hex  |
| 21      | 817 49 04-16 | Screw, Tapping 1/4-20 x 1/2   | 64      | 532 17 50-66        | Mulcher Door  |
| 24      | ---          | Engine, Briggs, Model Number <b>125902-0110-H1</b> (order parts from engine manufacturer) | 65      | 532 19 74-80        | O-Ring  |
| 25      | 532 15 04-06 | Hex Head Thread Rolling Screw 3/8-16 x 1-1/8  | 66      | 532 08 83-48        | Washer, Flat 1/2  |
| 26      | 532 40 91-49 | Hex Flange Nut  | 69      | 532 18 27-48        | Grip, Foam  |
| 27      | 532 43 27-47 | Wheel & Tire Assembly, Rear, 12"  | 96      | 532 19 79-91        | Clip, Cable   |
| 28      | 532 40 16-38 | Shoulder Bolt 5/16-18 x .33   | 98      | 872 25 05-05        | Bolt  |
| 30      | 532 41 31-41 | Axle Arm Assembly   | --      | 532 43 16-73        | Operator's Manual, European   |
| 31      | 532 70 10-37 | Selector Knob   | --      | 532 43 16-74        | Operator's Manual, Scandinavian                                     |
| 32      | 532 40 98-89 | Selector Spring   | --      | 532 43 16-77        | Operator's Manual, E-Bloc   |
| 33      | 873 80 05-00 | Nut, Hex 5/16-18  | --      | 532 43 16-75        | Operator's Manual, Baltic   |

**NOTE:** All component dimensions given in U.S. inches. 1 inch = 25.4 mm. **IMPORTANT:** Use only Original Equipment Manufacturer (O.E.M.) replacement parts. Failure to do so could be hazardous, damage your lawn mower and void your warranty.

**JONSERED ROTARY LAWN MOWER - MODEL NO. LM 2153CMDA (96141022104) PRODUCT NO. 961 41 02-21**



# JONSERED ROTARY LAWN MOWER - MODEL NO. **LM 2153CMDA** (96141022104) PRODUCT NO. 961 41 02-21

| KEY NO. | PART NO.            | DESCRIPTION                             | KEY NO. | PART NO.            | DESCRIPTION  |
|---------|---------------------|---|---------|---------------------|--|
| 1       | 532 42 52-16        | Drive Control Assembly (Includes Cable) | 26      | 532 16 34-09        | Screw  |
| 6       | 532 18 16-98        | Screw                                   | 28      | 532 43 26-62        | Drive Cover Assembly (Includes Mounting Screw and Pushnut) |
| 7       | 532 40 07-23        | Bracket, Drive                          | 29      | 532 19 41-49        | V-Belt   |
| 8       | 532 40 62-59        | Cable Assembly, Drive                   | 32      | <b>532 44 32-62</b> | Drive Pulley   |
| 11      | 532 40 25-67        | Wheel & Tire Assembly                   | 33      | 532 40 91-48        | Locknut, Hex   |
| 12      | 812 00 00-58        | E-Ring                                  | 35      | 532 43 84-85        | Kit, Wheel Adjuster, LH (Includes Knob and Bearing)        |
| 13      | 532 40 38-49        | Pinion                                  | 36      | 532 40 48-33        | Gearcase Assembly, Complete                                |
| 14      | 532 18 94-03        | Dust Cover                              | 38      | 873 80 04-00        | Locknut, Hex 1/4-20  |
| 15      | 532 40 48-45        | Pawl, Drive                             | 40      | 532 40 65-58        | Spring   |
| 16      | 532 06 77-25        | Washer 1/2 x 1-1/2 x .134               | 41      | 532 43 84-86        | Kit, Wheel Adjuster, RH (Includes Knob and Bearing)        |
| 17      | 532 42 18-36        | Bearing Assembly, Wheel Adjuster        | 54      | 532 19 48-53        | Grassbag Assembly  |
| 18      | 532 70 10-37        | Selector Knob                           | 57      | 532 41 19-50        | Frame, Grassbag  |
| 25      | <b>532 43 17-11</b> | Belt Keeper                             |         |                     |  |

5

**NOTE:** All component dimensions given in U.S. inches. 1 inch = 25.4 mm. **IMPORTANT:** Use only Original Equipment Manufacturer (O.E.M.) replacement parts. Failure to do so could be hazardous, damage your lawn mower and void your warranty.