

# LM2153CMD

Spare parts

Ersatzteile

Pièces détachées

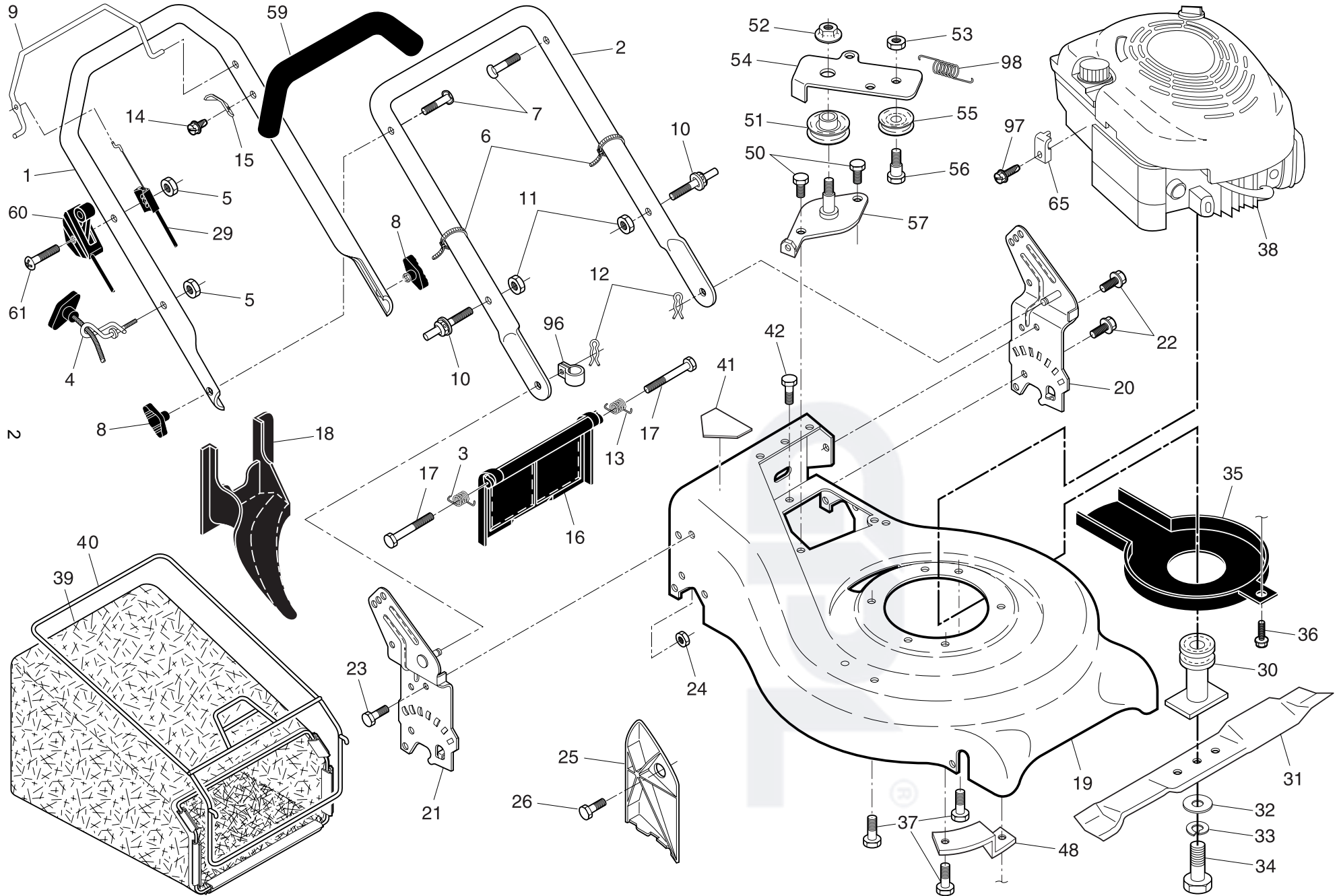
Reserve onderdelen

Repuestos

Reservdelar

GPL®

# ROTARY LAWN MOWER - - MODEL NUMBER LM2153CMD (96141010101) PRODUCT NUMBER 961 41 01-01



# ROTARY LAWN MOWER - - MODEL NUMBER LM2153CMD (96141010101) PRODUCT NUMBER 961 41 01-01

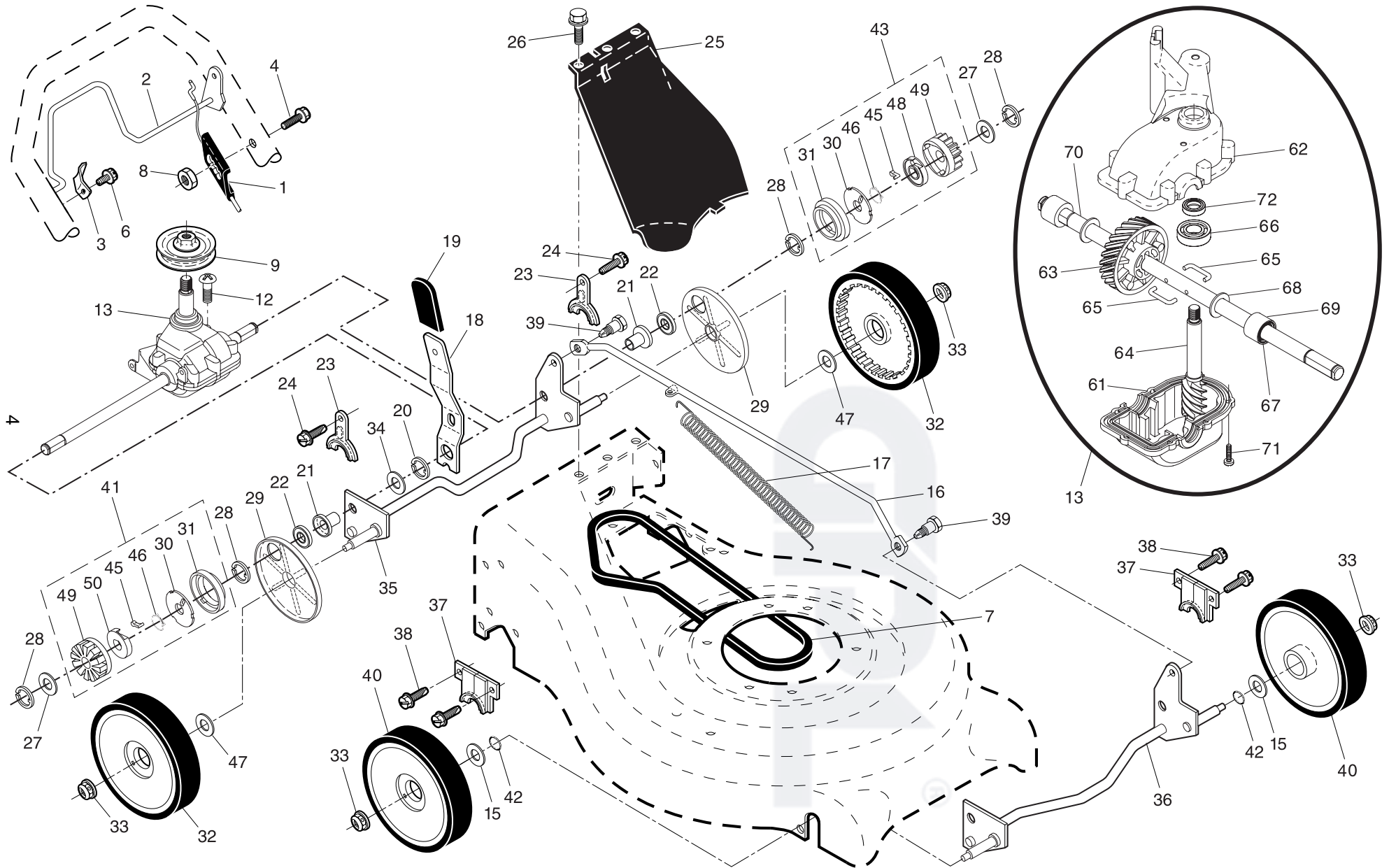
KEY NO.	PART NO.	DESCRIPTION
1	532 16 71-63	Handle, Upper (Includes Foam Grip)
2	532 19 60-05	Handle, Lower
3	532 40 54-16	Spring, Rear Door, RH
4	532 19 47-88	Guide, Rope, Side
5	532 13 20-04	Nut, Hex, with Lockwasher Insert 1/4-20
6	532 06 64-26	Wire, Tie
7	532 19 15-74	Bolt, Handle 5/16-18 x 1.75
8	532 19 19-38	Knob, Handle
9	532 19 18-19	Bail, Control, Wire, Deluxe Comfort, Black
10	532 18 88-21	Bolt, Carriage
11	532 75 11-53	Nut, Hex, with Lockwasher Insert 5/16-18 UNC
12	532 05 17-93	Cotter, Hairpin
13	532 40 54-15	Spring, Rear Door, LH
14	532 75 06-34	Screw, Tapping, Hex Washer Head #10-24
15	532 12 51-62	Bracket, Upstop
16	532 40 88-88	Rear Door Assembly
17	532 18 41-93	Bolt, Rear Door
18	532 19 81-70	Plug, Mulcher
19	532 40 80-84	Kit, Lawn Mower Housing
20	532 19 40-29	Handle Bracket Assembly, LH
21	532 19 40-31	Handle Bracket Assembly, RH
22	532 15 00-78	Screw, Hex Washer Head
23	532 16 31-83	Bolt, Hex Head 5/16-18 x 5/8
24	873 80 05-00	Nut, Hex, with Lockwasher Insert 5/16-18
25	532 16 13-33	Baffle, Side
26	532 16 34-09	Screw #12 x 5/8
29	532 13 31-07	Cable, Operator Presence
30	532 18 91-79	Adapter, Blade
31	532 19 93-77	Blade, 21"
32	532 85 10-74	Washer, Hardened

KEY NO.	PART NO.	DESCRIPTION
33	532 85 02-63	Lockwasher, Helical Spring 3/8
34	532 85 10-84	Screw, Hex Head 3/8-24 x 1.38
35	532 18 87-86	Shield, Debris
36	532 19 23-25	Screw
37	532 15 04-06	Bolt, Engine
38	- - -	Engine, Briggs & Stratton, Model No. 128802 (Order parts from engine manufacturer)
39	532 41 06-84	Bag, Grass Catcher
40	532 40 74-53	Frame, Grass Bag
41	532 18 21-66	Decal Danger
42	532 05 45-83	Screw, Self Tapping
48	532 19 09-39	Mounting Bracket, Debris Shield
50	532 05 78-08	Screw
51	532 19 37-91	Pulley, Idler
52	532 14 52-12	Nut, Hex
53	532 15 55-52	Nut, Hex
54	532 19 68-12	Idler Arm
55	532 16 60-43	Idler Pulley
56	532 16 08-29	Bolt
57	532 19 33-15	Idler Bracket
59	532 16 42-65	Foam Grip
60	532 18 21-54	Throttle Control
61	532 18 33-65	Screw
65	532 11 11-90	Clamp, Cable
96	532 19 79-91	Clip, Cable
97	532 08 38-16	Screw
98	532 40 65-58	Spring, Return
--	532 18 21-34	Warning Decal (not shown)
--	532 40 23-51	Operator's Manual, European
--	532 40 23-52	Operator's Manual, Scandinavian
--	532 40 34-11	Operator's Manual, Baltic

**NOTE:** All component dimensions given in U.S. inches. 1 inch = 25.4 mm

**IMPORTANT:** Use only Original Equipment Manufacturer (O.E.M.) replacement parts. Failure to do so could be hazardous, damage your lawn mower and void your warranty.

**ROTARY LAWN MOWER - - MODEL NUMBER LM2153CMD (961410101) PRODUCT NUMBER 961 41 01-01**



# ROTARY LAWN MOWER - - MODEL NUMBER LM2153CMD (96141010101) PRODUCT NUMBER 961 41 01-01

KEY NO.	PART NO.	DESCRIPTION	KEY NO.	PART NO.	DESCRIPTION
1	532 40 98-95	Cable, Drive	33	532 40 91-48	Nut, Hex, Flangelock
2	532 16 14-73	Bail, Control, Drive	34	532 85 12-26	Washer
3	532 16 45-57	Bracket, Downstop	35	532 41 09-22	Shaft Assembly, Rear
4	532 19 96-87	Screw	36	532 41 09-33	Shaft Assembly, Front
6	532 75 06-34	Screw, Tapping, Hex Washer Head #10-24	37	532 16 14-63	Retainer, Front Shaft
7	532 18 22-12	V-Belt	38	532 16 34-09	Screw, Hi-Lo Thread #12 x 5/8
8	532 19 17-30	Nut	39	532 40 70-59	Clip, Retainer
9	532 19 41-28	Pulley, Driven	40	532 40 25-66	Wheel & Tire Assembly, Front
12	<b>532 18 76-53</b>	Screw	41	532 18 83-30	Pinion Assembly, RH
13	532 18 86-45	Gearcase Assembly, Complete	42	532 19 74-80	O-Ring
15	532 08 83-48	Washer, Flat 3/8	43	532 18 83-31	Pinion Assembly, LH
16	532 40 71-47	Rod, Connecting	45	532 17 50-98	Drive Pawl
17	532 40 96-16	Spring, Extension	46	532 18 82-91	Spring Torsion
18	532 19 61-62	Spring, Selector	47	532 06 77-25	Washer 1/2 x 1-1/2 x .134
19	532 19 00-69	Knob, Selector Spring	48	532 17 51-05	Retainer Dr., LH
20	812 00 00-22	E-Ring 7/8	49	532 17 51-03	Gear
21	532 16 33-65	Bearing Support	50	532 17 51-02	Retainer Dr., RH
22	532 16 99-11	Bearing, Ball	61	532 18 75-30	Case, Lower
23	532 16 45-55	Retainer, Drive Assembly	62	532 18 75-31	Case, Lower
24	532 05 78-08	Screw, Tapping, Hex Head 1/4-20 x .75	63	532 18 75-32	Gear, 24 Teeth
25	532 40 28-07	Cover, Drive	64	532 18 75-33	Shaft, Input
26	532 75 06-34	Screw, Threaded, Rolled #10-25 x .50	65	532 18 35-05	Wire, Formed
27	<b>532 05 21-60</b>	Washer, Shim (as required)	66	532 18 35-06	Bearing, Ball
28	812 00 00-58	E-Ring 7/16	67	532 18 35-08	Seal, Output Shaft
29	532 18 94-03	Cover, Dust, Wheel	68	532 18 35-09	Washer
30	532 17 51-04	Disc Drive	69	532 18 35-11	Bushing
31	532 18 41-72	Seal Friction	70	532 19 12-49	Shaft, Output
32	532 40 25-67	Wheel & Tire Assembly, Rear, Driven	71	532 18 35-13	Screw
			72	532 18 35-14	Seal, Input Shaft

**NOTE:** All component dimensions given in U.S. inches. 1 inch = 25.4 mm

**IMPORTANT:** Use only Original Equipment Manufacturer (O.E.M.) replacement parts. Failure to do so could be hazardous, damage your lawn mower and void your warranty.