

LM2153 CMD

Spare parts

Ersatzteile

Pièces détachées

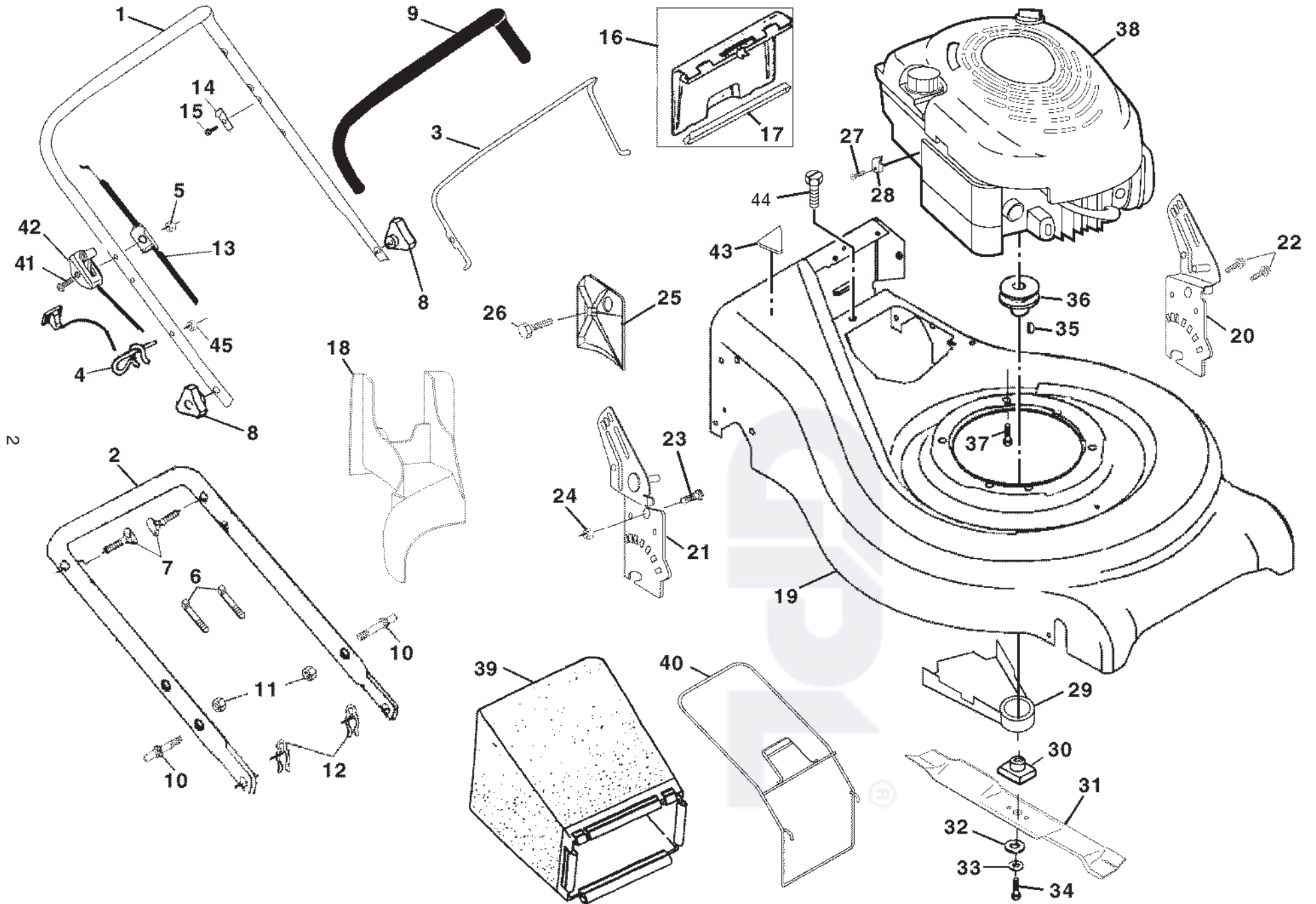
Reserve onderdelen

Repuestos

Reservdelar

GPL®

ROTARY LAWN MOWER - - MODEL NUMBER LM2153CMD (J2153CMD) PRODUCT NUMBER 954 13 02-20



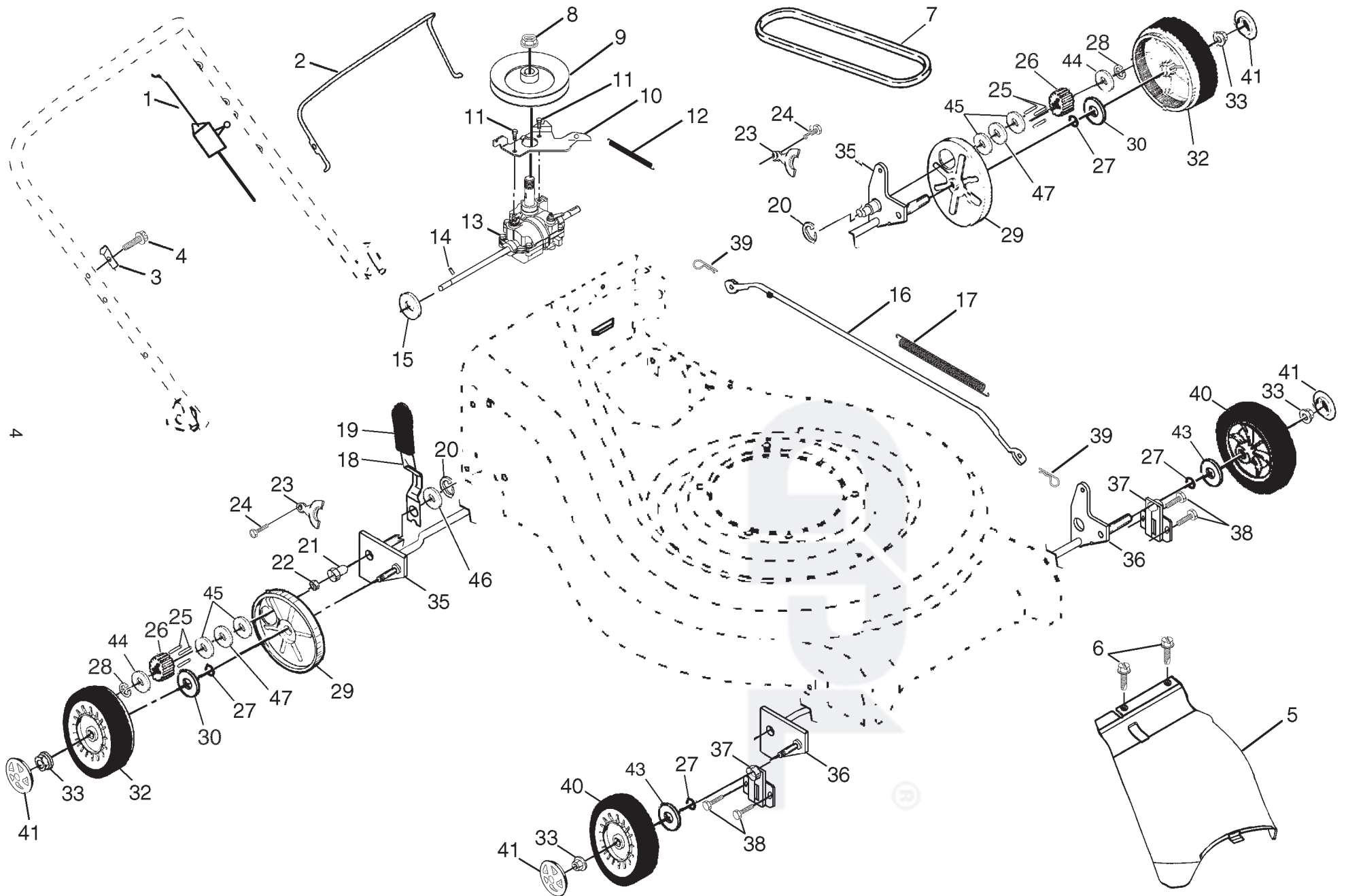
ROTARY LAWN MOWER - - MODEL NUMBER LM2153CMD (J2153CMDB) PRODUCT NUMBER 954 13 02-20

KEY NO.	PART NO.	DESCRIPTION
1	532 16 71-63	Handle, Upper, Deluxe Comfort
2	532 16 45-56	Handle, Lower
3	532 18 87-68	Bail, Control, Wire, Deluxe Comfort
4	532 17 95-85	Guide, Rope, Side
5	532 13 20-04	Nut, Hex, with Lockwasher Insert 1/4-20
6	532 06 64-26	Wire, Tie
7	532 13 19-59	Bolt, Handle 5/16-18 x 1.75
8	532 08 76-92	Knob, Handle
9	532 16 42-65	Grip, Handle, Foam, Smooth
10	532 16 15-51	Bolt, Carriage
11	873 99 05-00	Nut, Hex, with Lockwasher Insert 5/16-18 UNC
12	532 05 17-93	Cotter, Hairpin
13	532 13 31-07	Cable, MZR
14	532 12 51-62	Bracket, Upstop
15	532 75 06-34	Screw, Tapping, Hex Washer Head #10-24
16	532 16 20-85	Kit, Rear Door
17	532 18 90-59	Seal, Rear Door
18	532 18 27-78	Plug, Mulcher
19	532 16 34-24	Kit, Housing
20	532 16 45-48	Handle Bracket Assembly, Left
21	532 16 93-06	Handle Bracket Assembly, Right
22	532 15 00-78	Screw, Hex Washer Head
23	532 16 31-83	Bolt, Hex Head 5/16-18 x 5/8
24	873 80 05-00	Nut, Hex, with Lockwasher Insert 5/16-18
25	532 16 13-33	Baffle, Side
26	532 16 34-09	Screw #12 x 5/8

KEY NO.	PART NO.	DESCRIPTION
27	532 75 06-34	Screw
28	532 11 11-90	Cable Clamp
29	532 18 20-02	Shield, Debris
30	532 18 45-90	Adapter, Blade
31	532 17 50-52	Blade, 21"
32	532 85 10-74	Washer, Hardened
33	532 85 02-63	Lockwasher, Helical Spring 3/8
34	532 85 10-84	Screw, Hex Head 3/8-24 x 1.38
35	532 18 49-41	Pulley, Engine
36	532 18 77-23	Key, Hi-Pro
37	532 15 04-06	Bolt, Engine
38	- - -	Engine, Briggs & Stratton, Model Number 123K02 (Order parts from engine manufacturer)
39	532 18 36-32	Grass Bag
40	532 18 00-26	Frame, Grass Bag
41	532 18 33-65	Screw
42	532 18 21-54	Throttle Control
43	532 18 21-66	Decal, Danger
44	532 05 45-83	Self-Tapping Screw
45	532 13 20-04	Nut, Hex
--	532 18 21-34	Warning Decal
--	532 19 06-66	Operator's Manual, European
--	532 19 06-67	Operator's Manual, Scandinavian

NOTE: All component dimensions given in U.S. inches.
1 inch = 25.4 mm

ROTARY LAWN MOWER - - MODEL NUMBER LM2153CMD (J2153CMDDB) PRODUCT NUMBER 954 13 02-20



ROTARY LAWN MOWER - - MODEL NUMBER LM2153CMD (J2153CMDB) PRODUCT NUMBER 954 13 02-20

KEY NO.	PART NO.	DESCRIPTION
1	532 18 76-26	Cable, Drive
2	532 16 14-73	Bail, Control, Drive
3	532 16 45-57	Bracket, Downstop
4	532 75 06-34	Screw, Tapping, Hex Washer Head #10-24
5	532 16 15-37	Cover, Drive
6	532 75 06-34	Screw, Threaded, Rolled #10-25 x .50
7	532 16 08-16	V-Belt
8	532 13 20-10	Nut, Hex, Flangelock, Zinc Plated 3/8-16
9	532 16 39-39	Pulley, Driven
10	532 16 45-53	Belt Keeper
11	817 54 10-11	Screw, Hex Washer Head #10-24 x .668
12	532 18 76-27	Spring
13	532 16 96-11	Gearcase Assembly (See Breakdown)
14	532 14 53-54	Pin, Spring, Thrust
15	532 05 70-79	Washer, Hardened
16	532 16 15-84	Rod, Connecting
17	532 16 16-02	Spring, Extension
18	532 16 45-54	Spring, Selector
19	532 16 19-61	Knob, Selector Spring
20	812 00 00-22	E-Ring 7/8
21	532 16 33-65	Bearing, Support
22	532 16 99-11	Bearing, Ball
23	532 16 45-55	Retainer, Drive Assembly, Stamped

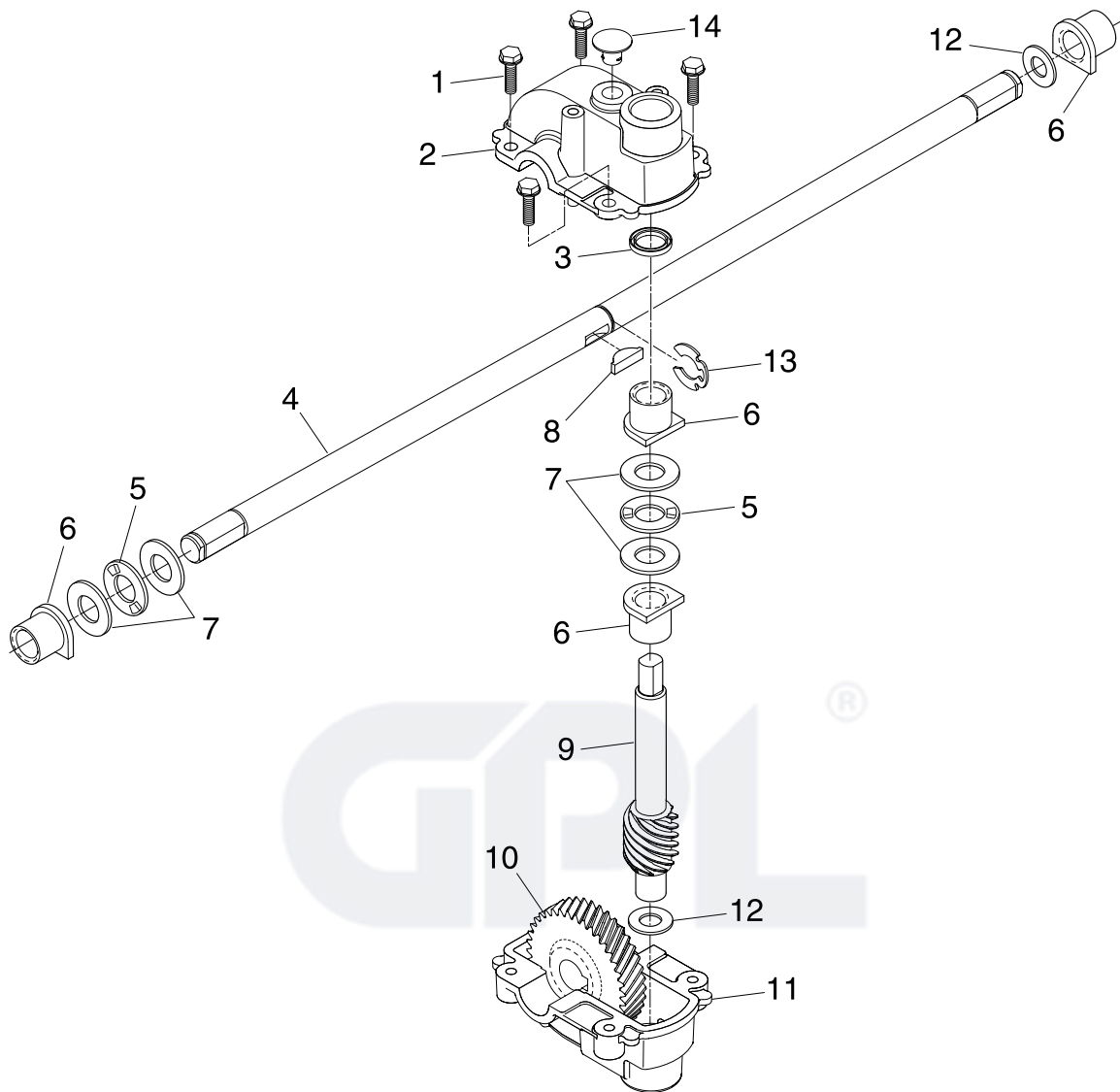
KEY NO.	PART NO.	DESCRIPTION
24	532 05 78-08	Screw, Tapping, Hex Head 1/4-20 x .75
25	532 17 00-11	Drive Pawl
26	532 16 64-50	Pinion, Drive
27	532 18 81-52	O-Ring
28	812 00 00-58	E-Ring 7/16
29	532 18 05-04	Cover, Dust, Wheel
30	532 06 77-25	Washer 1/2 x 1-1/2 x .134
32	532 18 07-53	Wheel 9 x 2
33	532 08 39-23	Nut, Hex, Flangelock
35	532 16 45-52	Shaft Assembly, Rear
36	532 16 45-50	Shaft Assembly, Front
37	532 16 14-63	Retainer, Front Shaft
38	532 16 34-09	Screw #12 x 5/8
39	532 70 02-79	Clip, Retainer
40	532 14 35-93	Wheel 8 x 2
41	532 15 01-82	Hubcap
43	532 08 83-48	Washer, Flat 3/8
44	532 05 21-60	Washer
45	532 06 23-35	Belleville Washer 1/2
46	819 57 22-16	Washer
47	532 08 81-18	Felt Washer

NOTE: All component dimensions given in U.S. inches.
1 inch = 25.4 mm

ROTARY LAWN MOWER - - MODEL NUMBER LM2153CMD (J2153CMDDB)

PRODUCT NUMBER 954 13 02-20

GEARCASE ASSEMBLY - PART NUMBER 532 16 96-11



KEY NO.	PART NO.	DESCRIPTION
1	817 54 10-11	Screw, Tapping #10-24 x .668
2	532 16 06-72	Gear Case, Upper
3	532 05 70-72	Seal
4	532 16 96-11	Drive Shaft
5	532 16 08-18	Bearing, Needle, Thrust
6	532 07 78-81	Bearing
7	532 16 08-17	Washer, Thrust
8	532 85 08-48	Key, Hi-pro
9	532 16 06-78	Shaft, Worm
10	532 16 06-79	Gear, Helical
11	532 16 06-73	Gear Case, Lower
12	532 05 70-79	Washer, Hardened
13	812 00 00-39	E-Ring
14	532 08 64-47	Plug
--	532 75 03-69	Grease
--	532 17 45-35	Kit, Gearcase Replacement (Includes Grease)

NOTE: All component dimensions given in U.S. inches.
1 inch = 25.4 mm