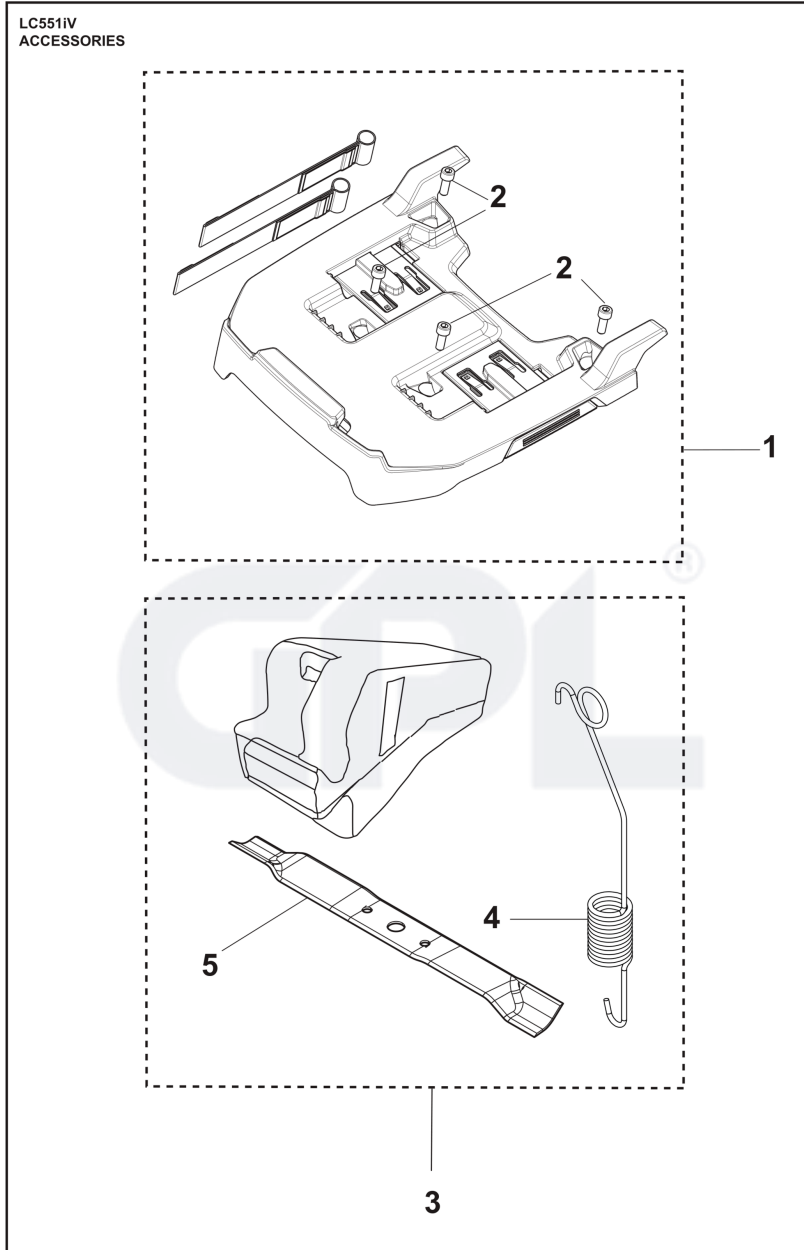




2025-10-03

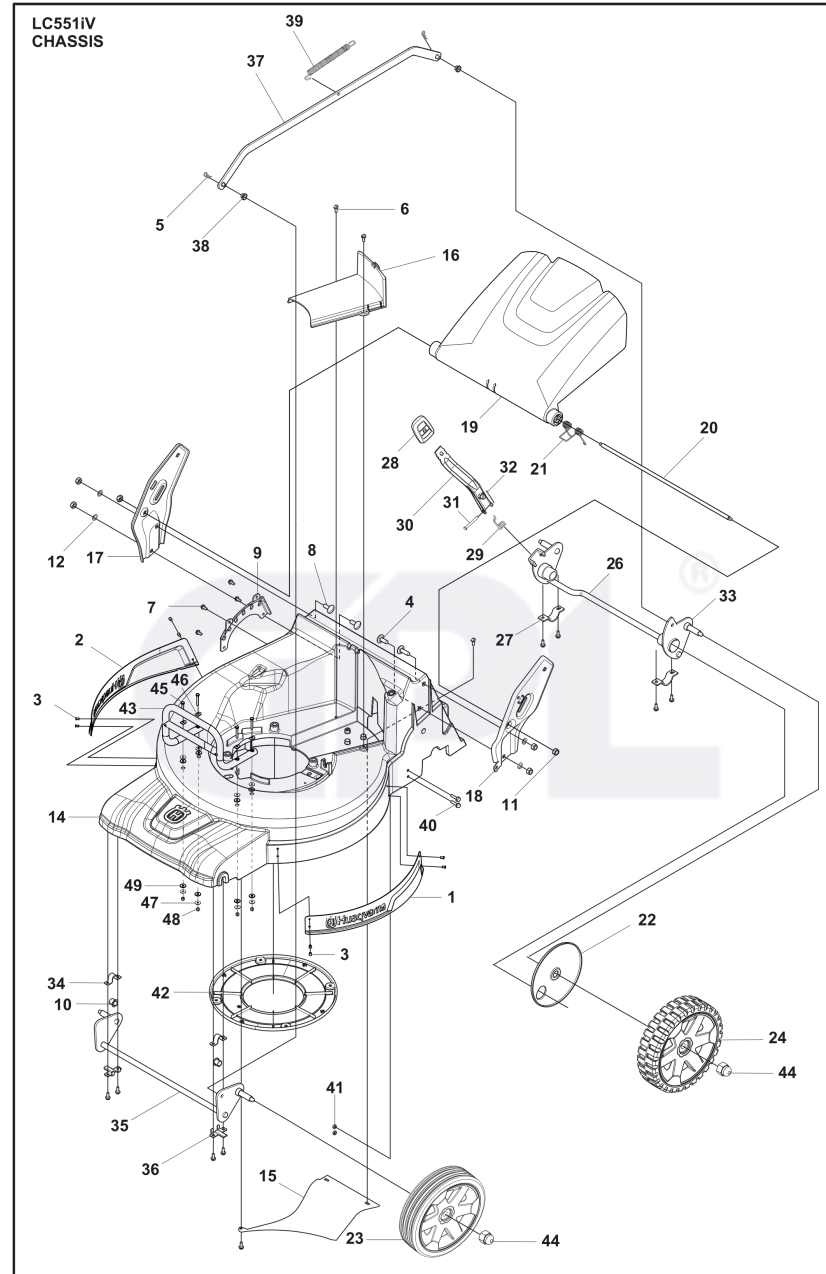
Husqvarna LC 551iV





| Referens | Art.nr | Artikelnamn | Mängd | Kommentar |
|----------|-----------|---------------|-------|-----------|
| 1 | 597848701 | ADAPTERPLATTA | 1 | |
| 2 | 725536856 | SKRUV IHSCM | 4 | |
| 3 | 597413701 | MULCH KIT | 1 | |
| 4 | 531205831 | MULCHPLUGG | 1 | |
| 5 | 597466410 | KNIV | 1 | |



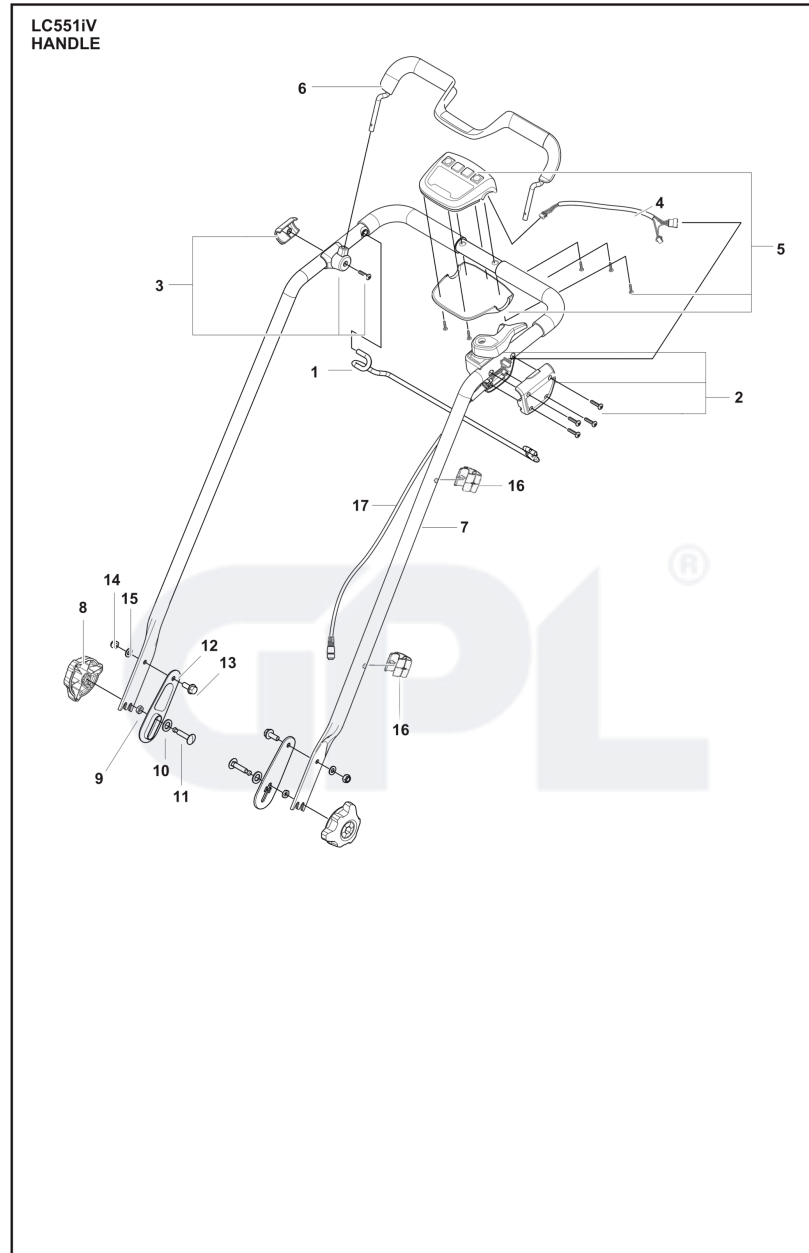


| Referens | Art.nr | Artikelnamn | Mängd | Kommentar |
|----------|-----------|-------------|-------|-----------|
| 1 | 582229001 | STÖTFÅNGARE | 1 | |
| 2 | 582229002 | STÖTFÅNGARE | 1 | |
| 3 | 722785402 | NIT | 8 | |
| 4 | 531204921 | SCREW | 1 | |
| 5 | 531206653 | TAPP | 2 | |
| 6 | 531207385 | SCREW | 13 | |
| 7 | 531207856 | SCREW | 4 | |
| 8 | 588877501 | SCREW | 3 | M8 X 20 |
| 9 | 589934901 | HÖJDREGLAGE | 1 | |
| 10 | 590373601 | BUSSNING | 2 | |
| 11 | 732211801 | LOCK NUT | 6 | M8 |

| | | | |
|----|-----------|-----------|---|
| 12 | 734116401 | BRICKA | 4 |
| 14 | 587197504 | CHASSI | 1 |
| 15 | 501966001 | DEFLEKTOR | 1 |
| 16 | 531213225 | KÅPA | 1 |
| 17 | 587196702 | STÖDBYGEL | 1 |
| 18 | 587196802 | STÖDBYGEL | 1 |
| 19 | 587197202 | LUCKA | 1 |
| 20 | 587197301 | STÅNG | 1 |
| 21 | 501322501 | FJÄDER | 1 |
| 22 | 587197901 | DAMMSKYDD | 2 |
| 23 | 536619701 | HJUL KPL | 2 |
| 24 | 536619601 | HJUL KPL | 2 |

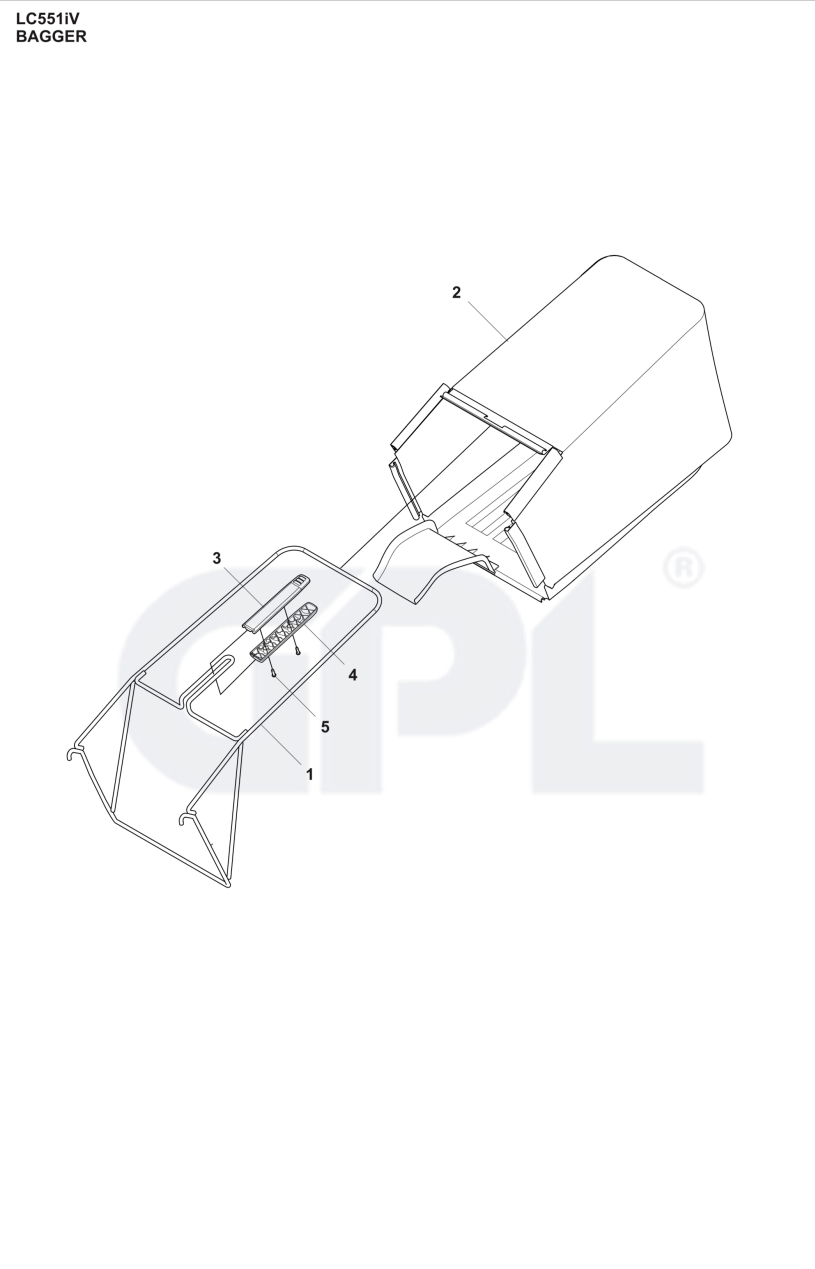
| | | | |
|----|-----------|-------------|---|
| 26 | 587198002 | AXEL | 1 |
| 27 | 531206652 | STÖD | 2 |
| 28 | 581746701 | KNOPP | 1 |
| 29 | 583951302 | FJÄDER | 1 |
| 30 | 581178602 | HÄVARM KPL. | 1 |
| 31 | 587198202 | TAPP | 1 |
| 32 | 587198401 | TAPP | 1 |
| 33 | 584404601 | KULLAGER | 2 |
| 34 | 501078901 | STÖD | 2 |
| 35 | 587198101 | AXEL | 1 |
| 36 | 591162601 | STÖD | 2 |
| 37 | 587198501 | STÅNG | 1 |

| | | | | |
|----|-----------|-------------------|---|---------------|
| 38 | 501622501 | BUSHING | 2 | |
| 39 | 531205715 | FJÄDER | 1 | |
| 40 | 725233151 | SCREW | 2 | |
| 41 | 732251401 | HEXAGON LÅSMUTTER | 2 | M5 |
| 42 | 582866701 | KOPPLINGSKÅPA | 1 | |
| 43 | 599233102 | SKYDD | 1 | For 970626001 |
| 44 | 536706801 | MUTTER | 1 | |
| 45 | 725237871 | SKRUV EHHM | 4 | For 970626001 |
| 46 | 514026600 | BRICKA | 4 | For 970626001 |
| 47 | 504459901 | BRICKA | 8 | For 970626001 |
| 48 | 732211601 | LOCK NUT | 4 | For 970626001 |
| 49 | 506559701 | BRICKA | 8 | For 970626001 |



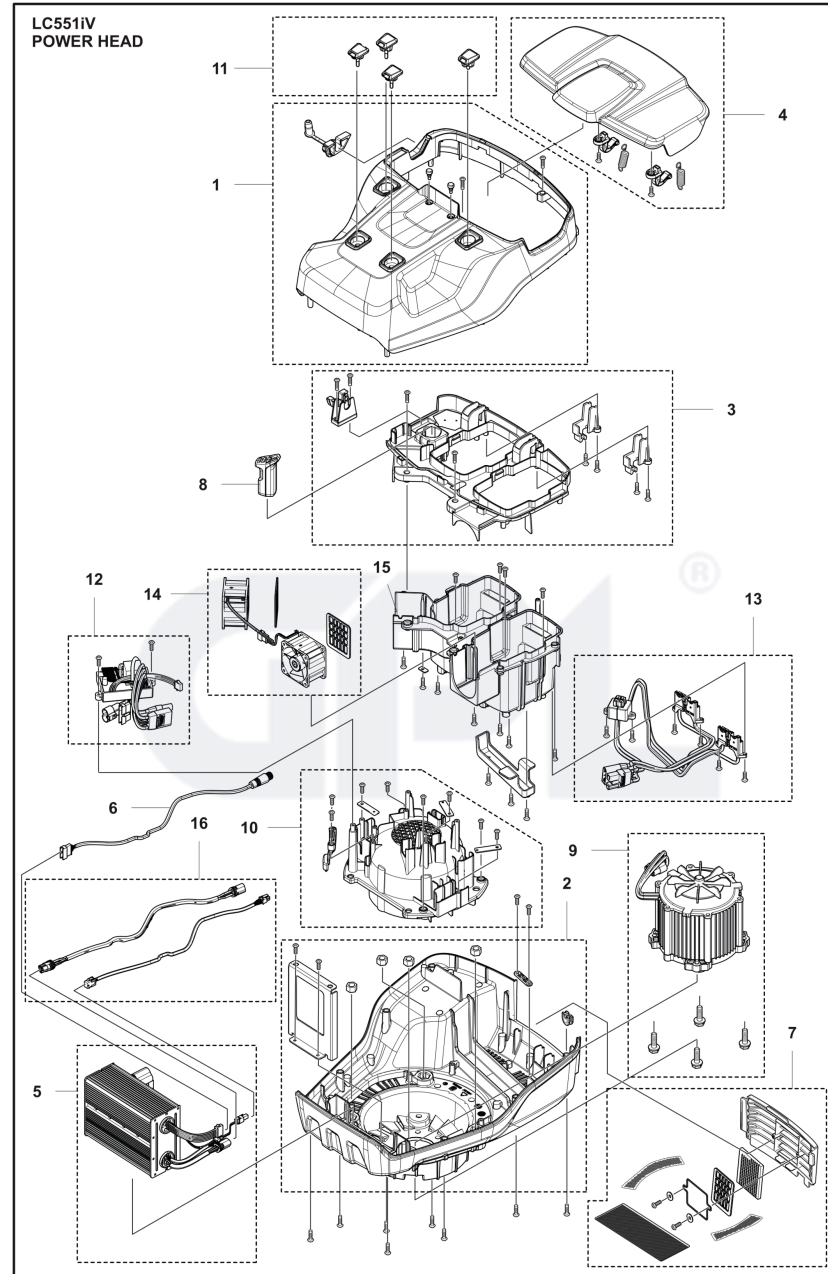
| Referens | Art.nr | Artikelnamn | Mängd | Kommentar |
|----------|-----------|---------------------|-------|-----------------------|
| 1 | 591104601 | BYGEL | 1 | |
| 2 | 593118001 | SWITCHBOX ASSY | 1 | Up to S/N 20223200004 |
| 2 | 593118004 | SWITCHBOX ASSY | 1 | From S/N 20223200005 |
| 3 | 593118701 | SUPPORT ASSY | 1 | |
| 4 | 593198601 | FÖRLÄNGNINGSKABEL | 1 | |
| 5 | 596253006 | KONTROLLPANEL | 1 | |
| 6 | 596253601 | BYGEL | 1 | |
| 7 | 597422001 | STYRE KPL | 1 | |
| 8 | 587237201 | KNOPP | 2 | |
| 9 | 731431801 | HEXAGON TUNN MUTTER | 2 | |
| 10 | 588157401 | BRICKA | 2 | |

| | | | | |
|----|-----------|--------------|---|-----------------------|
| 11 | 588157302 | BULT | 2 | |
| 12 | 587780401 | BRICKA | 2 | |
| 13 | 506570104 | SKRUV EHHFM | 2 | |
| 14 | 732211801 | LOCK NUT | 2 | |
| 15 | 734182051 | BRICKA | 2 | |
| 16 | 591086401 | KABELHÅLLARE | 2 | |
| 17 | 597688701 | KABEL | 1 | Up to S/N 20223200004 |
| 17 | 597688702 | KABEL | 1 | From S/N 20223200005 |



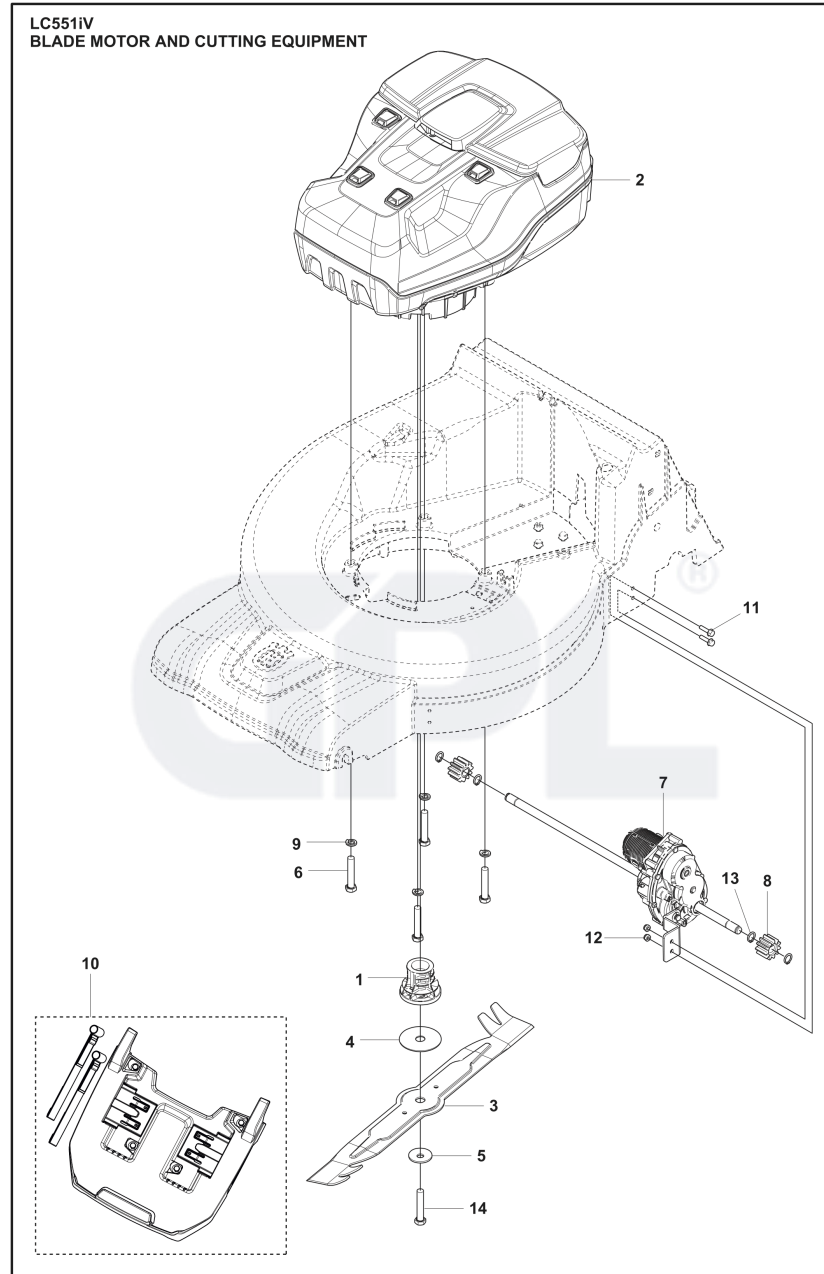
| Referens | Art.nr | Artikelnamn | Mängd | Kommentar |
|----------|-----------|---------------|-------|-----------|
| 1 | 587197001 | SÄCKRAM | 1 | |
| 2 | 587197101 | VÄSKA | 1 | |
| 3 | 588188402 | HANDTAG | 1 | |
| 4 | 588188502 | HANDTAG | 1 | |
| 5 | 502435301 | SKRUV ITXPANT | 2 | |





| Referens | Art.nr | Artikelnamn | Mängd | Kommentar |
|----------|-----------|-------------|-------|-----------------------|
| 1 | 597937701 | KÅPA | 1 | |
| 2 | 597937801 | KÅPA | 1 | |
| 3 | 598563801 | BATTERILÅDA | 1 | BATTERY BOX UPPER |
| 4 | 598563901 | LID ASSY | 1 | |
| 5 | 598538201 | MANÖVERDON | 1 | Up to S/N 20223200004 |
| 5 | 598538207 | MANÖVERDON | 1 | From S/N 20223200005 |
| 6 | 598564301 | KABELSATS | 1 | Up to S/N 20223200004 |
| 6 | 598564304 | KABELSATS | 1 | From S/N 20223200005 |
| 7 | 597958201 | AVGASKÅPA | 1 | |
| 8 | 598564101 | TANGENT | 1 | |
| 9 | 597757501 | MOTOR KPL | 1 | 1500W, 36V |

| | | | | |
|----|-----------|-----------------|---|--------------------|
| 10 | 598564001 | MOTORKÅPA | 1 | |
| 11 | 598564201 | PLUG KIT | 1 | |
| 12 | 598539001 | ELECTRIC MODULE | 1 | |
| 13 | 598744601 | BATTERILÅDA | 1 | BATTERY BOX WIRING |
| 14 | 598744501 | BATTERILÅDA | 1 | BATTERY BOX FANS |
| 15 | 598744401 | BATTERILÅDA | 1 | BATTERY BOX LOWER |
| 16 | 598564401 | KABEL | 1 | |
| 17 | 599320001 | INSUGSLUCKA | 1 | FILTER |



| Referens | Art.nr | Artikelnamn | Mängd | Kommentar |
|----------|-----------|--------------|-------|-----------------------|
| 1 | 501882802 | KNIVFÄSTE | 1 | |
| 2 | 597422701 | DRIVENHET | 1 | Up to S/N 20223200004 |
| 2 | 597422707 | DRIVENHET | 1 | From S/N 20223200005 |
| 3 | 597466301 | KNIV | 1 | |
| 4 | 503259401 | BRICKA | 1 | |
| 5 | 503332501 | FJÄDER | 1 | |
| 6 | 504456403 | SCREW EHHI | 3 | |
| 7 | 597465201 | TRANSMISSION | 1 | Up to S/N 20223200004 |
| 7 | 599692201 | TRANSMISSION | 1 | From S/N 20223200005 |
| 8 | 544342301 | DREV | 2 | |
| 9 | 735117301 | FJÄDERBRICKA | 3 | |

| | | | |
|----|-----------|-------------------|---|
| 10 | 597848701 | ADAPTERPLATTA | 1 |
| 11 | 725233151 | SCREW | 2 |
| 12 | 732251401 | HEXAGON LÅSMUTTER | 2 |
| 13 | 531208772 | BRICKA | 4 |
| 14 | 504456402 | SCREW EHHI | 1 |

