

ILLUSTRATED PARTS LIST



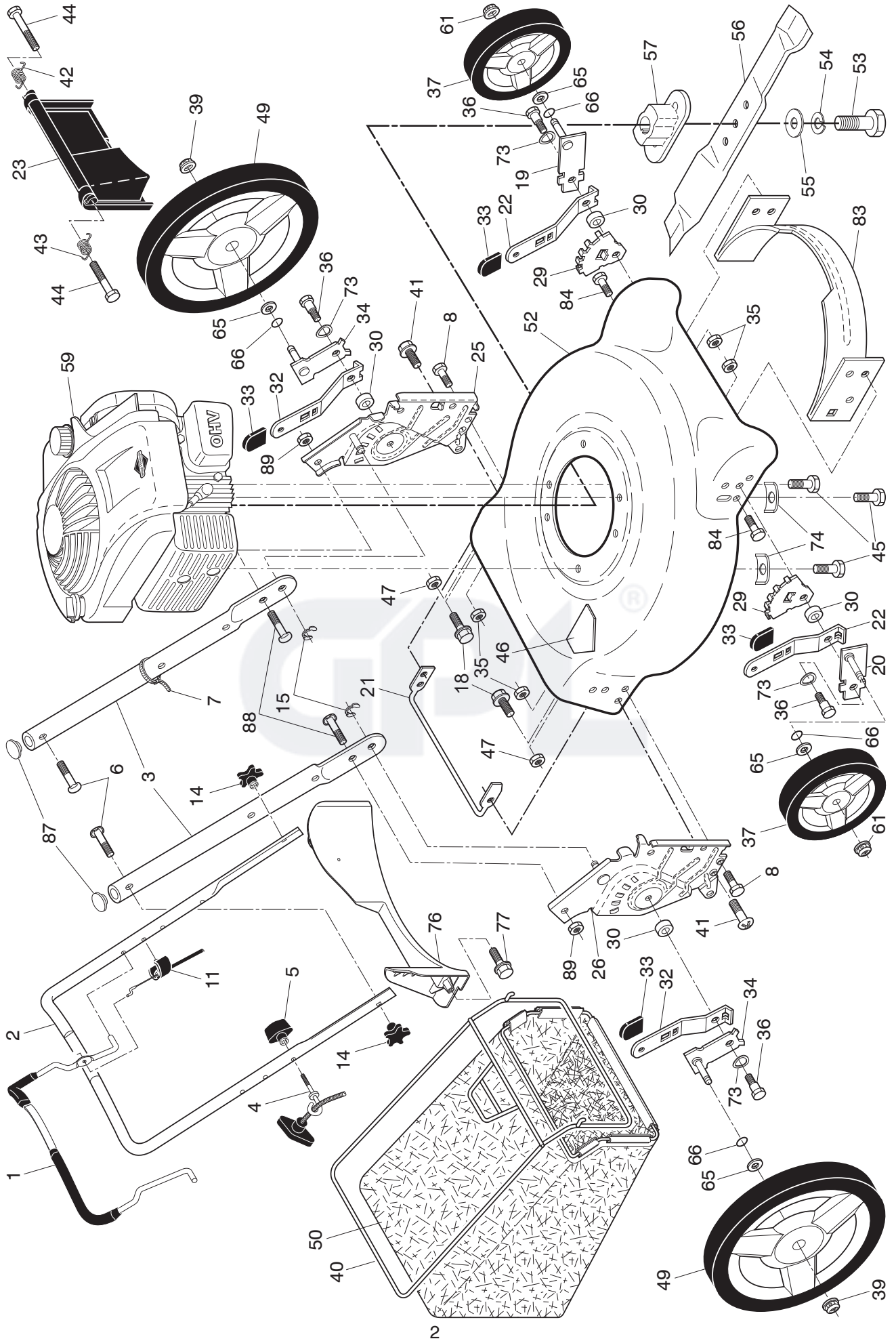
ROTARY LAWN MOWER

MODEL NUMBER LC 153

MFG. ID. NUMBER 96131003704



HUSQVARNA ROTARY LAWN MOWER -- MODEL NUMBER LC 153 (MFG. ID. NUMBER 96131003704)



HUSQVARNA ROTARY LAWN MOWER - - MODEL NUMBER LC 153 (MFG. ID. NUMBER 96131003704)

KEY NO.	PART NO.	DESCRIPTION	KEY NO.	PART NO.	DESCRIPTION
1	587 68 93-02	Control Bar, Molded	46	532 18 21-66	Danger Decal
2	585 85 48-03	Upper Handle	47	532 75 11-53	Nut, Hex
3	580 63 86-03	Bar, Lower Handle	49	588 26 86-02	Wheel & Tire Assembly, Rear 11 x 1-3/4
4	581 90 21-01	Rope Guide	50	581 00 21-04	Grassbag
5	581 91 26-01	T-Knob	52	532 44 19-82	Kit, Housing (Includes Key Number 46)
6	532 19 15-74	Handle Bolt	53	532 85 10-84	Bolt, Hex Head, Grade 8, 3/8-24 x 1-3/8
7	532 06 64-26	Wire Tie	54	532 85 02-63	Washer, Lock, Helical Spring
8	874 78 05-12	Bolt, Hex Head 5/16-18 x 3/4	55	532 85 10-74	Washer, Flat, Hardened
11	532 40 80-47	Engine Zone Control Cable	56	532 19 93-77	21" Blade
14	532 18 23-98	Handle Knob	57	581 54 79-01	Blade Adapter
15	812 00 00-36	Ring, Klip	59	-----	Engine, Briggs & Stratton, Model Number 093J02-0090-H5 (For replacement parts, order from B&S)
18	817 60 04-06	Screw			
19	532 40 66-89	Axle Arm Assembly, Front, LH	61	532 40 91-48	Flanged Locknut
20	532 40 66-90	Axle Arm Assembly, Front, RH	65	532 08 83-48	Washer, Flat
21	532 43 61-19	Footguard	66	532 19 74-80	O-Ring
22	532 40 64-28	Selector Spring, Front	73	532 40 16-30	Washer, Curved, Cylindrical
23	581 42 56-01	Rear Door Assembly	74	532 12 50-78	Washer, Special, Engine
25	588 91 24-06	Handle Bracket, LH	76	589 41 68-04	Baffle, Rear
26	588 91 24-03	Handle Bracket, RH	77	817 41 13-12	Screw, Rear Baffle
29	532 41 05-94	Wheel Adjusting Bracket, Front	83	532 42 85-01	Baffle, Front
30	532 40 16-29	Spacer	84	817 00 05-10	Screw, Hex Head 5/8-16
32	532 44 15-59	Selector Spring, Rear	87	532 43 75-16	Plug, Handle Bar
33	532 70 10-37	Selector Knob	88	586 21 25-01	Bolt, Carriage
34	588 91 26-02	Axle Arm Assembly, Rear	89	873 97 05-00	Nut, Hex
35	532 42 65-89	Locknut, Hex 5/16-18	--	581 27 63-01	Bag of Parts
36	532 40 16-38	Shoulder Bolt 5/16-18			(Includes Key Numbers 88 and 89)
37	532 41 31-83	Wheel & Tire Assembly, Front 8 x 1-3/4	--	532 18 21-91	Warning Decal (not shown)
39	532 40 91-49	Nut, Hex	--	114 06 20-20	Operator's Manual, Euro
40	532 41 19-49	Frame, Grassbag	--	114 06 21-10	Operator's Manual, Scan
41	817 06 04-10	Screw 1/4-20 x .62	--	114 06 20-50	Operator's Manual, E Bloc
42	532 40 54-21	Spring, LH	--	114 06 20-40	Operator's Manual, Baltic
43	532 40 54-23	Spring, RH	--	114 06 20-53	Operator's Manual, Ukrain
44	532 18 41-93	Bolt, Rear Door	--	114 06 21-76	Operator's Manual, Turk
45	532 15 04-06	Screw, Hex Head, Threaded, Rolled 3/8-16 x 1			

NOTE: All component dimensions given in U.S. inches. 1 inch = 25.4 mm

IMPORTANT: Use only Original Equipment Manufacturer (O.E.M.) replacement parts. Failure to do so could be hazardous, damage your lawn mower and void your warranty.