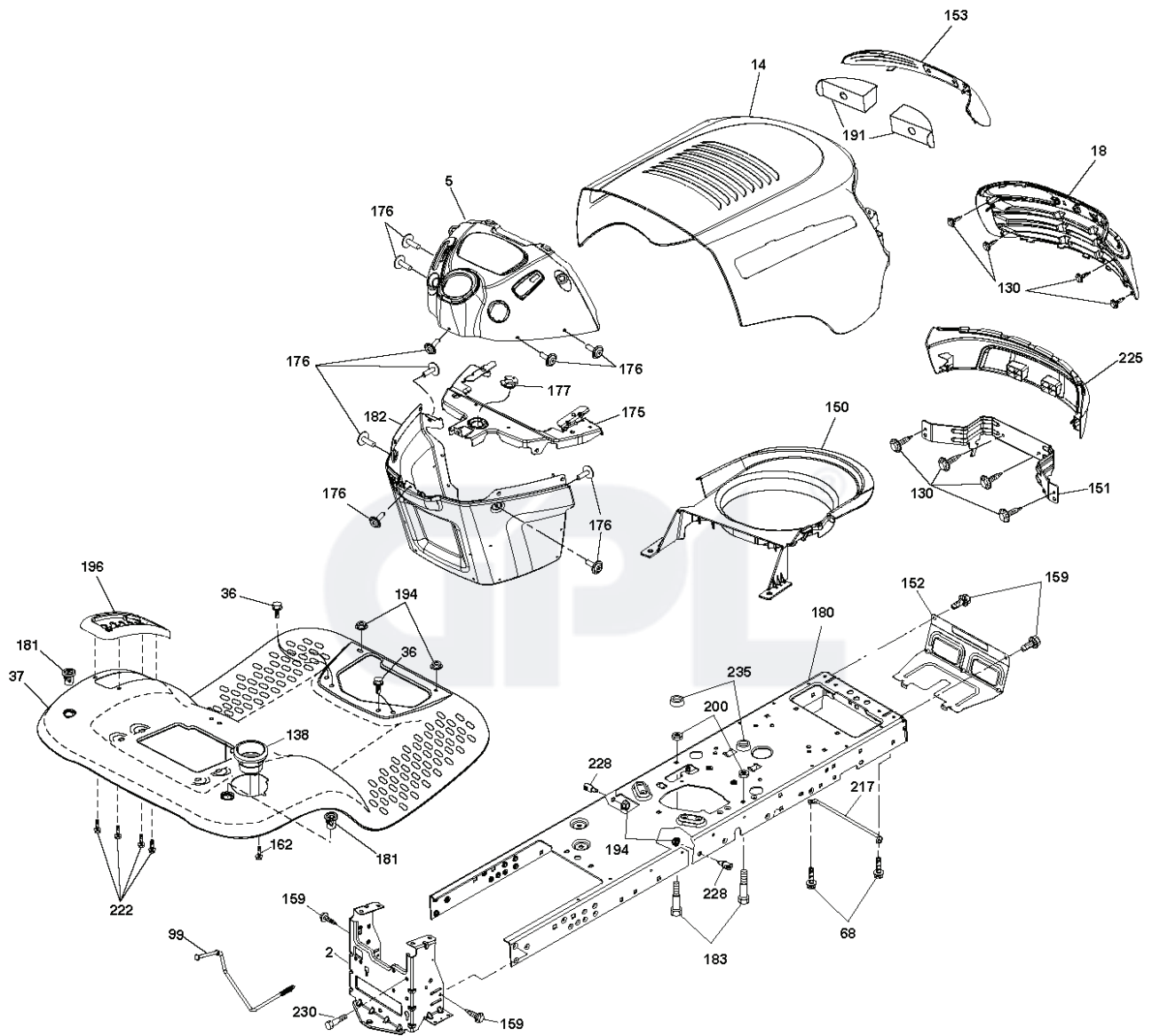


P125107H, 96041001300, 2008-03



---

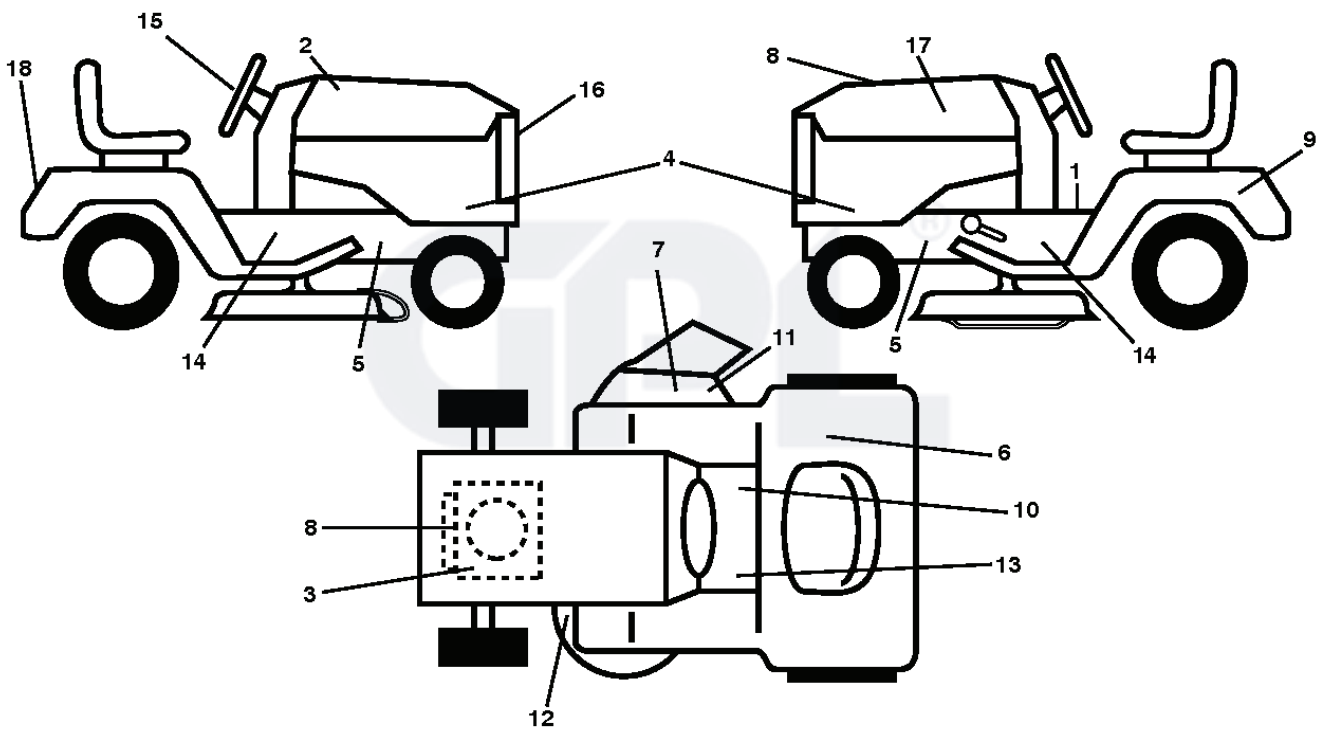
**SPARE PARTS LIST**



chassis-tex\_LT-pred\_5

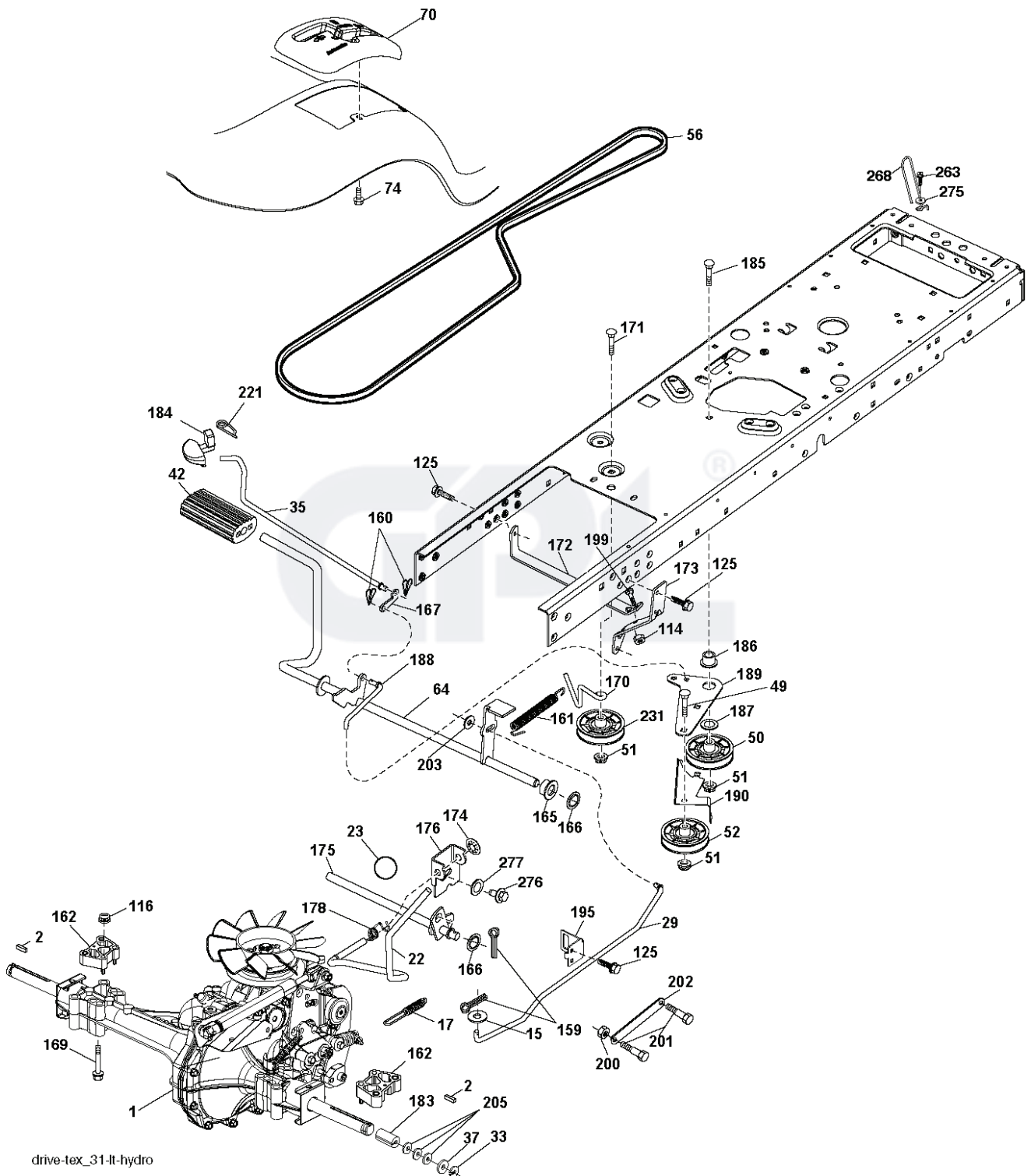
| REF. | PART NO.  | DESCRIPTION   | REMARK | QTY. | KIT |
|------|-----------|---------------|--------|------|-----|
| 2    | 532194263 | PLATE         |        | 1    |     |
| 5    | 532409597 | PANEL         |        | 1    |     |
| 14   | 532409598 | HOOD          |        | 1    |     |
| 18   | 532401828 | FRONT COVER   |        | 1    |     |
| 36   | 817060512 | SCREW         |        | 1    |     |
| 37   | 532409727 | FENDER        |        | 1    |     |
| 68   | 817490508 | SCREW         |        | 1    |     |
| 99   | 532403376 | ROD           |        | 1    |     |
| 130  | 532191611 | SCREW         |        | 1    |     |
| 138  | 532409730 | CONSOLE       |        | 1    |     |
| 150  | 532408956 | AIR CONDUCTOR |        | 1    |     |
| 151  | 532187568 | BRACKET       |        | 1    |     |
| 152  | 532194329 | SHIELD        |        | 1    |     |
| 153  | 532409740 | LENS          |        | 1    |     |
| 159  | 817000612 | SCREW         |        | 1    |     |
| 162  | 532142432 | SCREW         |        | 1    |     |
| 175  | 532199472 | PLATE         |        | 1    |     |
| 176  | 532400776 | SCREW         |        | 1    |     |
| 177  | 532195228 | BUSHING       |        | 1    |     |
| 180  | 532194260 | CHASSIS       |        | 1    |     |
| 181  | 532404796 | BUSHING       |        | 1    |     |
| 182  | 532198917 | PANEL         |        | 1    |     |
| 183  | 874780520 | BOLT          |        | 1    |     |
| 191  | 532401827 | LENS          |        | 1    |     |
| 194  | 873900500 | NUT           |        | 1    |     |
| 196  | 532409728 | PAD           |        | 1    |     |
| 200  | 873930500 | NUT           |        | 1    |     |
| 217  | 532156524 | SHAFT         |        | 1    |     |
| 222  | 532137729 | SCREW         |        | 1    |     |
| 225  | 532409585 | BUMPER        |        | 1    |     |
| 228  | 532195161 | STUD          |        | 1    |     |
| 230  | 532170165 | BOLT          |        | 1    |     |
| 235  | 532406129 | SPACER        |        | 1    |     |





| REF. | PART NO.  | DESCRIPTION                | REMARK | QTY. | KIT |
|------|-----------|----------------------------|--------|------|-----|
| 1    | 532400389 | LABEL                      |        | 1    |     |
| 2    | 532408181 | LABEL                      |        | 1    |     |
| 3    | 532196841 | DECAL                      |        | 1    |     |
| 4    | 532408631 | DECAL                      |        | 1    |     |
| 5    | 532159736 | DECAL                      |        | 1    |     |
| 6    | 532180432 | DECAL                      |        | 1    |     |
| 7    | 532182166 | DECAL                      |        | 1    |     |
| 8    | 532408813 | DECAL                      |        | 1    |     |
| 9    | 532145005 | DECAL                      |        | 1    |     |
| 10   | 532140837 | DECAL                      |        | 1    |     |
| 11   | 532196357 | DECALC:"DANGER DEFLECTEUR" |        | 1    |     |
| 12   | 532160396 | DECAL                      |        | 1    |     |
| 13   | 532159737 | DECAL                      |        | 1    |     |
| 14   | 532185651 | DECAL                      |        | 1    |     |
| 15   | 532408143 | LABEL                      |        | 1    |     |
| 16   | 532408054 | DECAL                      |        | 1    |     |
| 17   | 532408183 | LABEL                      |        | 1    |     |
| 18   | 532408632 | DECAL                      |        | 1    |     |
| --   | 532162598 | DECAL                      |        | 1    |     |
| --   | 532166960 | DECAL                      |        | 1    |     |
| --   | 532409505 | PAD                        |        | 1    |     |
| --   | 532402978 | PAD                        |        | 1    |     |
| --   | 532409155 | OPERATOR'S MANUAL          |        | 1    |     |
| --   | 532409156 | OPERATOR'S MANUAL          |        | 1    |     |
| --   |           |                            |        | 1    |     |



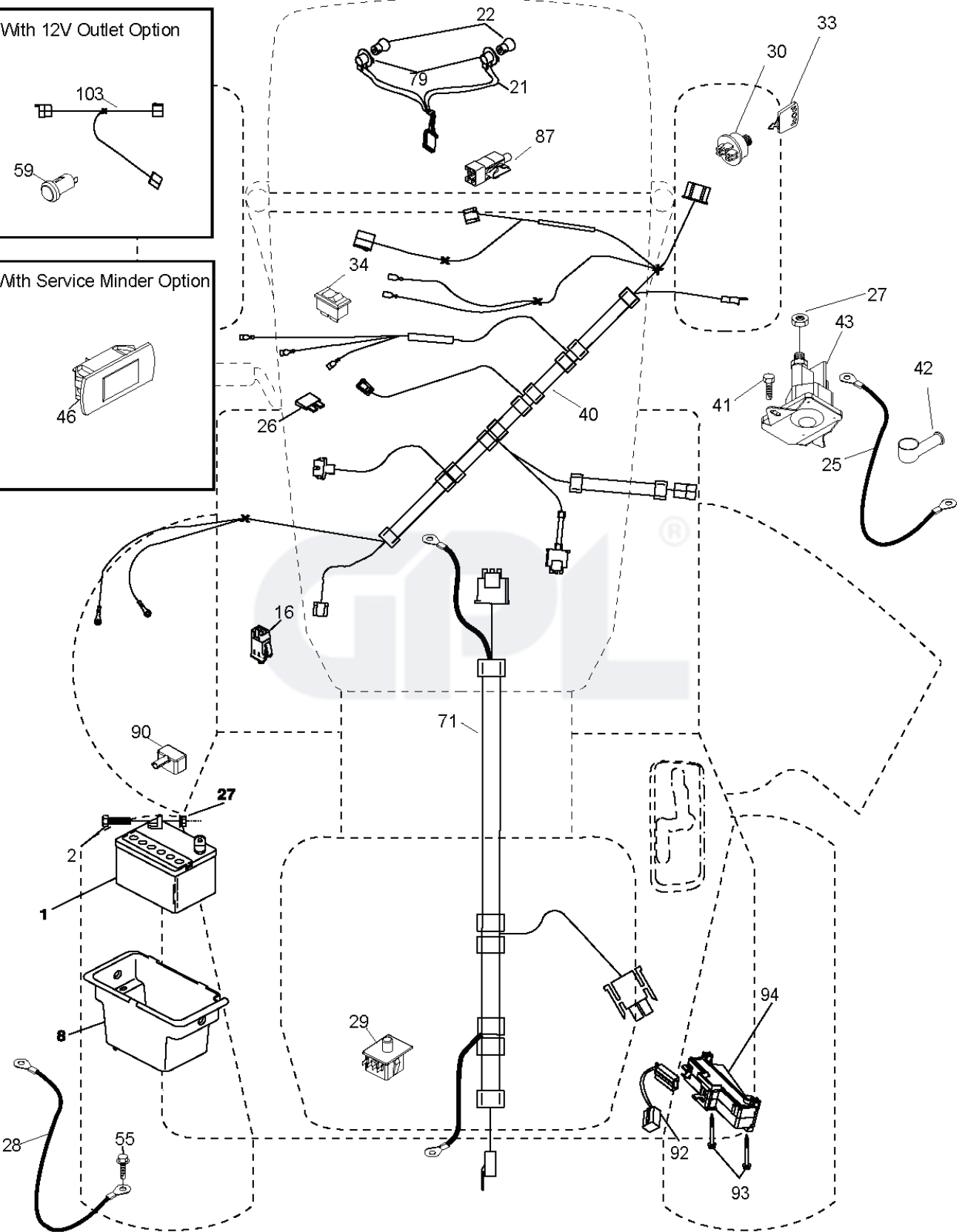
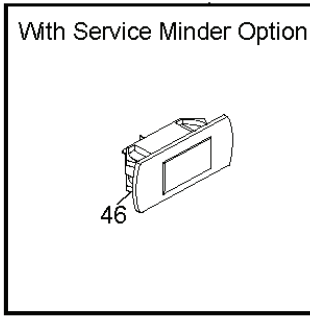
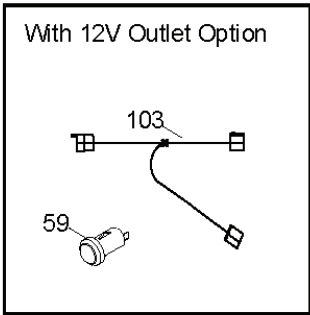


drive-tex\_31-It-hydro

| REF. | PART NO.  | DESCRIPTION   | REMARK | QTY. | KIT |
|------|-----------|---------------|--------|------|-----|
| 1    |           |               |        | 1    |     |
| 2    | 532123583 | KEY           |        | 1    |     |
| 15   | 819131316 | WASHER        |        | 1    |     |
| 17   | 532197296 | SPRING        |        | 1    |     |
| 22   | 532197660 | ROD           |        | 1    |     |
| 23   | 532411400 | KNOB          |        | 1    |     |
| 29   | 532197659 | ROD           |        | 1    |     |
| 33   | 812000001 | RETAINER RING |        | 1    |     |
| 35   | 532401031 | ROD           |        | 1    |     |
| 37   | 532121749 | WASHER        |        | 1    |     |
| 42   | 532124872 | PEDAL RUBBER  |        | 1    |     |
| 49   | 872110614 | BOLT          |        | 1    |     |
| 50   | 532194327 | PULLEY        |        | 1    |     |
| 51   | 873900600 | NUT           |        | 1    |     |
| 52   | 532194326 | PULLEY        |        | 1    |     |
| 56   | 532140218 | V-BELT        |        | 1    |     |
| 64   | 532196200 | SHAFT         |        | 1    |     |
| 70   | 532411329 | CONSOLE       |        | 1    |     |
| 74   | 532142432 | SCREW         |        | 1    |     |
| 114  | 873800500 | LOCK NUT      |        | 1    |     |
| 116  | 873900500 | NUT           |        | 1    |     |
| 125  | 817000512 | SCREW         |        | 1    |     |
| 159  | 876020412 | SPLIT PIN     |        | 1    |     |
| 160  | 532169484 | PIN           |        | 1    |     |
| 161  | 532195403 | SPRING        |        | 1    |     |
| 162  | 532195785 | SPACER        |        | 1    |     |
| 165  | 532196212 | BUSHING       |        | 1    |     |
| 166  | 532197290 | NUT           |        | 1    |     |
| 167  | 532405257 | LATCH         |        | 1    |     |
| 169  | 874490560 | BOLT          |        | 1    |     |
| 170  | 532194322 | KEEPER        |        | 1    |     |
| 171  | 872110622 | BOLT          |        | 1    |     |
| 172  | 532197656 | STRAP         |        | 1    |     |
| 173  | 532197655 | STRAP         |        | 1    |     |
| 174  | 532197289 | NUT           |        | 1    |     |
| 175  | 532197653 | SHAFT         |        | 1    |     |
| 176  | 532196214 | ARM           |        | 1    |     |
| 178  | 532197456 | SPRING        |        | 1    |     |
| 183  | 532137057 | SPACER        |        | 1    |     |
| 184  | 532409747 | KNOB          |        | 1    |     |
| 185  | 872110620 | BOLT          |        | 1    |     |
| 186  | 532194321 | SPACER        |        | 1    |     |
| 187  | 819133210 | WASHER        |        | 1    |     |
| 188  | 532194323 | LINK          |        | 1    |     |
| 189  | 532194317 | PLATE         |        | 1    |     |
| 190  | 532194318 | BELT GUIDE    |        | 1    |     |
| 195  | 532198012 | BRACKET       |        | 1    |     |
| 199  | 872140508 | BOLT          |        | 1    |     |
| 200  | 873930500 | NUT           |        | 1    |     |
| 201  | 532169612 | SCREW         |        | 1    |     |
| 202  | 532197715 | LINK          |        | 1    |     |
| 203  | 819111116 | WASHER        |        | 1    |     |
| 205  | 532121748 | WASHER        |        | 1    |     |
| 221  | 532403187 | SPRING        |        | 1    |     |
| 231  | 532407287 | PULLEY        |        | 1    |     |
| 263  | 817000612 | SCREW         |        | 1    |     |
| 268  | 819131614 | WASHER        |        | 1    |     |
| 275  | 532182402 | PROTECTOR     |        | 1    |     |
| 276  | 874780716 | BOLT          |        | 1    |     |
| 277  | 532405296 | WASHER        |        | 1    |     |

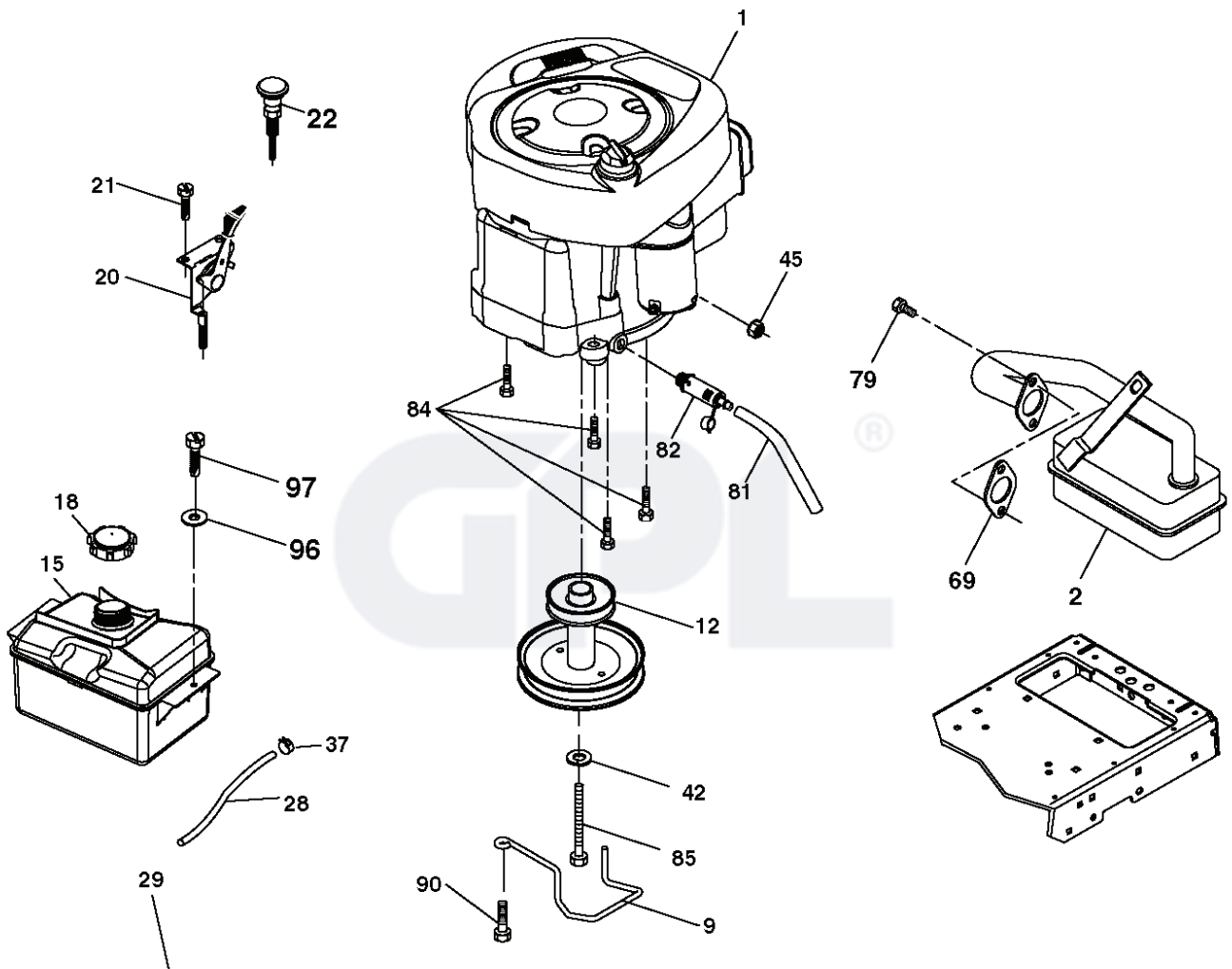


T02K



| REF. | PART NO.  | DESCRIPTION            | REMARK | QTY. | KIT |
|------|-----------|------------------------|--------|------|-----|
| 1    | 532163465 | BATTERY                |        | 1    |     |
| 2    | 874760412 | BOLT                   |        | 1    |     |
| 8    | 532193228 | BOX                    |        | 1    |     |
| 16   | 532176138 | MICRO SWITCH           |        | 1    |     |
| 21   | 532400252 | HARNESS                |        | 1    |     |
| 22   | 532004152 | BULB                   |        | 1    |     |
| 25   | 532401662 | CABLE                  |        | 1    |     |
| 26   | 532175158 | FUSE                   |        | 1    |     |
| 27   | 873510400 | NUT                    |        | 1    |     |
| 28   | 532198885 | CABLE                  |        | 1    |     |
| 29   | 532192749 | SWITCH.SEAT.DP W/RAMPS |        | 1    |     |
| 30   | 532193350 | IGNITION MODULE        |        | 1    |     |
| 33   | 532140401 | KEY                    |        | 1    |     |
| 34   | 532110712 | SWITCH                 |        | 1    |     |
| 40   | 532401098 | CABLE                  |        | 1    |     |
| 41   | 817720408 | SCREW                  |        | 1    |     |
| 42   | 532131563 | COVER                  |        | 1    |     |
| 43   | 532192507 | SOLENOID               |        | 1    |     |
| 55   | 817060512 | SCREW                  |        | 1    |     |
| 71   | 532400449 | CABLE                  |        | 1    |     |
| 79   | 532175242 | HOLDER                 |        | 1    |     |
| 87   | 532197802 | SWITCH                 |        | 1    |     |
| 90   | 532400725 | COVER                  |        | 1    |     |
| 92   | 532196615 | CABLE ASSY             |        | 1    |     |
| 93   | 532192540 | SCREW                  |        | 1    |     |
| 94   | 532191834 | MODULE.REVERSE.ROS     |        | 1    |     |

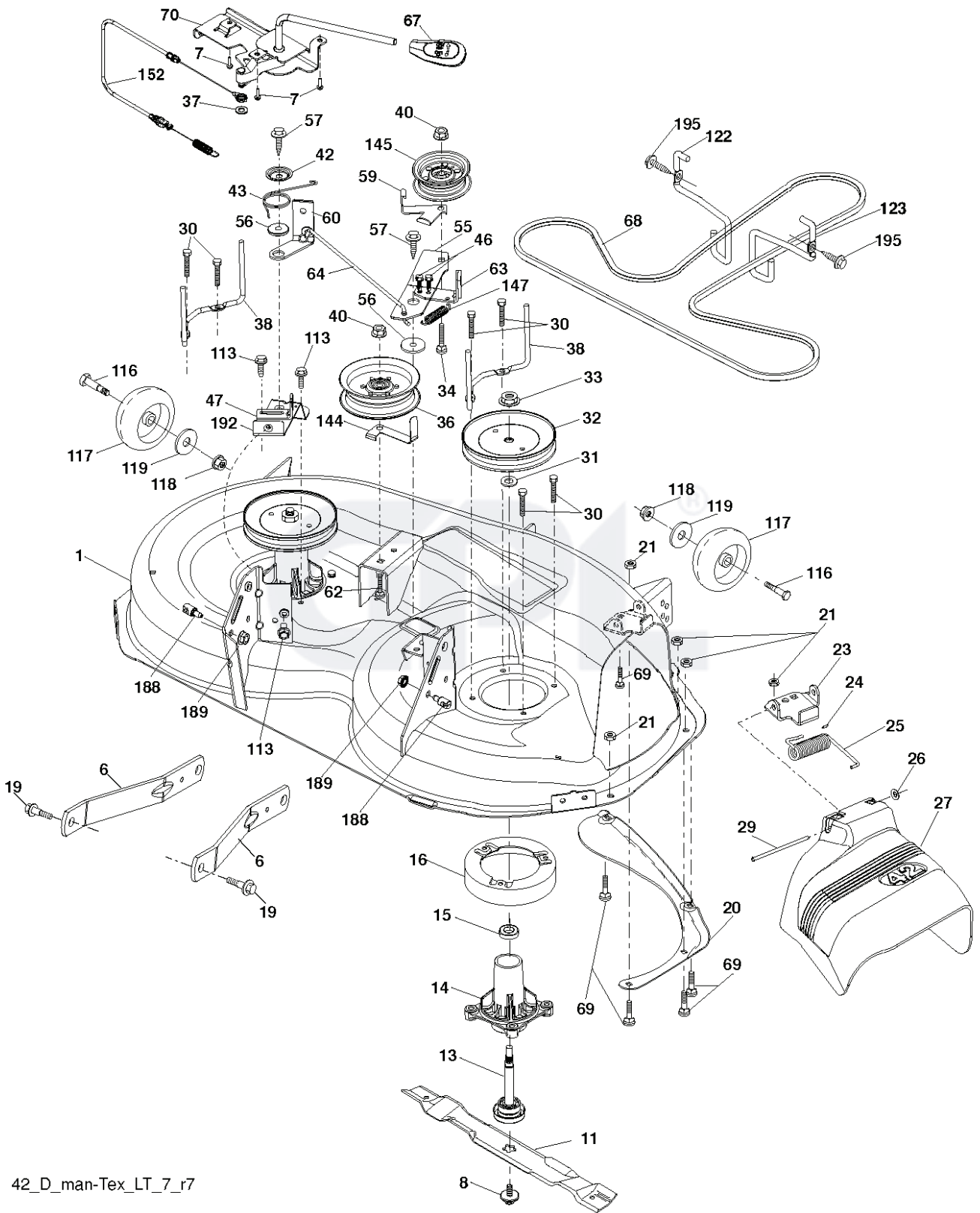




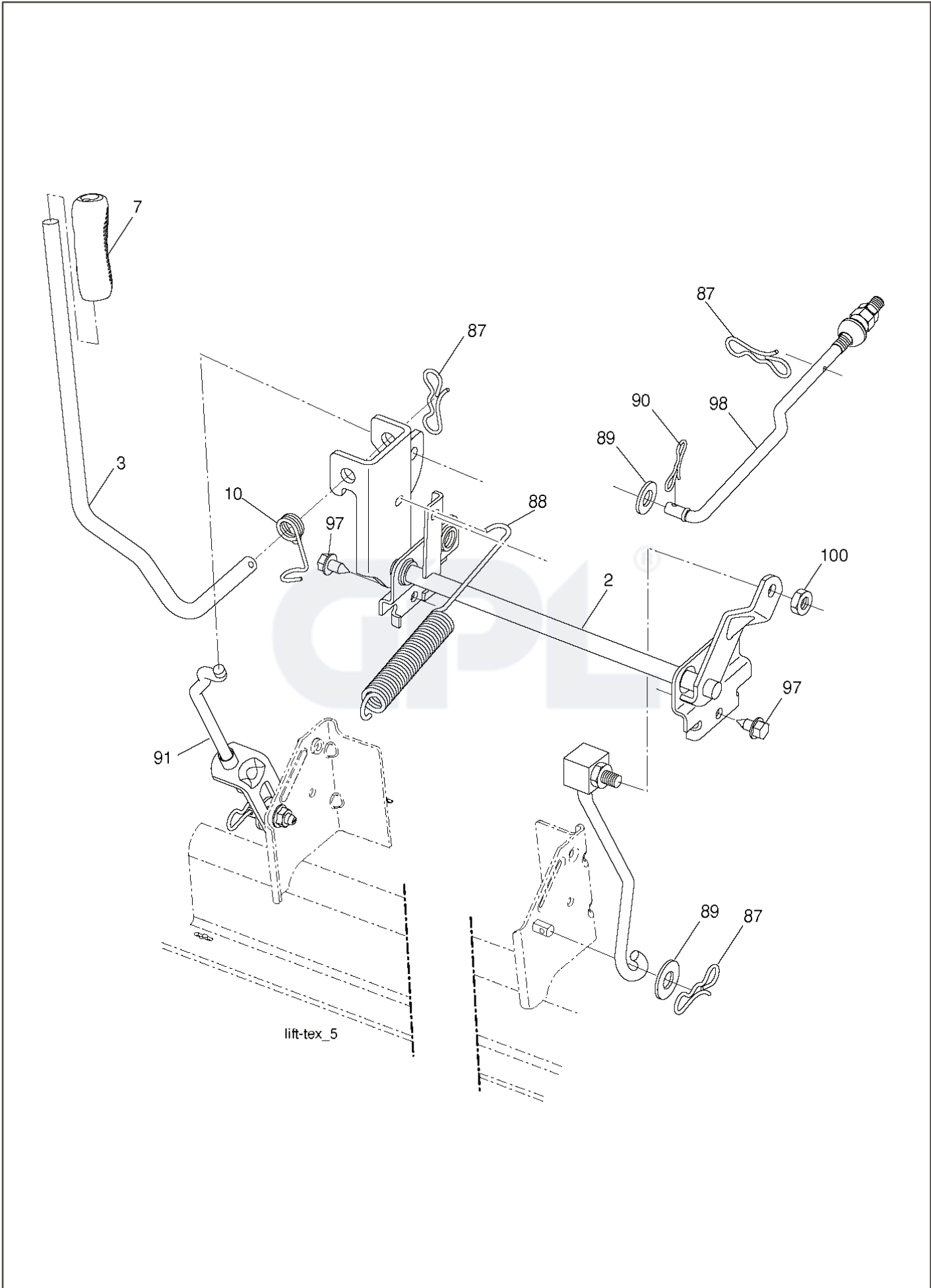
**OPTIONAL EQUIPMENT**  
Spark Arrester

| REF. | PART NO.  | DESCRIPTION        | REMARK | QTY. | KIT |
|------|-----------|--------------------|--------|------|-----|
| 1    |           |                    |        | 1    |     |
| 2    | 532179758 | MUFFLER            |        | 1    |     |
| 9    | 532194319 | BELT GUIDE         |        | 1    |     |
| 12   | 532401985 | PULLEY             |        | 1    |     |
| 15   | 532407545 | FUEL TANK          |        | 1    |     |
| 18   | 532197725 | PLUG               |        | 1    |     |
| 20   | 532183897 | CONTROL            |        | 1    |     |
| 21   | 532191611 | SCREW              |        | 1    |     |
| 22   | 532194981 | CONTROL            |        | 1    |     |
| 28   | 532137040 | HOSE               |        | 1    |     |
| 29   | 532137180 | SPARK ARRESTER KIT |        | 1    |     |
| 37   | 532123487 | HOSE CLAMP         |        | 1    |     |
| 42   | 810040700 | WASHER             |        | 1    |     |
| 45   | 873510400 | NUT                |        | 1    |     |
| 69   | 532165291 | GASKET             |        | 1    |     |
| 79   | 532192334 | SCREW              |        | 1    |     |
| 81   | 532148456 | TUBE               |        | 1    |     |
| 82   | 532181654 | PLUG               |        | 1    |     |
| 84   | 817060620 | SCREW              |        | 1    |     |
| 85   | 532173937 | BOLT               |        | 1    |     |
| 90   | 817000616 | SCREW              |        | 1    |     |
| 96   | 819091416 | WASHER             |        | 1    |     |
| 97   | 817670412 | SCREW              |        | 1    |     |





| REF. | PART NO.  | DESCRIPTION             | REMARK   | QTY. | KIT |
|------|-----------|-------------------------|--|------|-----|
| 1    | 532196495 | HOUSING                 |  | 1    |     |
| 6    | 532195186 | ARM                     |  | 1    |     |
| 7    | 532191611 | SCREW                   |  | 1    |     |
| 8    | 532193003 | SCREW                   |  | 1    |     |
| 11   | 532138971 | BLADE                   |  | 1    |     |
| 13   | 532192872 | SHAFT ASSY              |  | 1    |     |
| 14   | 532187281 | BEARING HOUSING         |  | 1    |     |
| 15   | 532110485 | BEARING                 |  | 1    |     |
| 16   | 532174493 | STRIPPER, MANDREL BLACK |  | 1    |     |
| 19   | 532196539 | BOLT                    |  | 1    |     |
| 20   | 532159770 | RAIL                    |  | 1    |     |
| 21   | 873680500 | NUT                     |  | 1    |     |
| 23   | 532192557 | HINGE                   |  | 1    |     |
| 24   | 532105304 | HUB CAP                 |  | 1    |     |
| 25   | 532197026 | TORSION SPRING          |  | 1    |     |
| 26   | 532110452 | NUT                     |  | 1    |     |
| 27   | 532403004 | SHIELD                  |  | 1    |     |
| 29   | 532131491 | SHAFT                   |  | 1    |     |
| 30   | 532173984 | SCREW                   |  | 1    |     |
| 31   | 532187690 | WASHER                  |  | 1    |     |
| 32   | 532197473 | PULLEY                  |  | 1    |     |
| 33   | 532400234 | NUT                     |  | 1    |     |
| 34   | 872110612 | BOLT                    |  | 1    |     |
| 36   | 532197379 | PULLEY                  |  | 1    |     |
| 37   | 819131316 | WASHER                  |  | 1    |     |
| 38   | 532199189 | BELT GUIDE              |  | 1    |     |
| 40   | 873900600 | NUT                     |  | 1    |     |
| 42   | 532198410 | SPRING                  |  | 1    |     |
| 43   | 532197256 | SPRING                  |  | 1    |     |
| 46   | 532137729 | SCREW                   |  | 1    |     |
| 47   | 532197250 | BRACKET                 |  | 1    |     |
| 55   | 532197249 | ARM                     |  | 1    |     |
| 56   | 532199092 | SPACER                  |  | 1    |     |
| 57   | 817000616 | SCREW                   |  | 1    |     |
| 59   | 532141043 | GUARD                   |  | 1    |     |
| 60   | 532197261 | ARM                     |  | 1    |     |
| 62   | 872110616 | BOLT                    |  | 1    |     |
| 63   | 532199477 | ARM                     |  | 1    |     |
| 64   | 532199790 | LINK                    |  | 1    |     |
| 67   | 532409792 | HANDLE                  |  | 1    |     |
| 68   | 532197253 | BELT                    |  | 1    |     |
| 69   | 872140505 | BOLT                    |  | 1    |     |
| 70   | 532401246 | CLUTCH                  |  | 1    |     |
| 113  | 817000510 | BOLT                    |  | 1    |     |
| 116  | 532124842 | BOLT                    |  | 1    |     |
| 117  | 532188606 | WHEEL                   |  | 1    |     |
| 118  | 873930600 | NUT                     |  | 1    |     |
| 119  | 819121414 | WASHER                  |  | 1    |     |
| 122  | 532197258 | BELT GUIDE              |  | 1    |     |
| 123  | 532197259 | BELT GUIDE              |  | 1    |     |
| 144  | 532199204 | BELT GUIDE              |  | 1    |     |
| 145  | 532193197 | PULLEY                  |  | 1    |     |
| 147  | 532401971 | SPRING                  |  | 1    |     |
| 152  | 532408714 | CABLE                   |  | 1    |     |
| 188  | 532195161 | STUD                    |  | 1    |     |
| 189  | 873900500 | NUT                     |  | 1    |     |
| 192  | 532197260 | BRACKET                 |  | 1    |     |
| 195  | 817000612 | SCREW                   |  | 1    |     |
| --   | 532192870 | SPINDLE                 | (Includes housing, shaft assembly, and bearing only - pulley/nut/washer and blade bolt/washers not included) | 1    |     |
| --   | 532199608 | CUTTING DECK            |  | 1    |     |

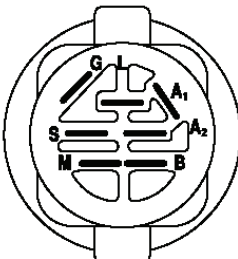
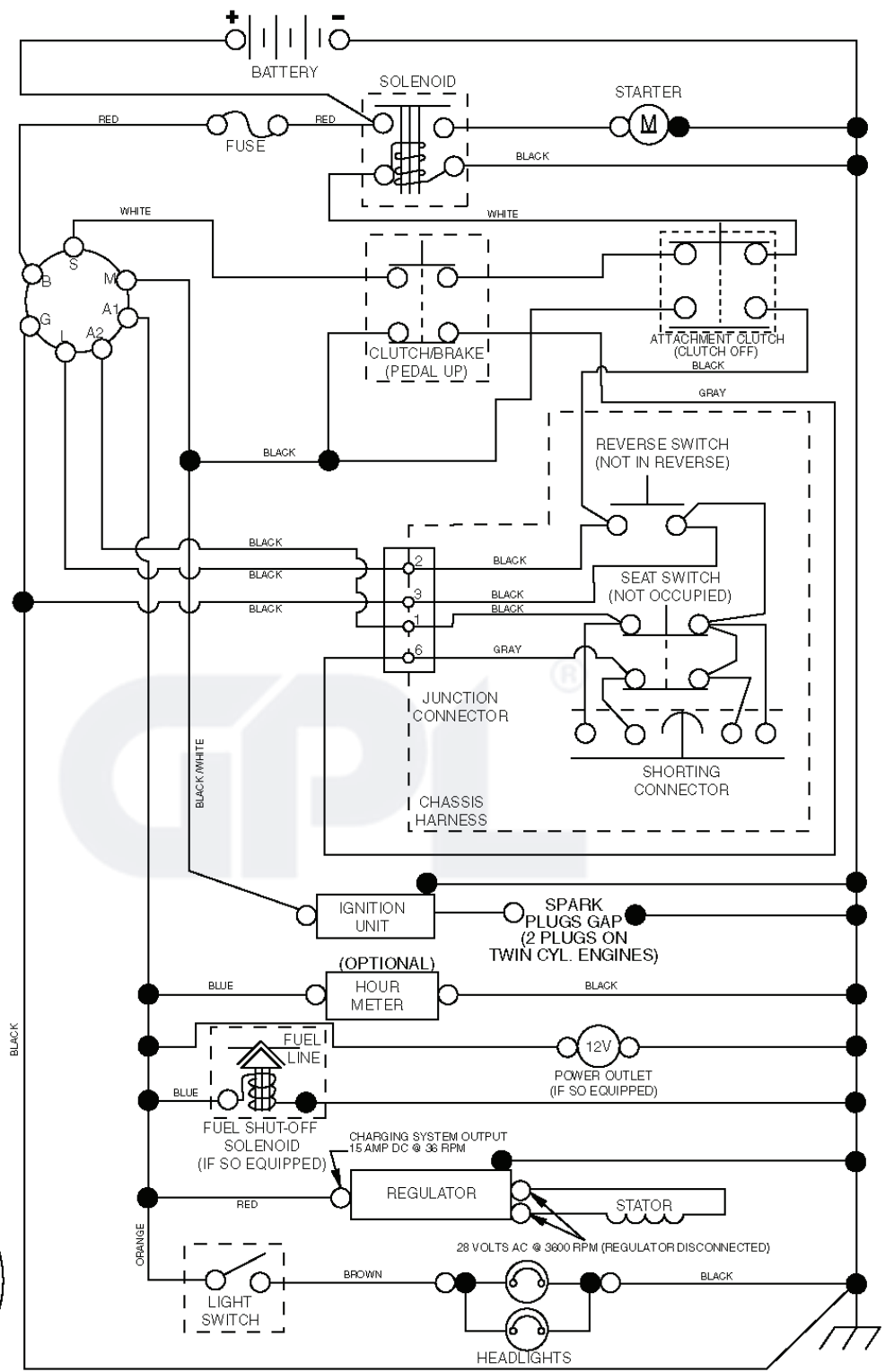


---

| REF. | PART NO.  | DESCRIPTION | REMARK | QTY. | KIT |
|------|-----------|-------------|--------|------|-----|
| 2    | 532195223 | SHAFT       |        | 1    |     |
| 3    | 532195231 | LEVER       |        | 1    |     |
| 7    | 532411555 | GRIP        |        | 1    |     |
| 10   | 532196314 | SPRING      |        | 1    |     |
| 87   | 532194209 | SPRING      |        | 1    |     |
| 88   | 532195303 | SPRING      |        | 1    |     |
| 89   | 819191912 | WASHER      |        | 1    |     |
| 90   | 532194208 | PIN         |        | 1    |     |
| 91   | 532195181 | LINK        |        | 1    |     |
| 97   | 817060612 | SCREW       |        | 1    |     |
| 98   | 532195270 | LINK        |        | 1    |     |
| 100  | 873930600 | NUT         |        | 1    |     |



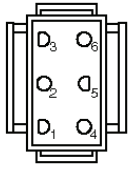




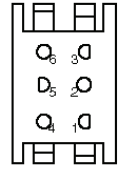
**IGNITION SWITCH**

| POSITION     | CIRCUIT    | "MAKE" |
|--------------|------------|--------|
| OFF          | M+G+A1     |        |
| RUN/OVERRIDE | B+A1       |        |
| RUN          | B+A1       | L+A2   |
| START        | B + S + A1 |        |

03101

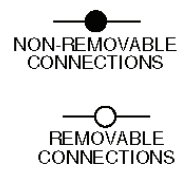


CHASSIS HARNESS CONNECTOR (MATING SIDE)



DASH HARNESS CONNECTOR (MATING SIDE)

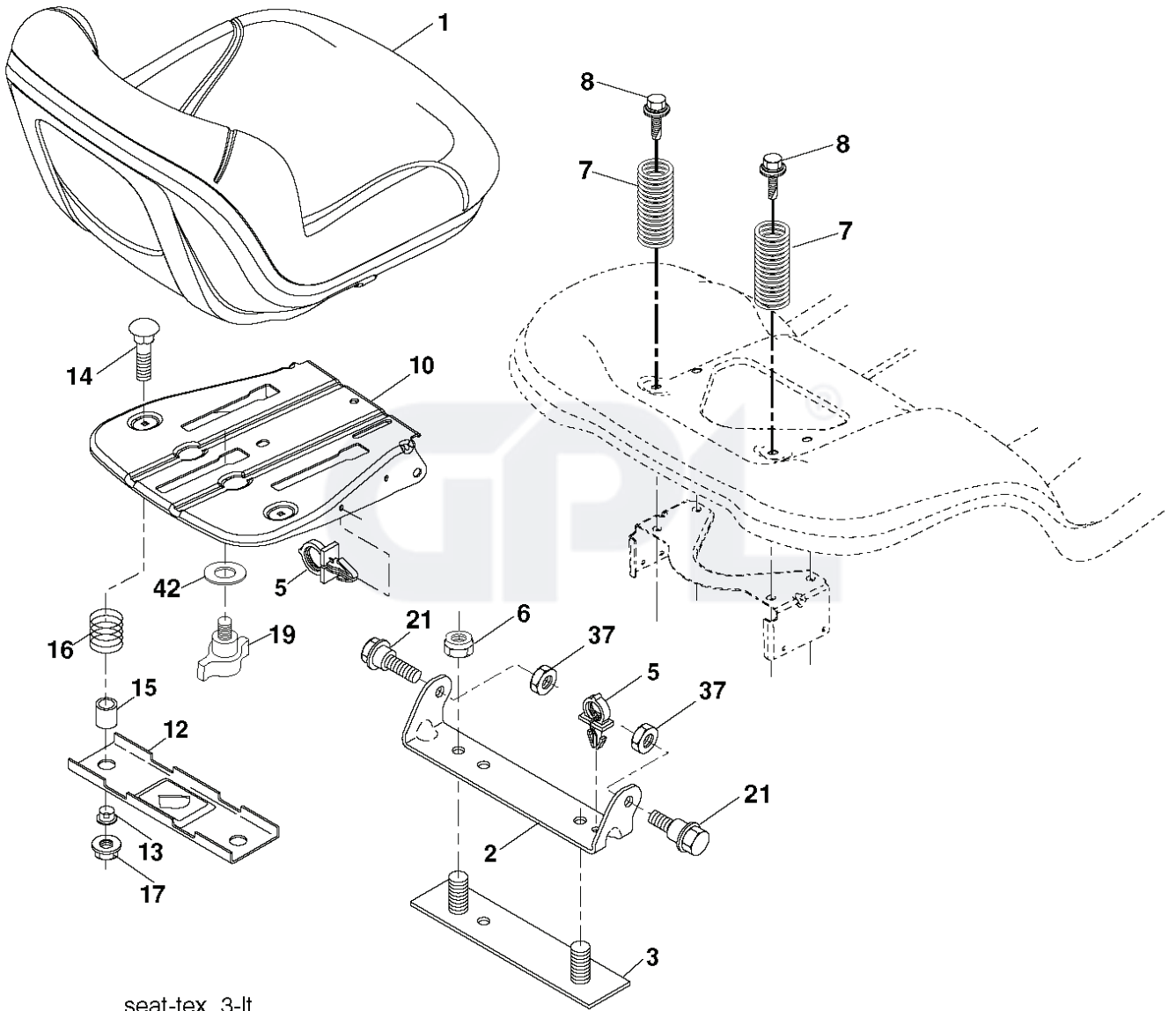
**WIRING INSULATED CLIPS**  
**NOTE:** IF WIRING INSULATED CLIPS WERE REMOVED FOR SERVICING OF UNIT, THEY SHOULD BE REPLACED TO PROPERLY SECURE YOUR WIRING.



NON-REMOVABLE CONNECTIONS

REMOVABLE CONNECTIONS



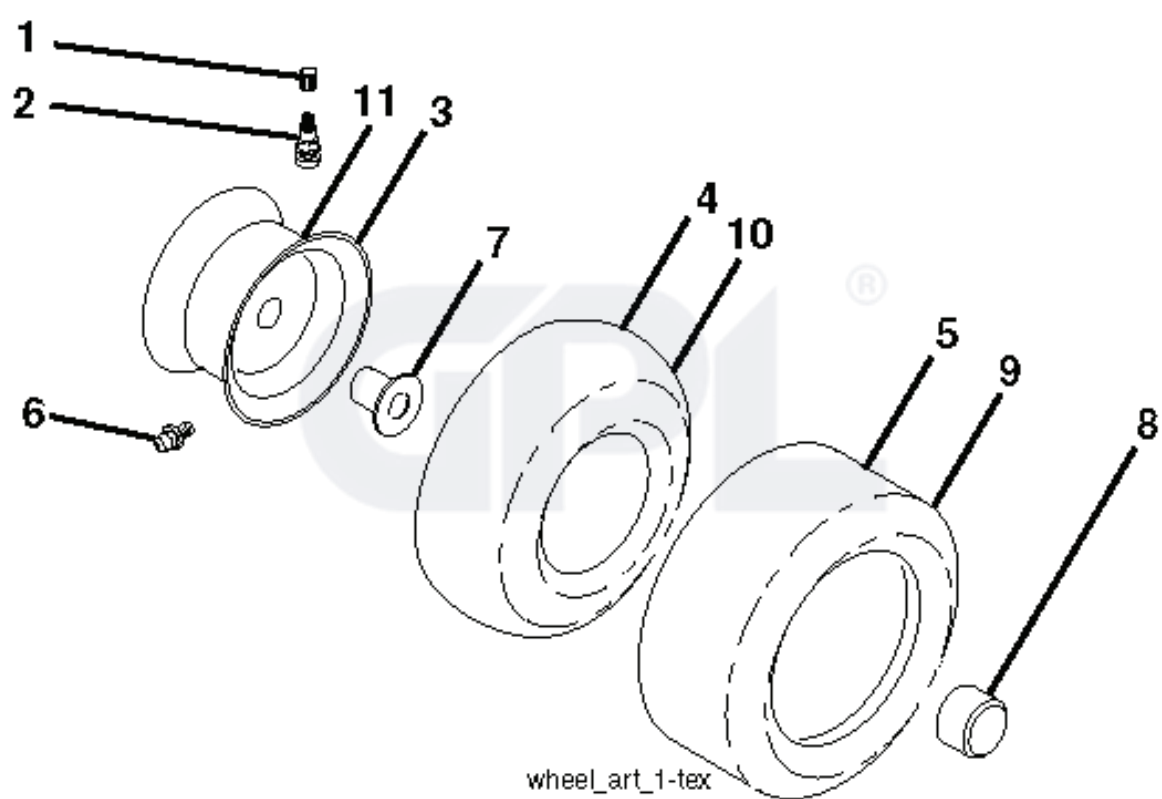


seat-tex\_3-lt

---

| REF. | PART NO.  | DESCRIPTION | REMARK | QTY. | KIT |
|------|-----------|-------------|--------|------|-----|
| 1    | 532197511 | SEAT        |        | 1    |     |
| 2    | 532180166 | BRACKET     |        | 1    |     |
| 3    | 532140675 | STRAP       |        | 1    |     |
| 5    | 532145006 | CLIP        |        | 1    |     |
| 6    | 873800600 | NUT         |        | 1    |     |
| 7    | 532124181 | SPRING      |        | 1    |     |
| 8    | 532171877 | BOLT        |        | 1    |     |
| 10   | 532199180 | PLATE       |        | 1    |     |
| 12   | 532199370 | BRACKET     |        | 1    |     |
| 13   | 532121248 | BUSHING     |        | 1    |     |
| 14   | 872050412 | BOLT        |        | 1    |     |
| 15   | 532134300 | SPACER      |        | 1    |     |
| 16   | 532123740 | SPRING      |        | 1    |     |
| 17   | 532123976 | LOCKNUT     |        | 1    |     |
| 19   | 532199372 | KNOB        |        | 1    |     |
| 21   | 532171852 | BOLT        |        | 1    |     |
| 37   | 873800500 | LOCK NUT    |        | 1    |     |
| 42   | 532199371 | WASHER      |        | 1    |     |

GPL®

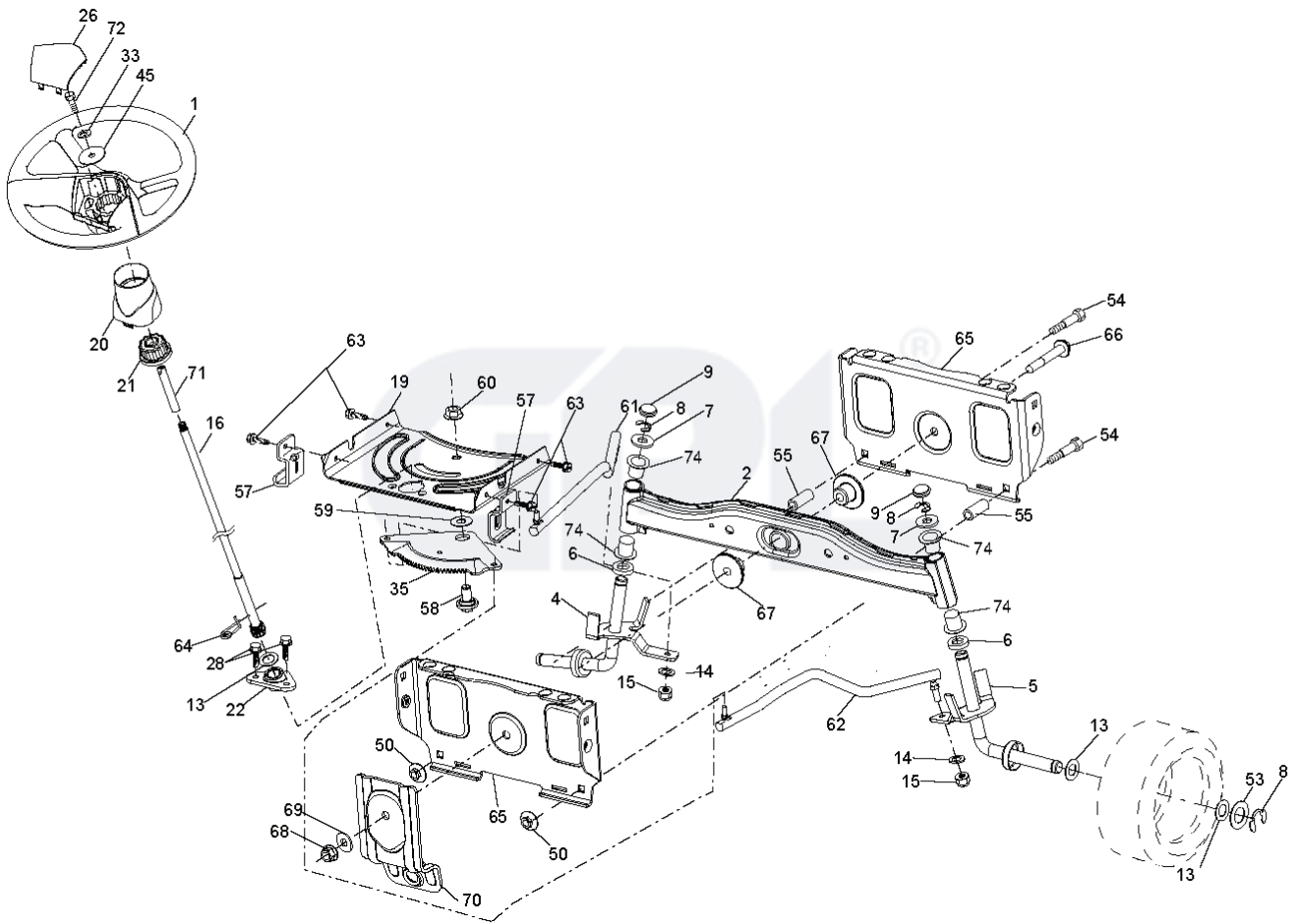


wheel\_art\_1-tex

---

| REF. | PART NO.  | DESCRIPTION  | REMARK | QTY. | KIT |
|------|-----------|--------------|--------|------|-----|
| 1    | 532059192 | CAP VALVE    |        | 1    |     |
| 2    | 532065139 | NIPPLE       |        | 1    |     |
| 3    | 532125121 | RIM          |        | 1    |     |
| 4    | 532059904 | HOSE         |        | 1    |     |
| 5    | 532124157 | TIRE         |        | 1    |     |
| 6    | 532124957 | FITTING      |        | 1    |     |
| 7    | 532124959 | BEARING      |        | 1    |     |
| 8    | 532175039 | HUB CAP      |        | 1    |     |
| 9    | 532123969 | TIRE         |        | 1    |     |
| 10   | 532124926 | HOSE         |        | 1    |     |
| 11   | 532125122 | RIM          |        | 1    |     |
| --   | 532144334 | SEALING FOAM |        | 1    |     |





steering-tex\_5-11

| REF. | PART NO.  | DESCRIPTION        | REMARK | QTY. | KIT |
|------|-----------|--------------------|--------|------|-----|
| 1    | 532186780 | STEERING WHEEL     |        | 1    |     |
| 2    | 532195673 | SHAFT              |        | 1    |     |
| 4    | 532403087 | SPINDLE            |        | 1    |     |
| 5    | 532403088 | SPINDLE            |        | 1    |     |
| 6    | 532124931 | WASHER             |        | 1    |     |
| 7    | 532121748 | WASHER             |        | 1    |     |
| 8    | 812000029 | RETAINER RING      |        | 1    |     |
| 9    | 532121232 | HUB CAP            |        | 1    |     |
| 13   | 532121749 | WASHER             |        | 1    |     |
| 14   | 810040600 | WASHER             |        | 1    |     |
| 15   | 873540600 | NUT                |        | 1    |     |
| 16   | 532196074 | SHAFT              |        | 1    |     |
| 19   | 532194729 | PLATE              |        | 1    |     |
| 20   | 532409763 | STEERING COLUMN    |        | 1    |     |
| 21   | 532186737 | ADAPTER            |        | 1    |     |
| 22   | 532194845 | BUSHING            |        | 1    |     |
| 26   | 532192916 | INSERT DE VOLANT   |        | 1    |     |
| 28   | 817000612 | SCREW              |        | 1    |     |
| 33   | 810040500 | WASHER             |        | 1    |     |
| 35   | 532194732 | PLATE              |        | 1    |     |
| 45   | 819113812 | WASHER             |        | 1    |     |
| 50   | 873900600 | NUT                |        | 1    |     |
| 53   | 532188967 | WASHER             |        | 1    |     |
| 54   | 874760636 | BOLT               |        | 1    |     |
| 55   | 532197636 | SPACER             |        | 1    |     |
| 57   | 532407465 | BRACKET            |        | 1    |     |
| 58   | 532194747 | BOLT               |        | 1    |     |
| 59   | 532194748 | WASHER             |        | 1    |     |
| 60   | 873971000 | NUT                |        | 1    |     |
| 61   | 532194740 | LINK               |        | 1    |     |
| 62   | 532194741 | LINK               |        | 1    |     |
| 63   | 817000512 | SCREW              |        | 1    |     |
| 64   | 532199849 | SPRING RETAINER    |        | 1    |     |
| 65   | 532194734 | BRACKET            |        | 1    |     |
| 66   | 871020748 | BOLT               |        | 1    |     |
| 67   | 532194737 | BUSHING            |        | 1    |     |
| 68   | 873900700 | NUT                |        | 1    |     |
| 69   | 532199162 | WASHER             |        | 1    |     |
| 70   | 532196197 | BRACKET            |        | 1    |     |
| 71   | 532196075 | SHAFT              |        | 1    |     |
| 72   | 874780572 | BOLT               |        | 1    |     |
| 74   | 532124937 | BEARING COL. STRG. |        | 1    |     |

PART NO

REMARK

KIT

