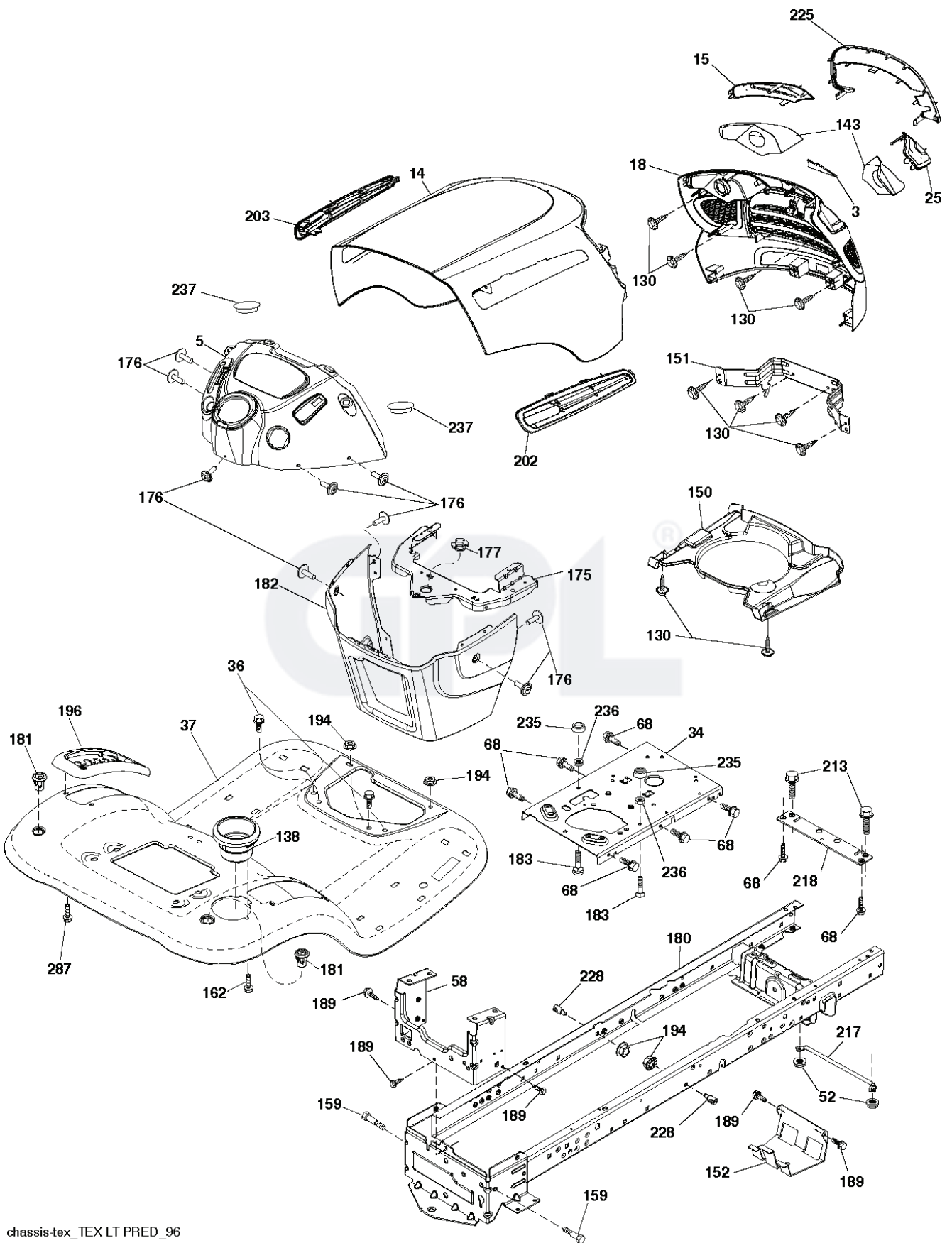


M165-107T, 96041035500, 2013-06

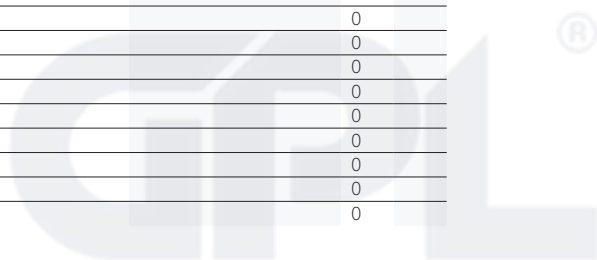


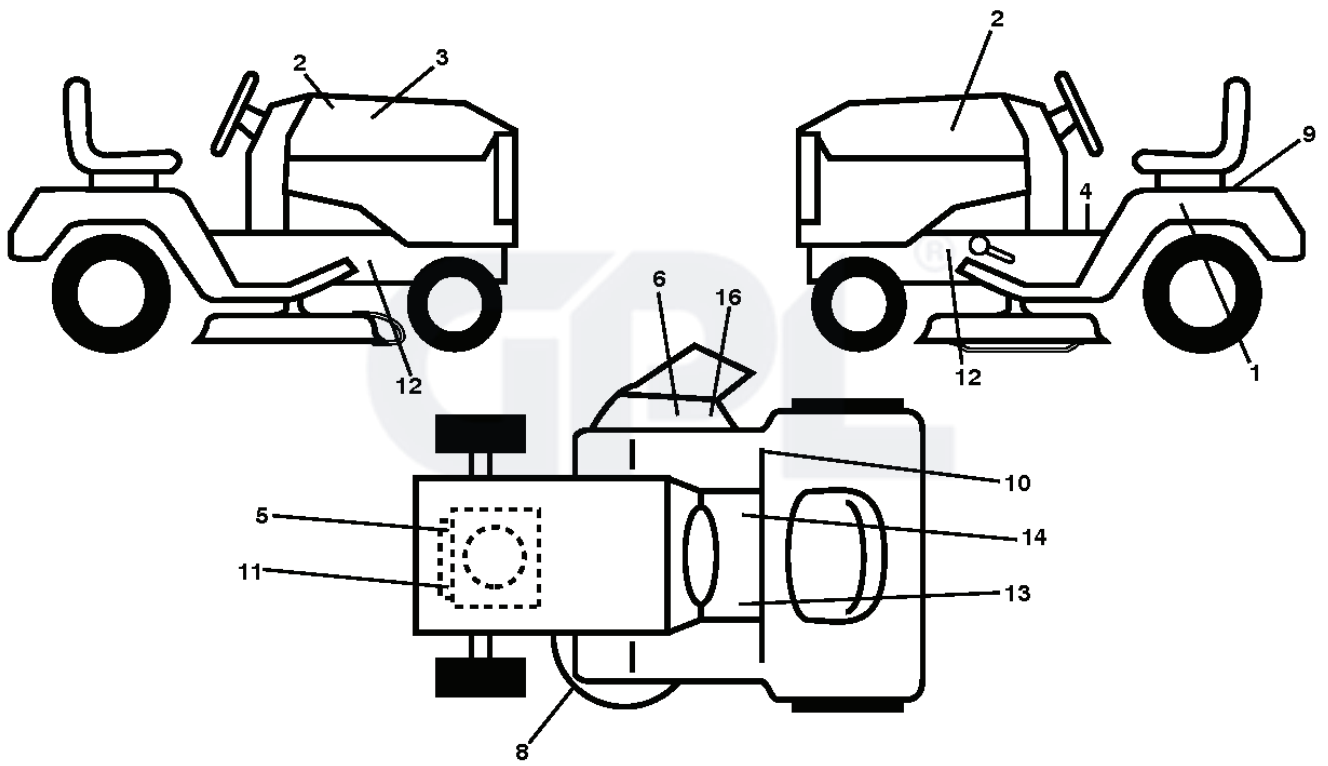
---

**SPARE PARTS LIST**



| REF. | PART NO.  | DESCRIPTION   | REMARK | QTY. | KIT |
|------|-----------|---------------|--------|------|-----|
| 3    | 578897101 | DECAL         |        | 1    |     |
| 5    | 532409597 | PANEL         |        | 0    |     |
| 14   | 581564701 | HOOD          |        | 0    |     |
| 15   | 581055801 | LENS          |        | 1    |     |
| 18   | 581055701 | GRILLE        |        | 0    |     |
| 25   | 581055901 | LENS          |        | 1    |     |
| 34   | 580910801 | CHASSIS       |        | 0    |     |
| 36   | 817060512 | SCREW         |        | 0    |     |
| 37   | 532420796 | FENDER        |        | 0    |     |
| 52   | 873680500 | NUT           |        | 0    |     |
| 58   | 532412280 | PLATE         |        | 1    |     |
| 68   | 817490508 | SCREW         |        | 0    |     |
| 130  | 532416358 | SCREW         |        | 0    |     |
| 138  | 532409730 | CONSOLE       |        | 0    |     |
| 143  | 581056002 | INSERT        |        | 1    |     |
| 150  | 532400267 | AIR CONDUCTOR |        | 0    |     |
| 151  | 532187568 | BRACKET       |        | 0    |     |
| 152  | 532199535 | SHIELD        |        | 0    |     |
| 159  | 817000612 | SCREW         |        | 0    |     |
| 162  | 532142432 | SCREW         |        | 0    |     |
| 175  | 532199472 | PLATE         |        | 0    |     |
| 176  | 532400776 | SCREW         |        | 0    |     |
| 177  | 532195228 | BUSHING       |        | 0    |     |
| 180  | 532415063 | FRAME         |        | 0    |     |
| 181  | 532404796 | BUSHING       |        | 0    |     |
| 182  | 532407176 | DASH          |        | 0    |     |
| 183  | 874520520 | BOLT          |        | 0    |     |
| 189  | 817000512 | SCREW         |        | 0    |     |
| 194  | 873900500 | NUT           |        | 0    |     |
| 196  | 532414581 | CONSOLE       |        | 0    |     |
| 202  | 581564901 | VENT          |        | 1    |     |
| 203  | 581564801 | VENT          |        | 1    |     |
| 213  | 874760512 | BOLT          |        | 0    |     |
| 217  | 532409167 | ROD           |        | 0    |     |
| 218  | 532196395 | PLATE         |        | 0    |     |
| 225  | 581056201 | TRIM          |        | 0    |     |
| 228  | 532195161 | STUD          |        | 0    |     |
| 235  | 532406129 | SPACER        |        | 0    |     |
| 236  | 873930500 | NUT           |        | 0    |     |
| 237  | 532403704 | PLUG          |        | 0    |     |
| 287  | 817600406 | SCREW         |        | 0    |     |

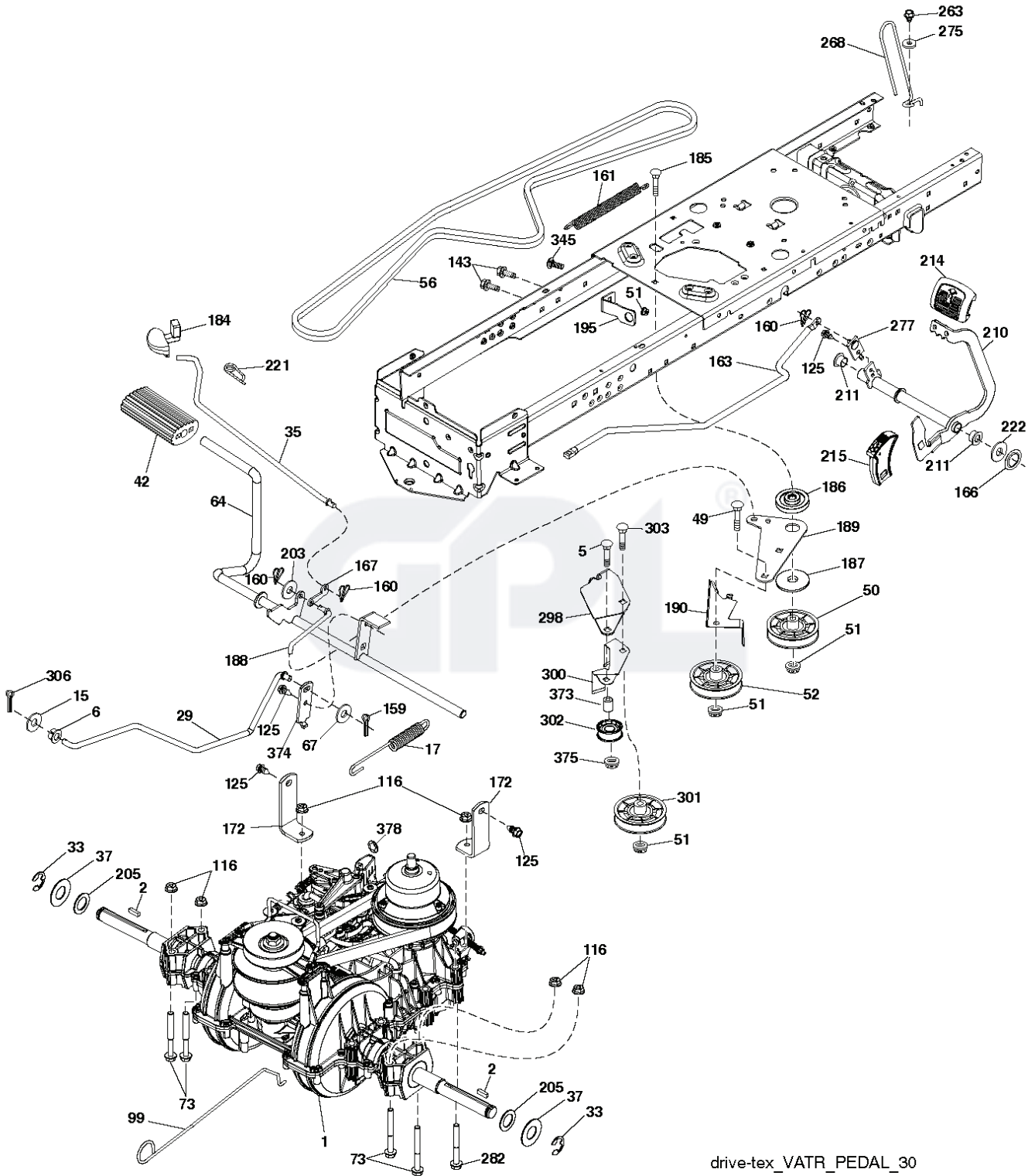




---

| REF. | PART NO.  | DESCRIPTION | REMARK | QTY. | KIT |
|------|-----------|-------------|--------|------|-----|
| 1    | 581953101 | DECAL       |        | 0    |     |
| 2    | 581091201 | DECAL       |        | 0    |     |
| 3    | 581591901 | DECAL       |        | 1    |     |
| 4    | 581578101 | DECAL       |        | 0    |     |
| 5    | 532437415 | DECAL       |        | 0    |     |
| 6    | 584904601 | DECAL       |        | 1    |     |
| 8    | 581580001 | DECAL       |        | 0    |     |
| 9    | 532145005 | DECAL       |        | 0    |     |
| 10   | 581724101 | DECAL       |        | 0    |     |
| 11   | 581579701 | DECAL       |        | 0    |     |
| 12   | 581579601 | DECAL       |        | 0    |     |
| 13   | 581724001 | DECAL       |        | 0    |     |
| 14   | 581578001 | DECAL       |        | 0    |     |
| 16   | 581579201 | DECAL       |        | 0    |     |
| --   | 581724601 | DECAL       |        | 0    |     |
| --   | 581724801 | DECAL       |        | 1    |     |
| --   | 581724801 | DECAL       |        | 1    |     |
| --   | 532409505 | PAD         |        | 1    |     |
| --   | 532409507 | PAD         |        | 0    |     |



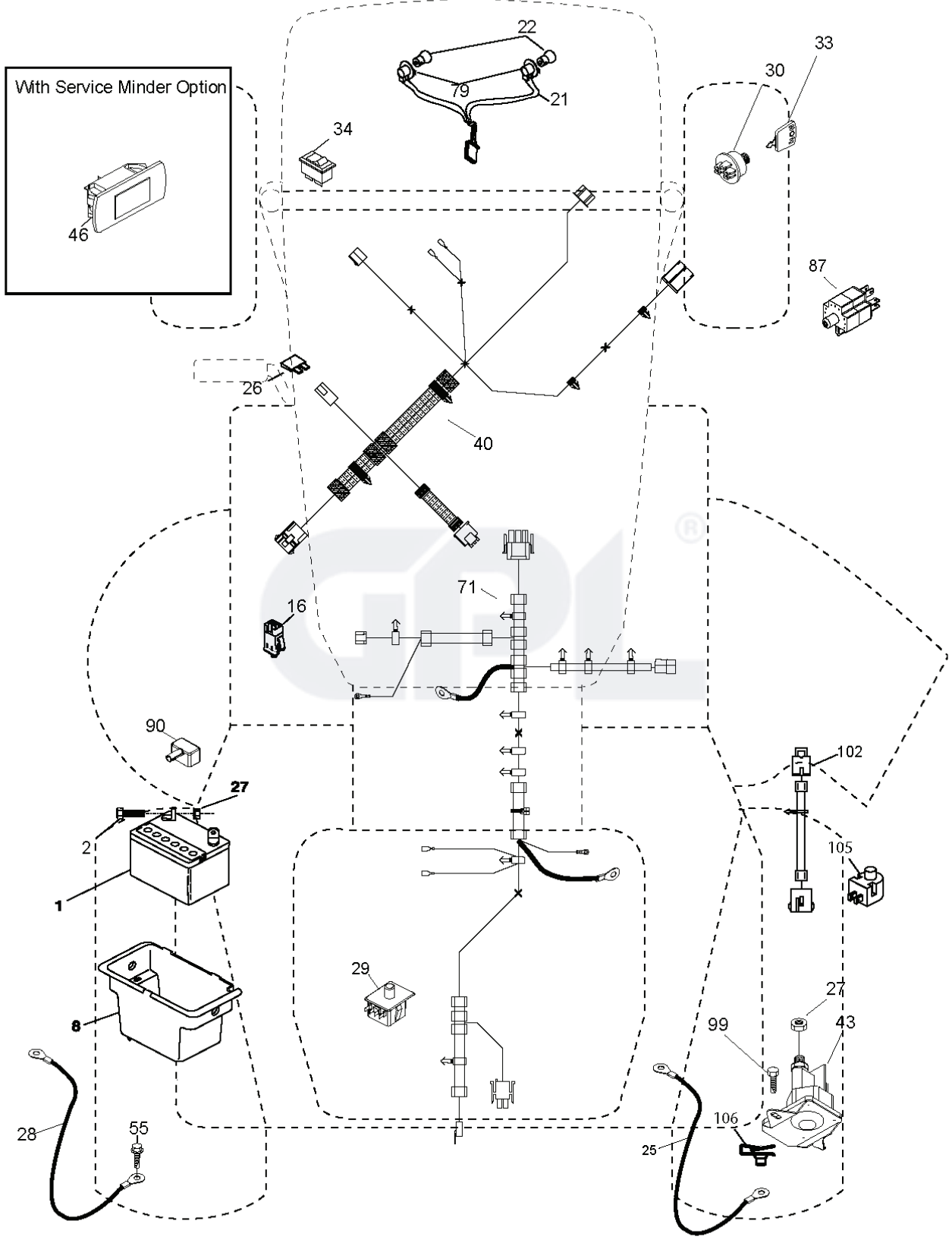
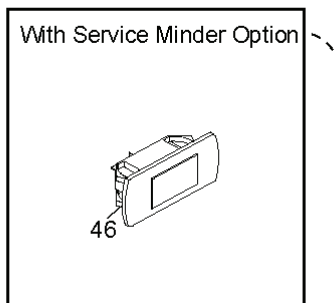


drive-tex\_VATR\_PEDAL\_30

| REF. | PART NO.  | DESCRIPTION     | REMARK                                      | QTY. | KIT |
|------|-----------|-----------------|---|------|-----|
| 1    | 000000000 | W/O DESCRIPTION | Transmission, Gentrans VATR,<br>(580486201) | 0    |     |
| 2    | 532123583 | KEY             |   | 0    |     |
| 5    | 874760636 | BOLT            |   | 1    |     |
| 6    | 532124028 | BUSHING         |   | 1    |     |
| 15   | 819131316 | WASHER          |   | 0    |     |
| 17   | 584954001 | SPRING          |   | 0    |     |
| 29   | 584823101 | ROD             |   | 1    |     |
| 33   | 812000001 | RETAINER RING   |   | 0    |     |
| 35   | 532401031 | ROD             |   | 0    |     |
| 37   | 532188967 | WASHER          |   | 1    |     |
| 42   | 532124872 | PEDAL RUBBER    |   | 0    |     |
| 49   | 872110614 | BOLT            |   | 0    |     |
| 50   | 532194327 | PULLEY          |   | 0    |     |
| 51   | 873900600 | NUT             |   | 0    |     |
| 52   | 532194326 | PULLEY          |   | 0    |     |
| 56   | 581603801 | BELT            |   | 1    |     |
| 64   | 532448353 | SHAFT           |   | 1    |     |
| 67   | 819131312 | WASHER          |   | 1    |     |
| 73   | 874490540 | BOLT            |   | 0    |     |
| 99   | 532435935 | ROD             |   | 1    |     |
| 116  | 873900500 | NUT             |   | 0    |     |
| 125  | 817000512 | SCREW           |   | 0    |     |
| 143  | 817490508 | SCREW           |   | 1    |     |
| 159  | 876020412 | SPLIT PIN       |   | 0    |     |
| 160  | 532169484 | PIN             |   | 0    |     |
| 161  | 532105709 | SPRING          |   | 0    |     |
| 163  | 583971301 | ROD             |   | 1    |     |
| 166  | 532429164 | NUT             |   | 0    |     |
| 167  | 532405257 | LATCH           |   | 0    |     |
| 172  | 583974201 | STRAP           |   | 1    |     |
| 184  | 532441407 | BRAKE           |   | 0    |     |
| 185  | 872110622 | BOLT            |   | 0    |     |
| 186  | 532194321 | SPACER          |   | 0    |     |
| 187  | 819133210 | WASHER          |   | 0    |     |
| 188  | 532194323 | LINK            |   | 0    |     |
| 189  | 532194317 | PLATE           |   | 0    |     |
| 190  | 532194318 | BELT GUIDE      |   | 1    |     |
| 195  | 581504601 | BRACKET         |   | 1    |     |
| 203  | 819111116 | WASHER          |   | 1    |     |
| 205  | 532121748 | WASHER          |   | 0    |     |
| 210  | 532448270 | PEDAL           |   | 1    |     |
| 211  | 532120183 | BEARING         |   | 1    |     |
| 214  | 532421263 | PAD             |   | 1    |     |
| 215  | 532448254 | PAD             |   | 1    |     |
| 221  | 532403187 | SPRING          |   | 0    |     |
| 222  | 879212010 | WASHER          |   | 1    |     |
| 263  | 817000612 | SCREW           |   | 0    |     |
| 268  | 819131614 | WASHER          |   | 0    |     |
| 275  | 532182402 | PROTECTOR       |   | 0    |     |
| 277  | 532448500 | LINK            |   | 1    |     |
| 282  | 874490548 | BOLT            |   | 1    |     |
| 298  | 532415683 | BRACKET         |   | 1    |     |
| 300  | 532415681 | IDLER           |   | 1    |     |
| 301  | 532415680 | IDLER           |   | 1    |     |
| 302  | 581420501 | PULLEY          |   | 1    |     |
| 303  | 872110618 | BOLT            |   | 1    |     |
| 306  | 876020416 | SPLIT PIN       |   | 1    |     |
| 345  | 872110606 | BOLT            |   | 1    |     |
| 373  | 581461801 | SPACER          |   | 1    |     |
| 374  | 581475201 | ARM             |   | 1    |     |
| 375  | 873680600 | NUT             |   | 1    |     |
| 378  | 584287701 | NUT             |   | 1    |     |

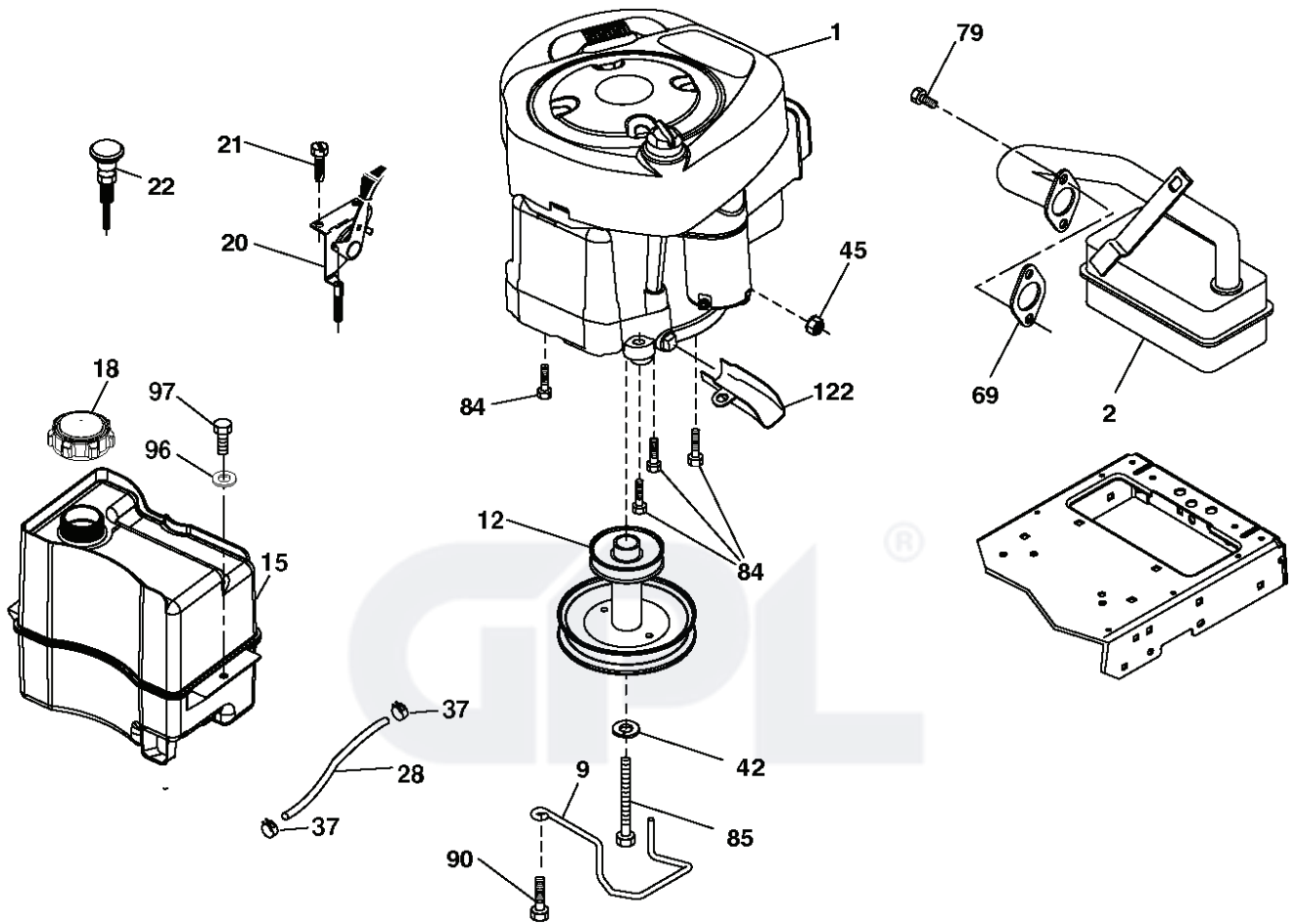


TR02K



| REF. | PART NO.  | DESCRIPTION     | REMARK | QTY. | KIT |
|------|-----------|-----------------|--------|------|-----|
| 1    | 532163465 | BATTERY         |        | 0    |     |
| 2    | 874760412 | BOLT            |        | 0    |     |
| 8    | 532193228 | BOX             |        | 0    |     |
| 16   | 532176138 | MICRO SWITCH    |        | 0    |     |
| 21   | 532400252 | HARNESS         |        | 0    |     |
| 22   | 532004152 | BULB            |        | 0    |     |
| 25   | 581498001 | CABLE           |        | 0    |     |
| 26   | 532175158 | FUSE            |        | 0    |     |
| 27   | 873510400 | NUT             |        | 0    |     |
| 28   | 532421686 | CABLE           |        | 0    |     |
| 29   | 532401545 | SWITCH          |        | 0    |     |
| 30   | 532193350 | IGNITION MODULE |        | 0    |     |
| 33   | 532411935 | KEY             |        | 0    |     |
| 34   | 532110712 | SWITCH          |        | 0    |     |
| 40   | 581023101 | HARNESS         |        | 0    |     |
| 43   | 532192507 | SOLENOID        |        | 0    |     |
| 55   | 817060512 | SCREW           |        | 0    |     |
| 71   | 581023001 | HARNESS         |        | 0    |     |
| 79   | 532175242 | HOLDER          |        | 0    |     |
| 87   | 532197802 | SWITCH          |        | 0    |     |
| 90   | 532435395 | TERMINAL COVER  |        | 0    |     |
| 99   | 817670412 | SCREW           |        | 1    |     |
| 102  | 581023401 | HARNESS         |        | 1    |     |
| 105  | 532407568 | SWITCH          |        | 1    |     |
| 106  | 532174814 | NUT             |        | 1    |     |





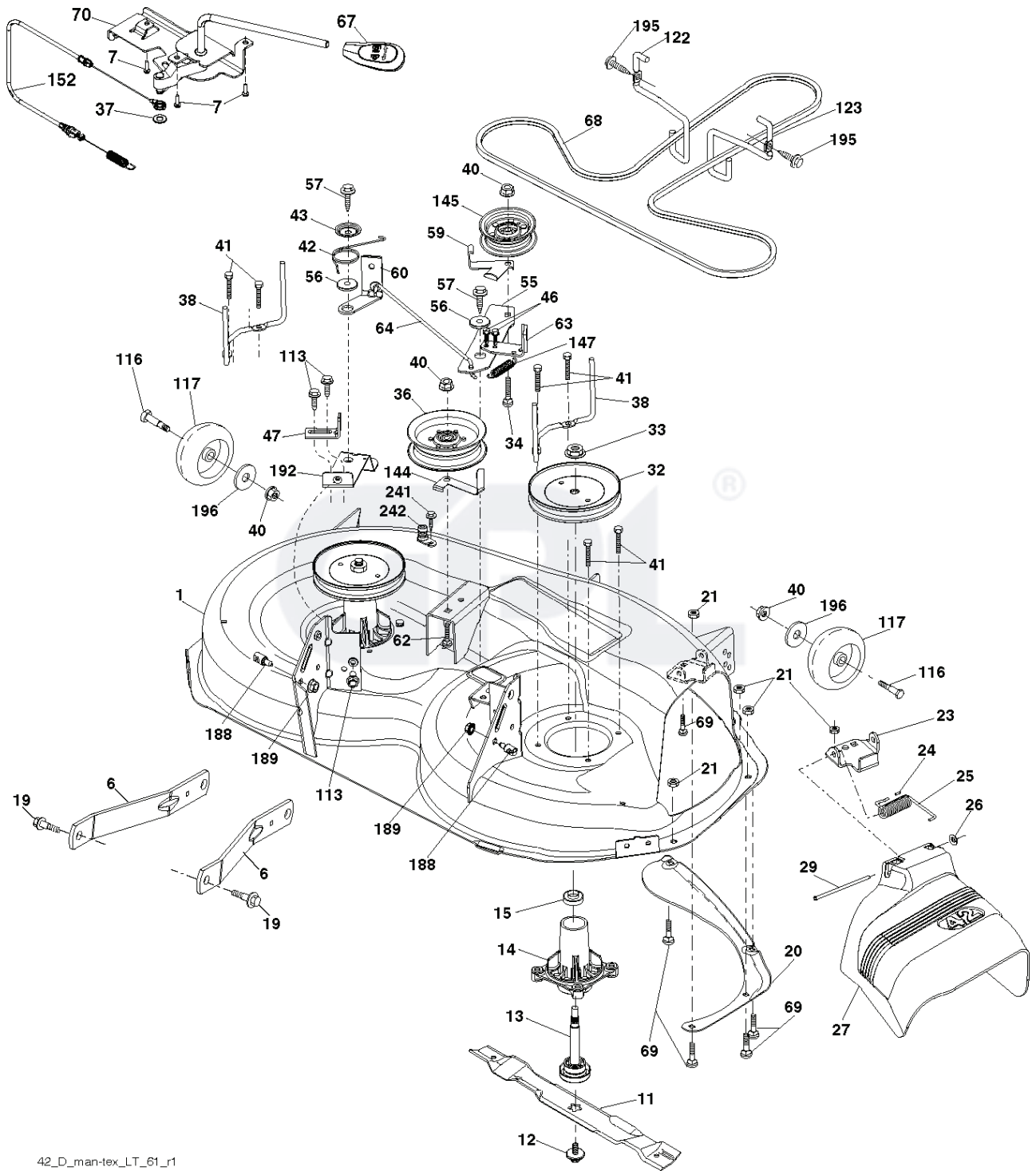
29

**OPTIONAL EQUIPMENT**

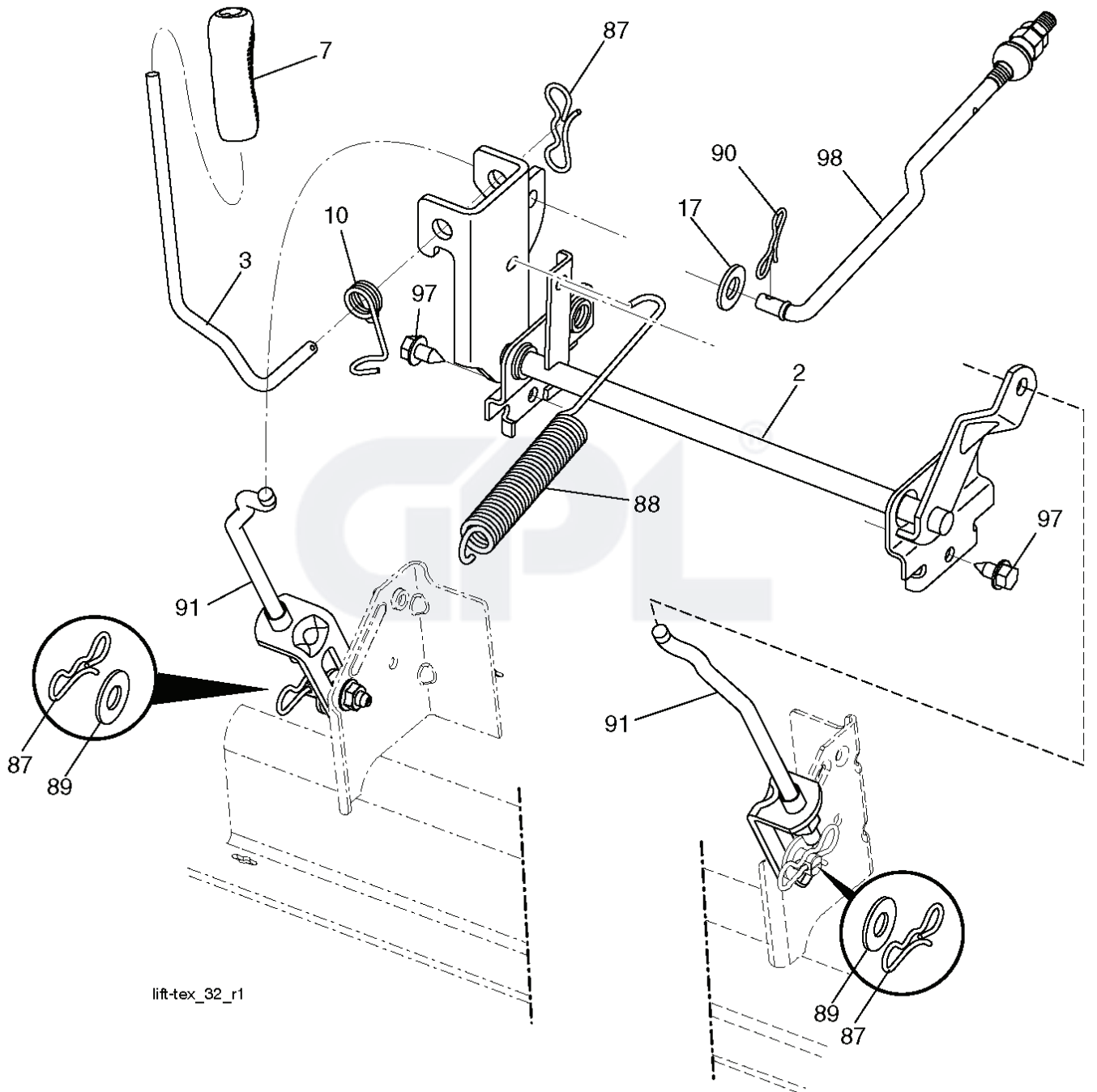
**Spark Arrester**

| REF. | PART NO.  | DESCRIPTION        | REMARK                            | QTY. | KIT |
|------|-----------|--------------------|-----------------------------------|------|-----|
| 1    | 000000000 | W/O DESCRIPTION    | B&S 31R607-0003-B1<br>(585688501) | 0    |     |
| 2    | 532137352 | MUFFLER            |                                   | 0    |     |
| 9    | 584908001 | KEEPER             |                                   | 0    |     |
| 12   | 586478501 | PULLEY             |                                   | 0    |     |
| 15   | 581289901 | TANK               |                                   | 0    |     |
| 18   | 532430220 | FUEL CAP           |                                   | 0    |     |
| 20   | 532183897 | CONTROL            |                                   | 0    |     |
| 21   | 532416358 | SCREW              |                                   | 0    |     |
| 22   | 532194981 | CONTROL            |                                   | 0    |     |
| 28   | 532137040 | HOSE               |                                   | 0    |     |
| 29   | 532137180 | SPARK ARRESTER KIT |                                   | 0    |     |
| 37   | 532123487 | HOSE CLAMP         |                                   | 0    |     |
| 42   | 810040700 | WASHER             |                                   | 0    |     |
| 45   | 873510400 | NUT                |                                   | 0    |     |
| 69   | 532165291 | GASKET             |                                   | 0    |     |
| 79   | 532192334 | SCREW              |                                   | 0    |     |
| 84   | 817060620 | SCREW              |                                   | 0    |     |
| 85   | 532173937 | BOLT               |                                   | 0    |     |
| 90   | 817000616 | SCREW              |                                   | 0    |     |
| 96   | 819091416 | WASHER             |                                   | 0    |     |
| 97   | 817670412 | SCREW              |                                   | 0    |     |
| 122  | 532421922 | EXTENSION PIPE     |                                   | 0    |     |





| REF. | PART NO.  | DESCRIPTION     | REMARK | QTY. | KIT |
|------|-----------|-----------------|--------|------|-----|
| 1    | 532196495 | HOUSING         |        | 0    |     |
| 6    | 532195186 | ARM             |        | 0    |     |
| 7    | 532416358 | SCREW           |        | 0    |     |
| 11   | 532138971 | BLADE           |        | 0    |     |
| 12   | 584309301 | SCREW           |        | 1    |     |
| 13   | 587256501 | SHAFT           |        | 0    |     |
| 14   | 532187281 | BEARING HOUSING |        | 0    |     |
| 15   | 585323901 | BEARING         |        | 0    |     |
| 19   | 532196539 | BOLT            |        | 0    |     |
| 20   | 532159770 | RAIL            |        | 0    |     |
| 21   | 873680500 | NUT             |        | 0    |     |
| 23   | 532192557 | HINGE           |        | 0    |     |
| 24   | 532105304 | HUB CAP         |        | 0    |     |
| 25   | 532197026 | TORSION SPRING  |        | 0    |     |
| 26   | 532110452 | NUT             |        | 0    |     |
| 27   | 532403004 | SHIELD          |        | 0    |     |
| 29   | 532131491 | SHAFT           |        | 0    |     |
| 32   | 532197473 | PULLEY          |        | 0    |     |
| 33   | 532400234 | NUT             |        | 0    |     |
| 34   | 872110612 | BOLT            |        | 0    |     |
| 36   | 532197379 | PULLEY          |        | 0    |     |
| 37   | 819131316 | WASHER          |        | 0    |     |
| 38   | 532432520 | KEEPER          |        | 0    |     |
| 40   | 873900600 | NUT             |        | 0    |     |
| 41   | 584953901 | BOLT            |        | 1    |     |
| 42   | 532198410 | SPRING          |        | 0    |     |
| 43   | 532197256 | SPRING          |        | 0    |     |
| 46   | 532137729 | SCREW           |        | 0    |     |
| 47   | 532197250 | BRACKET         |        | 0    |     |
| 55   | 532437110 | ARM             |        | 0    |     |
| 56   | 532199092 | SPACER          |        | 0    |     |
| 57   | 817000616 | SCREW           |        | 0    |     |
| 59   | 532141043 | GUARD           |        | 0    |     |
| 60   | 532197261 | ARM             |        | 0    |     |
| 62   | 872110616 | BOLT            |        | 0    |     |
| 63   | 532199477 | ARM             |        | 0    |     |
| 64   | 532199790 | LINK            |        | 0    |     |
| 67   | 532403012 | HANDLE          |        | 0    |     |
| 68   | 532429636 | BELT            |        | 0    |     |
| 69   | 872140505 | BOLT            |        | 0    |     |
| 70   | 532401246 | CLUTCH          |        | 0    |     |
| 113  | 817000510 | BOLT            |        | 0    |     |
| 116  | 532124842 | BOLT            |        | 0    |     |
| 117  | 532188606 | WHEEL           |        | 0    |     |
| 122  | 532197258 | BELT GUIDE      |        | 0    |     |
| 123  | 532197259 | BELT GUIDE      |        | 0    |     |
| 144  | 532199204 | BELT GUIDE      |        | 0    |     |
| 145  | 532193197 | PULLEY          |        | 0    |     |
| 147  | 532401971 | SPRING          |        | 0    |     |
| 152  | 584243501 | CABLE           |        | 0    |     |
| 188  | 532195161 | STUD            |        | 0    |     |
| 189  | 873900500 | NUT             |        | 0    |     |
| 192  | 532197260 | BRACKET         |        | 0    |     |
| 195  | 817000612 | SCREW           |        | 0    |     |
| 196  | 819121414 | WASHER          |        | 0    |     |
| 241  | 532152927 | SCREW           |        | 0    |     |
| 242  | 532415598 | HOSE COUPLING   |        | 0    |     |
| --   | 587253301 | MANDREL         |        | 0    |     |
| --   | 532437730 | CUTTING DECK    |        | 0    |     |



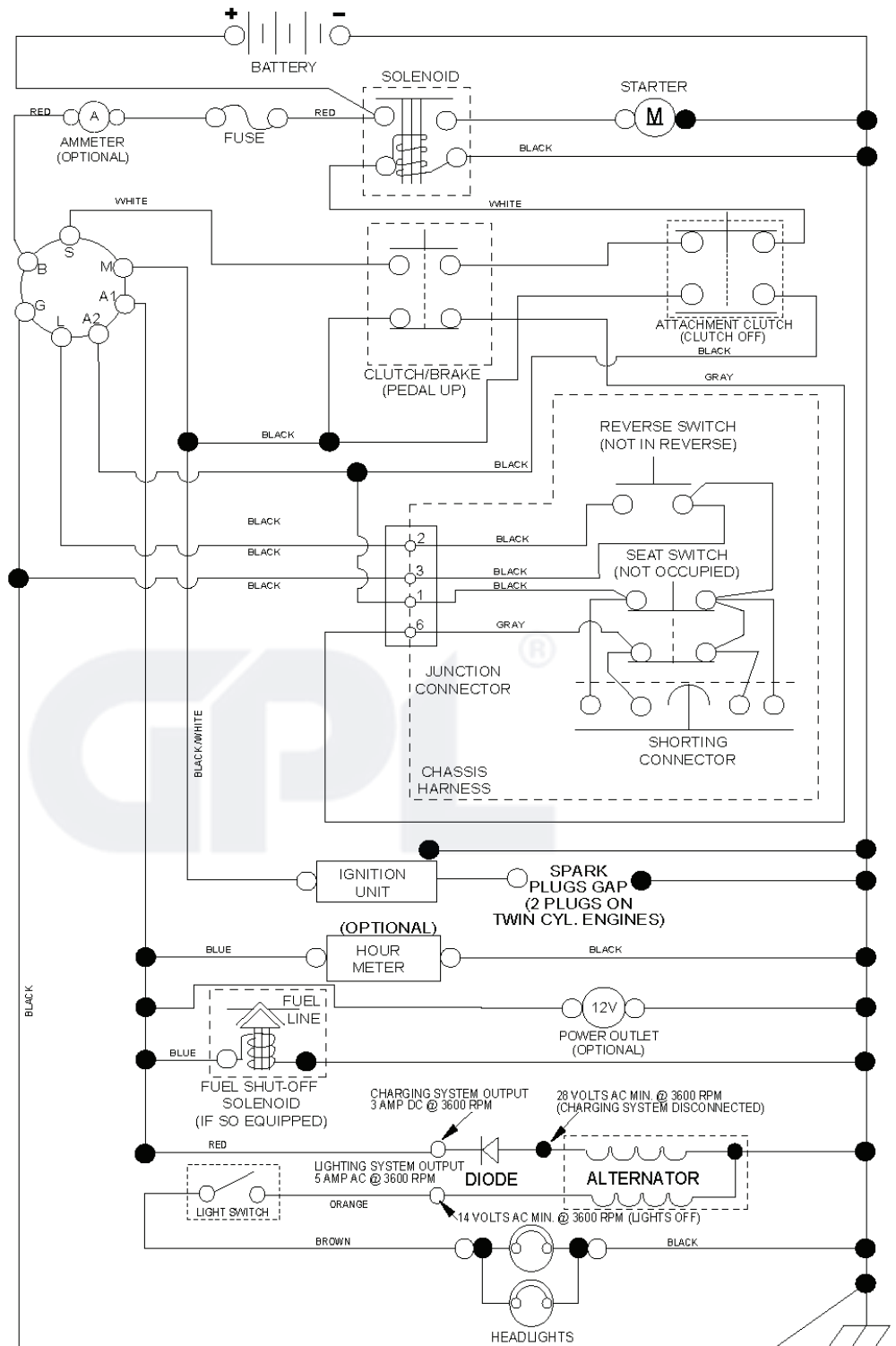
lift-tex\_32\_r1

---

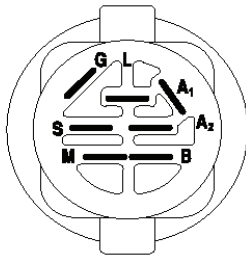
| REF. | PART NO.  | DESCRIPTION | REMARK | QTY. | KIT |
|------|-----------|-------------|--------|------|-----|
| 2    | 532422027 | SHAFT       |        | 0    |     |
| 3    | 532195231 | LEVER       |        | 0    |     |
| 7    | 580962301 | GRIP        |        | 0    |     |
| 10   | 532196314 | SPRING      |        | 0    |     |
| 17   | 819131312 | WASHER      |        | 1    |     |
| 87   | 532194209 | SPRING      |        | 0    |     |
| 88   | 532410710 | SPRING      |        | 0    |     |
| 89   | 819191912 | WASHER      |        | 0    |     |
| 90   | 532194208 | PIN         |        | 0    |     |
| 91   | 532197984 | LINK        |        | 0    |     |
| 97   | 817000612 | SCREW       |        | 0    |     |
| 98   | 532420525 | LINK        |        | 0    |     |

GPL®



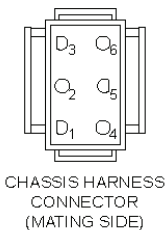


**NOTE**  
 YOUR TRACTOR IS EQUIPPED WITH A SPECIAL ALTERNATOR SYSTEM. THE LIGHTS ARE NOT CONNECTED TO THE BATTERY, BUT HAVE THEIR OWN ELECTRICAL SOURCE. BECAUSE OF THIS, THE BRIGHTNESS OF THE LIGHTS WILL CHANGE WITH ENGINE SPEED. AT IDLE THE LIGHTS WILL DIM. AS THE ENGINE IS SPEEDED UP, THE LIGHTS WILL BECOME THEIR BRIGHTEST.

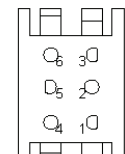


**IGNITION SWITCH**

| POSITION     | CIRCUIT | "MAKE" |
|--------------|---------|--------|
| OFF          | M+G+A1  |        |
| RUN/OVERRIDE | B+A1    |        |
| RUN          | B+A1    | L+A2   |
| START        | B+S+A1  |        |



CHASSIS HARNESS CONNECTOR (MATING SIDE)



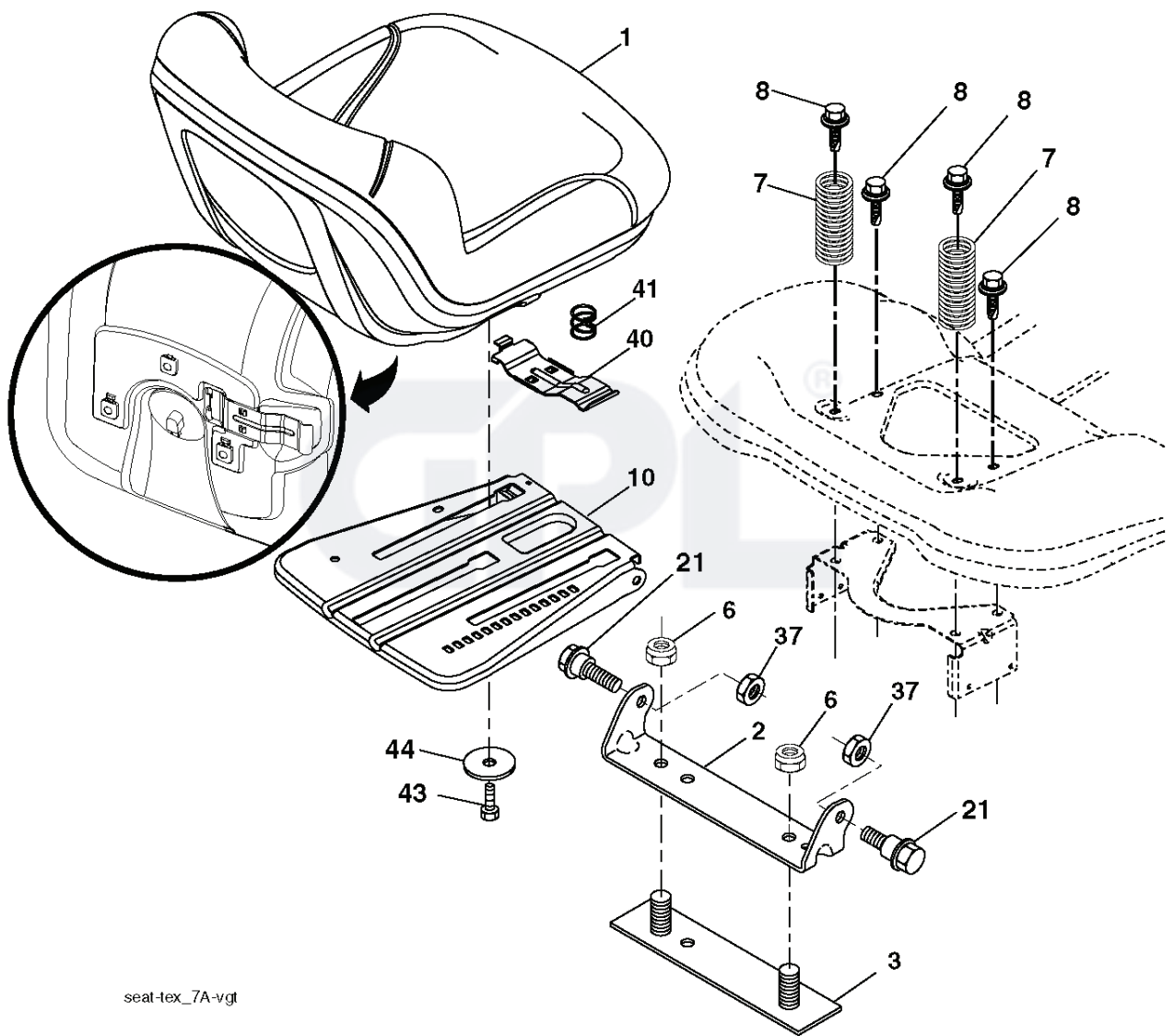
DASH HARNESS CONNECTOR (MATING SIDE)

**WIRING INSULATED CLIPS**  
 NOTE: IF WIRING INSULATED CLIPS WERE REMOVED FOR SERVICING OF UNIT, THEY SHOULD BE RE-INSTALLED TO PROPERLY SECURE YOUR WIRING.

NON-REMOVABLE CONNECTIONS

REMOVABLE CONNECTIONS



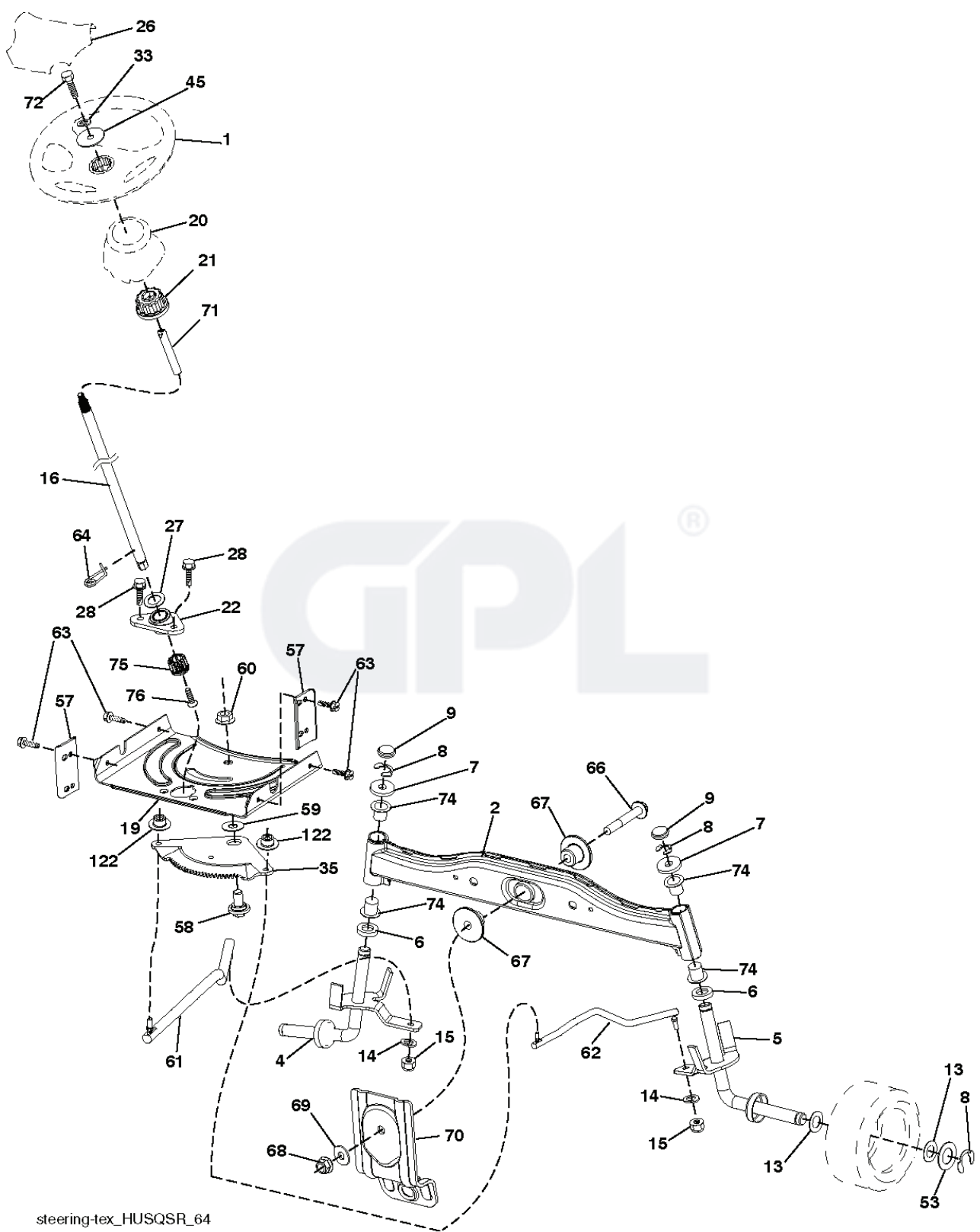


seat-tex\_7A-vgt

---

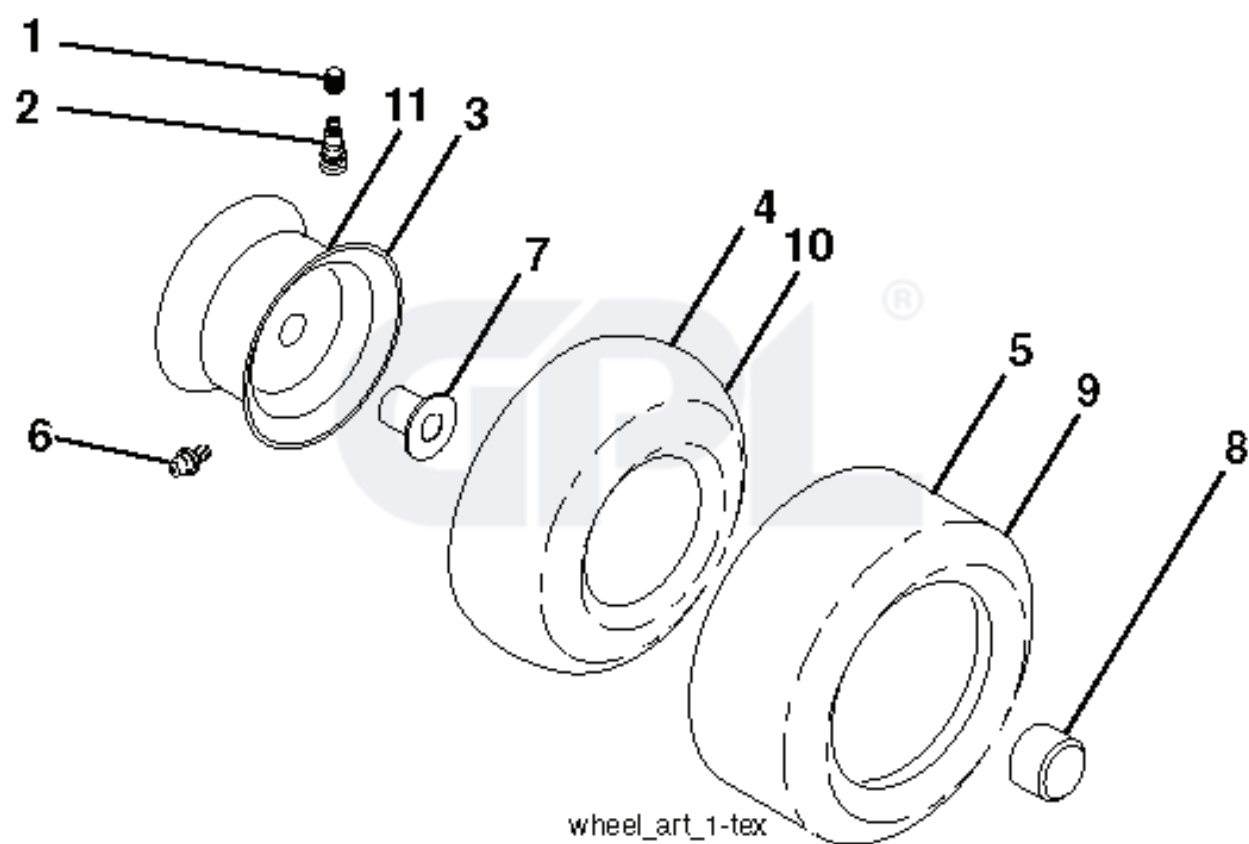
| REF. | PART NO.  | DESCRIPTION | REMARK | QTY. | KIT |
|------|-----------|-------------|--------|------|-----|
| 1    | 581462101 | SEAT        |        | 0    |     |
| 2    | 532180166 | BRACKET     |        | 0    |     |
| 3    | 532140675 | STRAP       |        | 0    |     |
| 6    | 873800600 | NUT         |        | 0    |     |
| 7    | 532124181 | SPRING      |        | 0    |     |
| 8    | 532171877 | BOLT        |        | 0    |     |
| 10   | 532196977 | PLATE       |        | 0    |     |
| 21   | 532171852 | BOLT        |        | 0    |     |
| 37   | 873800500 | LOCK NUT    |        | 0    |     |
| 40   | 532197661 | HANDLE      |        | 0    |     |
| 41   | 532198200 | SPRING      |        | 0    |     |
| 43   | 874760612 | BOLT        |        | 0    |     |
| 44   | 819133812 | WASHER      |        | 0    |     |





steering-tex\_HUSQSR\_64

| REF. | PART NO.  | DESCRIPTION        | REMARK | QTY. | KIT |
|------|-----------|--------------------|--------|------|-----|
| 1    | 532442804 | STEERING WHEEL     |        | 0    |     |
| 2    | 532418168 | AXLE               |        | 0    |     |
| 4    | 532403087 | SPINDLE            |        | 0    |     |
| 5    | 532403088 | SPINDLE            |        | 0    |     |
| 6    | 532124931 | WASHER             |        | 0    |     |
| 7    | 532121748 | WASHER             |        | 0    |     |
| 8    | 812000029 | RETAINER RING      |        | 0    |     |
| 9    | 532121232 | HUB CAP            |        | 0    |     |
| 13   | 532121749 | WASHER             |        | 0    |     |
| 14   | 810040600 | WASHER             |        | 0    |     |
| 15   | 873540600 | NUT                |        | 0    |     |
| 16   | 585869202 | SHAFT              |        | 0    |     |
| 19   | 532194729 | PLATE              |        | 0    |     |
| 20   | 532409763 | STEERING COLUMN    |        | 0    |     |
| 21   | 532186737 | ADAPTER            |        | 0    |     |
| 22   | 585029802 | BEARING            |        | 0    |     |
| 26   | 532447759 | CAP                |        | 0    |     |
| 27   | 819211616 | WASHER             |        | 1    |     |
| 28   | 817000612 | SCREW              |        | 0    |     |
| 33   | 810040500 | WASHER             |        | 0    |     |
| 35   | 532194732 | PLATE              |        | 0    |     |
| 45   | 819113812 | WASHER             |        | 0    |     |
| 53   | 532188967 | WASHER             |        | 0    |     |
| 57   | 532407465 | BRACKET            |        | 0    |     |
| 58   | 532194747 | BOLT               |        | 0    |     |
| 59   | 532194748 | WASHER             |        | 0    |     |
| 60   | 873971000 | NUT                |        | 0    |     |
| 61   | 532194740 | LINK               |        | 0    |     |
| 62   | 532194741 | LINK               |        | 0    |     |
| 63   | 817000512 | SCREW              |        | 0    |     |
| 64   | 532199849 | SPRING RETAINER    |        | 0    |     |
| 66   | 871020748 | BOLT               |        | 0    |     |
| 67   | 532194737 | BUSHING            |        | 0    |     |
| 68   | 873900700 | NUT                |        | 0    |     |
| 69   | 532199162 | WASHER             |        | 0    |     |
| 70   | 532196197 | BRACKET            |        | 0    |     |
| 71   | 532190752 | SHAFT              |        | 0    |     |
| 72   | 532428982 | BOLT               |        | 0    |     |
| 74   | 532124937 | BEARING COL. STRG. |        | 0    |     |
| 75   | 580683701 | PINION             |        | 1    |     |
| 76   | 580683601 | SCREW              |        | 1    |     |
| 122  | 532444962 | CAP                |        | 1    |     |



wheel\_art\_1-tex

| REF. | PART NO.  | DESCRIPTION  | REMARK              | QTY. | KIT |
|------|-----------|--------------|---------------------|------|-----|
| 1    | 532059192 | CAP VALVE    |                     | 1    |     |
| 2    | 532065139 | NIPPLE       |                     | 1    |     |
| 3    | 532125121 | RIM          | FRONT               | 1    |     |
| 4    | 532059904 | HOSE         | (Service Item Only) | 1    |     |
| 5    | 532106222 | TIRE         | FRONT               | 1    |     |
| 6    | 532124957 | FITTING      | (Front Wheel Only)  | 1    |     |
| 7    | 532124959 | BEARING      | (Front Wheel Only)  | 1    |     |
| 8    | 532193268 | HUB CAP      |                     | 1    |     |
| 9    | 532138468 | TIRE         | REAR                | 1    |     |
| 10   | 532124926 | HOSE         | (Service Item Only) | 1    |     |
| 11   | 532125122 | RIM          | REAR                | 1    |     |
| --   | 532144334 | SEALING FOAM |                     | 1    |     |
|      | PART NO.  |              | REMARK              |      | KIT |

