

ILLUSTRATED PARTS LIST

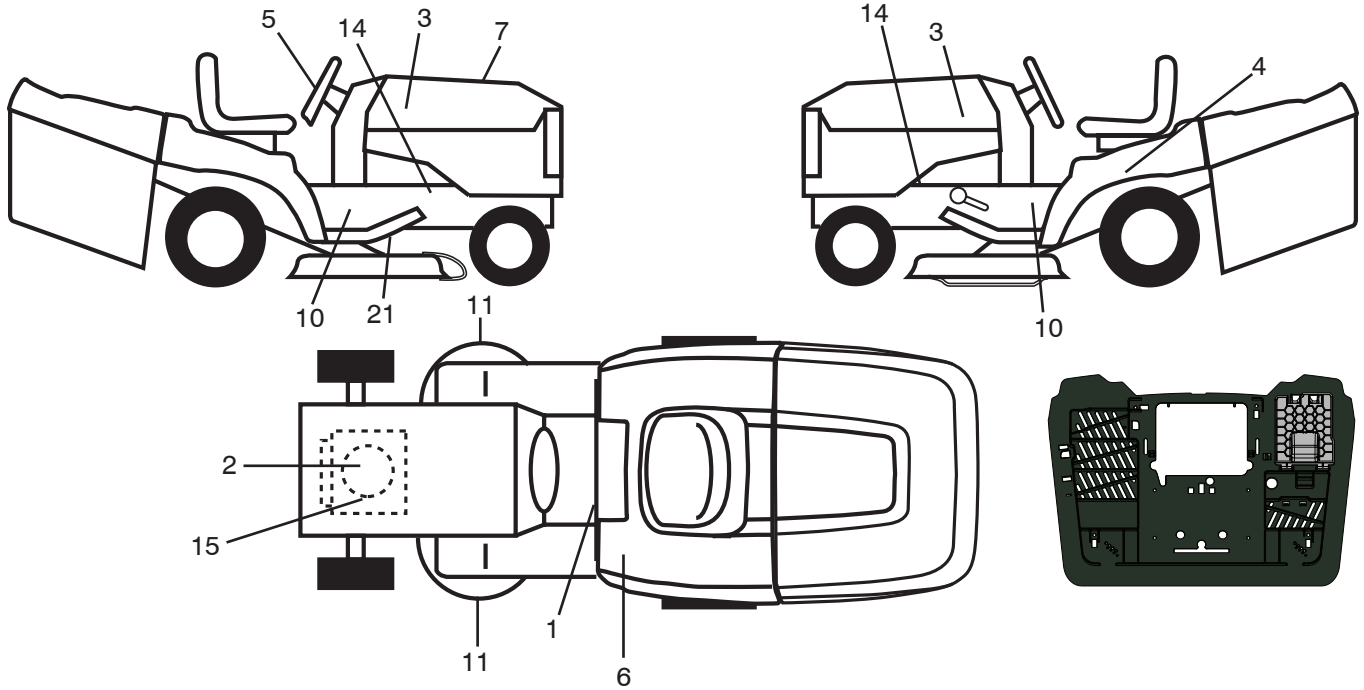
MFG. ID NO. 96051015101

CUST. CAT. NO. M155-107TC POWERDRIVE

PRODUCT NO. 960 51 01-51



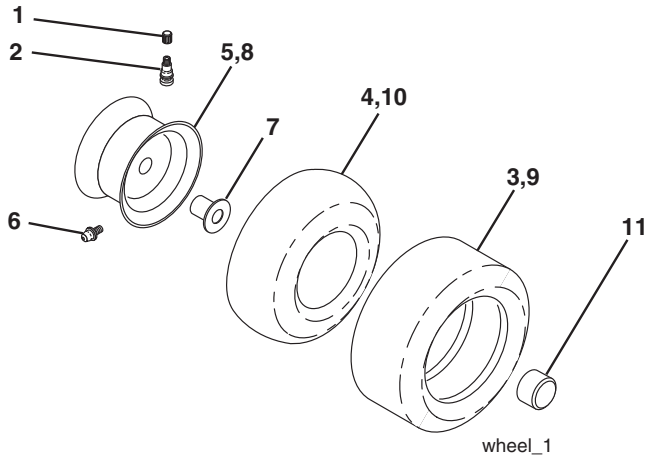
**TRACTOR - MODEL NO. M155-107TC (96051015101), PROD. NO. 960 51 01-51
DECALS 27**



KEY NO.	PART NO.	DESCRIPTION
1	581 57 83-01	Decal, Warning
2	581 57 97-01	Decal, Warning Eng. Sym.
3	581 09 12-01	Decal, Hood RH/LH
4	581 60 79-01	Decal, SD Fender
5	501 49 43-01	Decal, Steering Wheel
6	581 60 79-01	Decal, SDFNDR
7	596 74 99-01	Decal, Replacement
10	581 57 98-01	Decal, Warning Service/Fire
11	581 57 91-01	Decal, Mower Cut Finger Symbol
14	581 57 96-01	Decal, Chassis Hot Muffler

KEY NO.	PART NO.	DESCRIPTION
15	532 43 74-13	Decal, Engine HP
21	592 98 02-01	Decal, Belt Sch CRD
--	588 91 60-01	Decal, Hood RCG Stripes
--	583 90 19-01	Decal, Bypass
--	532 42 59-86	Pad Footrest RH
--	532 42 59-76	Pad Footrest LH
--	114 08 32-20	Manual Operator's (EURO)
--	114 08 33-10	Manual Operator's (SCAN)
--	114 08 34-50	Manual Operator's (EBLOC)
--	114 08 35-40	Manual Operator's (BALTIC)

WHEELS & TIRES



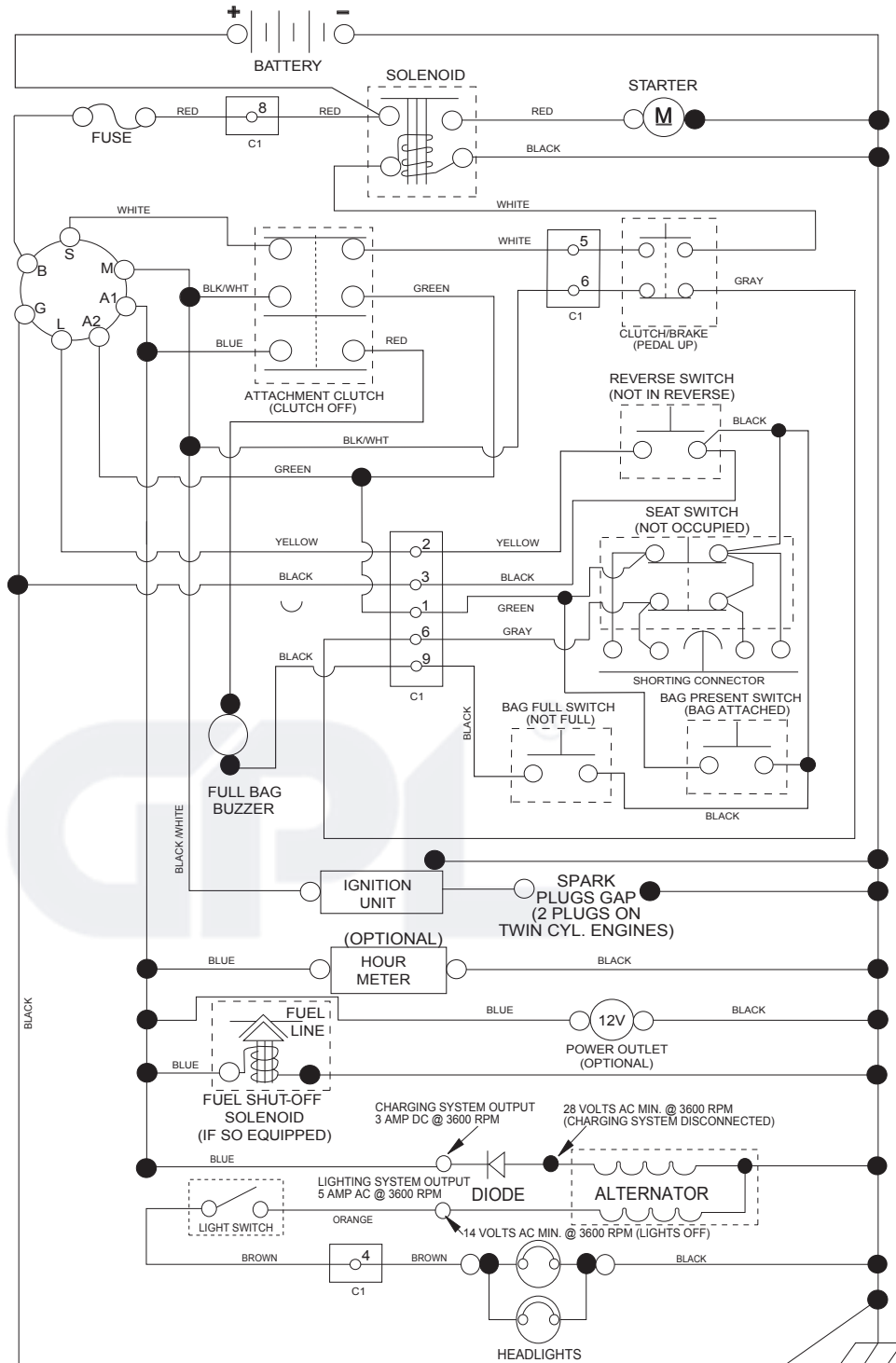
KEY NO.	PART NO.	DESCRIPTION
1	532 05 91-92	Cap Valve Tire
2	532 06 51-39	Stem Valve
3	532 10 62-22	Tire Front 15 x 6-6
4	532 05 99-04	Tube Inner Front #35060
5	532 12 51-21	Rim Asm 6" Front Silver Service
6	532 12 49-57	Fitting Grease
7	532 12 49-59	Bearing Flange
8	532 12 51-22	Rim Asm 8" Rear Silver Service
9	532 42 05-31	Tire Rear 18 x 9.5-8
10	532 12 49-26	Tube Rear 9 5 x 8 Service
11	532 19 32-68	Cap Axle Yellow 1 50 x 1 00
--	532 14 43-34	Sealant, Tire (10 oz. Tube)

NOTE: All component dimensions given in U.S. inches
1 inch = 25.4 mm

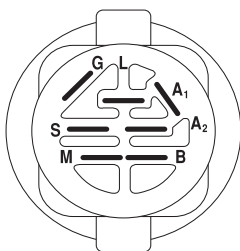
TRACTOR - MODEL NO. M155-107TC (96051015101), PROD. NO. 960 51 01-51

SCHEMATIC **38**

SCH17

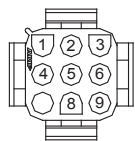


NOTE
 YOUR TRACTOR IS EQUIPPED WITH A SPECIAL ALTERNATOR SYSTEM. THE LIGHTS ARE NOT CONNECTED TO THE BATTERY, BUT HAVE THEIR OWN ELECTRICAL SOURCE. BECAUSE OF THIS, THE BRIGHTNESS OF THE LIGHTS WILL CHANGE WITH ENGINE SPEED. AT IDLE THE LIGHTS WILL DIM. AS THE ENGINE SPEED IS INCREASED, THE LIGHTS WILL BECOME THEIR BRIGHTEST.

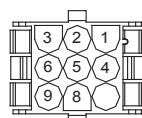


IGNITION SWITCH

POSITION	CIRCUIT	"MAKE"
OFF	M+G+A1	
RUN/OVERRIDE	B+A1	
RUN	B+A1	L+A2
START	B + S + A1	



CHASSIS HARNESS CONNECTOR (C1) (MATING SIDE)



DASH HARNESS CONNECTOR (C1) (MATING SIDE)

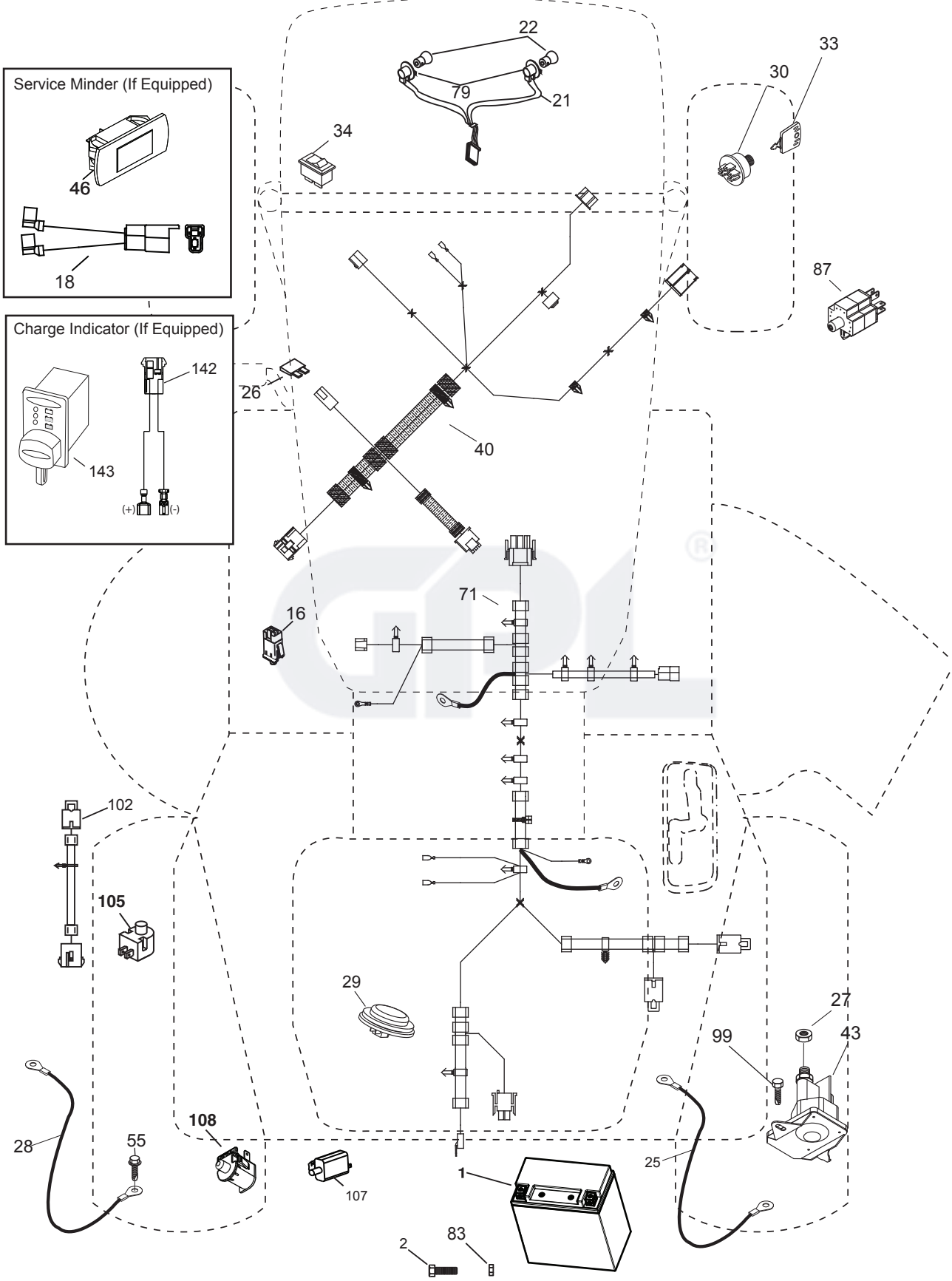
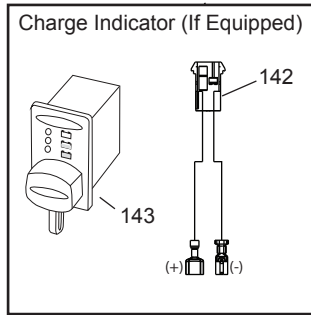
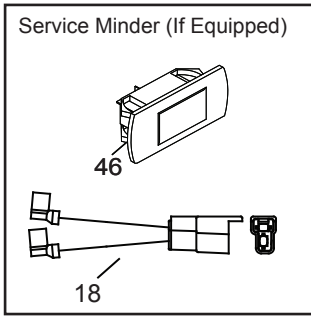
WIRING INSULATED CLIPS
 NOTE: IF WIRING INSULATED CLIPS WERE REMOVED FOR SERVICING OF UNIT, THEY SHOULD BE RE-INSTALLED TO PROPERLY SECURE YOUR WIRING.

NON-REMOVABLE CONNECTIONS

REMOVABLE CONNECTIONS

TRACTOR - MODEL NO. M155-107TC (96051015101), PROD. NO. 960 51 01-51
ELECTRICAL **32**

TC03S

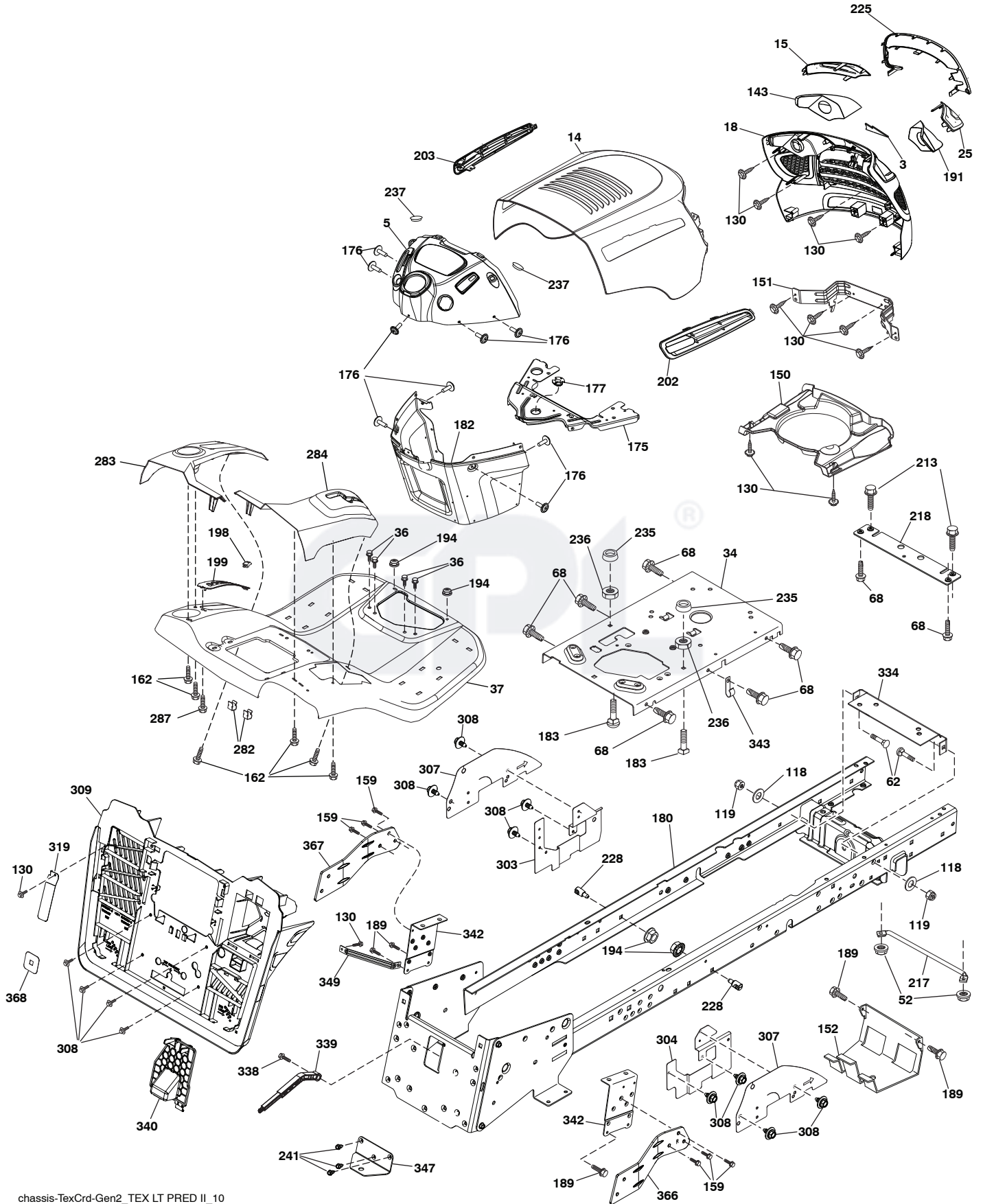


**TRACTOR - MODEL NO. M155-107TC (96051015101), PROD. NO. 960 51 01-51
ELECTRICAL 32**

KEY NO.	PART NO.	DESCRIPTION
1	532 43 71-57	Battery
2	532 44 09-23	Screw Hex Hd Cap M6 x 1.12mm
16	532 17 61-38	Switch Interlock
21	532 40 02-52	Harness Asm Light w/4152J
22	532 00 41-52	Bulb Light #1156
25	532 44 13-82	Cable Battery 8 AWG 20"-Red
26	532 17 51-58	Fuse
27	873 51 04-00	Nut Keps Hex 1/4-20 unc
28	532 44 13-83	Cable Ground 8 AWG 20"-Black
29	532 40 15-45	Switch Seat
30	532 19 33-50	Switch Ignition
33	532 41 19-35	Key/Chain
34	532 11 07-12	Switch Light
40	532 42 10-02	Harness Ignition Dash
43	582 04 28-01	Solenoid
55	817 06 05-12	Screw 5/16-18 x 3/4
71	581 02 33-01	Harness Chassis
79	532 17 52-42	Socket Asm.
83	532 43 67-74	Nut Square M6 x 1 x 8.5 x 11mm
87	532 42 10-60	Switch Railmount
99	817 00 05-12	Screw 5/16-18 x 3/4
102	581 02 35-01	Harness Pigtail
105	532 40 75-68	Switch Reverse
107	532 18 03-79	Switch Full Bagger Indicator
108	532 42 10-62	Switch Snapmount

NOTE: All component dimensions given in U.S. inches
1 inch = 25.4 mm

TRACTOR - MODEL NO. M155-107TC (96051015101), PROD. NO. 960 51 01-51
CHASSIS AND ENCLOSURES **39**

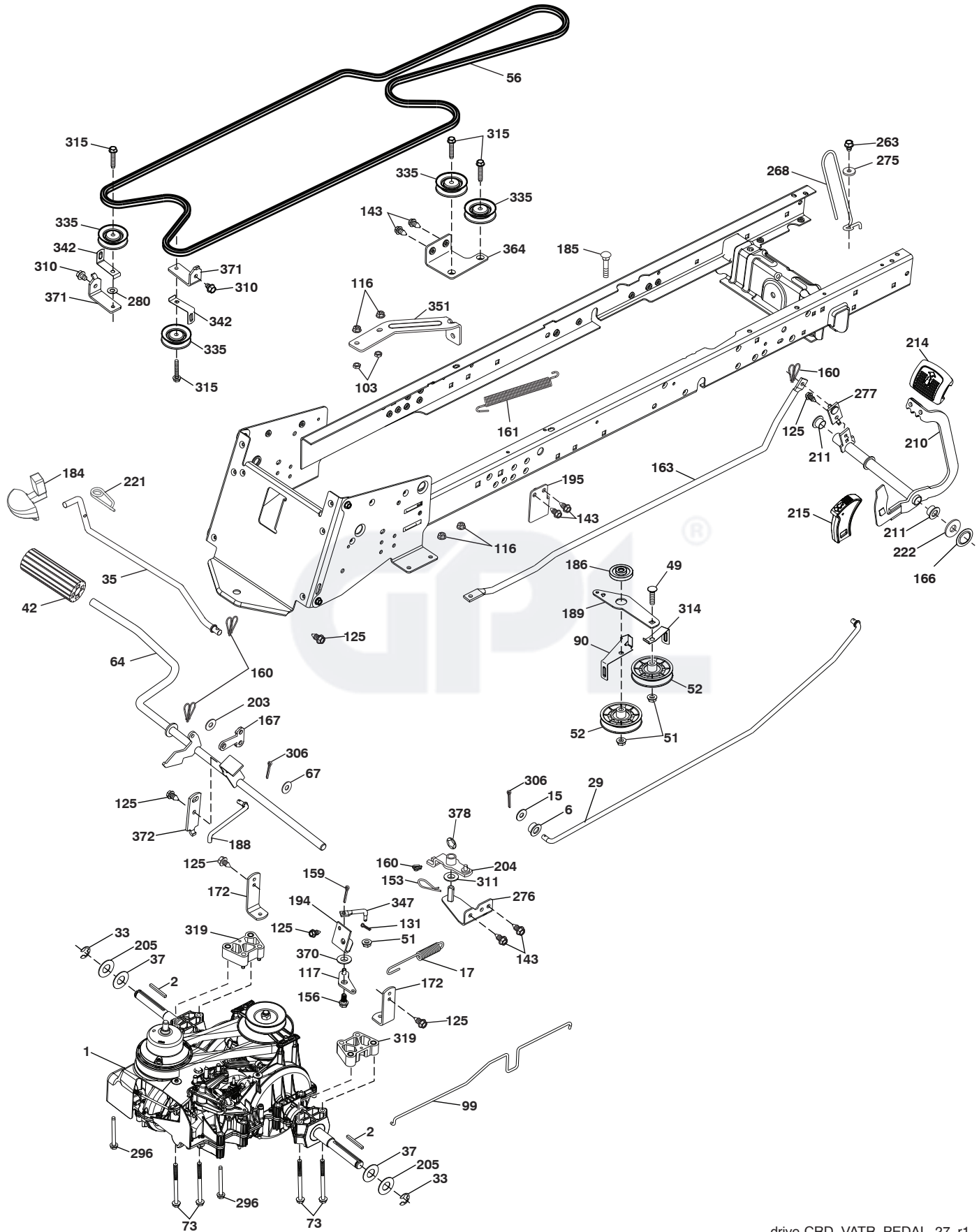


**TRACTOR - MODEL NO. M155-107TC (96051015101), PROD. NO. 960 51 01-51
CHASSIS AND ENCLOSURES 39**

KEY NO.	PART NO.	DESCRIPTION	KEY NO.	PART NO.	DESCRIPTION
3	578 89 71-01	Emblem Mount	213	539 97 69-34	Bolt 5/16-18 x 3/4 Gr. 5 ZD
5	585 52 98-05	Dash	217	532 40 91-67	Rod Pivot Hood
14	581 56 47-01	Hood	218	532 19 63-95	X-Piece Hood Stop
15	581 05 58-01	Lens LH	225	581 05 62-01	Trim Ring
18	581 05 57-01	Grille	228	532 19 51-61	Stud Fastener
25	581 05 59-01	Lens RH	235	532 40 61-29	Spacer Fender
34	580 91 09-01	Plate Engine	236	873 93 05-00	Nut Lock 5/16-18 unc
36	817 06 05-12	Screw 5/16-18 x 3/4	237	532 40 37-04	Plug Mount Cargo
37	532 44 08-49	Fender	241	817 06 05-16	Screw 5/16-18 x 1
52	873 68 05-00	Nut Crown Lock 5/16	282	532 41 41-10	Clip Retainer
62	872 11 06-08	Bolt 3/8-16 x 1 Gr. 5	283	532 44 76-71	Console Deck Lift
68	539 99 08-58	Screw Thdrl 5/16-18 x 1/2	284	532 44 72-11	Console Shift RH
118	819 13 13-16	Washer 13/32 x 13/16 x 16 Ga.	287	817 60 04-06	Screw Hex Washhead 1/4-20 x 3/8
119	873 68 06-00	Nut 3/8-16 unc	303	589 00 76-01	Shield, Chassis French LH
130	532 41 63-58	Screw #10 x 0.750 BOS Thread	304	589 00 68-01	Shield, Chassis French RH
143	581 05 60-01	Insert Reflective LH	307	587 49 45-01	Shield, Chassis Upper
150	532 40 02-67	Duct, Air	308	532 17 18-77	Bolt 5/16-18 unc x 3/4
151	532 18 75-68	Bracket Pivot Hood	309	581 32 89-11	Backplate Bagger
152	532 19 95-35	Shield Browning	319	581 31 39-06	Lever Bagger
159	817 00 06-12	Screw Hexwsh Thdr 3/8-16 x 3/4	334	532 44 25-37	Engine Plate
162	532 14 24-32	Screw Hex Wsh. Hi-Lo 1/4 x 1/2 unc	338	532 43 66-40	Bolt Shoulder
175	532 19 94-72	Crossmember	339	532 43 66-41	Lever Bagger Full
176	532 40 07-76	Screw 10-24 x 5/8	340	581 32 90-01	Door Battery
177	532 19 52-28	Bushing Steering	342	582 82 68-02	Support Fender
180	582 74 61-01	Chassis	343	532 44 07-49	Clip
182	532 40 71-76	Dash Lower	347	532 44 28-87	Hitch
183	874 52 05-20	Bolt 5/16-18 x 1-1/4	349	532 43 66-06	Bracket, Support
189	817 00 05-12	Screw 5/16-18 x 3/4	366	581 31 46-02	Bracket RH Front Bagger
191	581 05 60-02	Insert Reflective RH	367	581 31 45-02	Bracket LH Front Bagger
194	873 90 05-00	Nut Lock Hex Flange 5/16-18	368	581 42 48-01	Full Lever Bagger
198	532 44 80-48	Indicator Deck Lift			
199	532 41 87-39	Plate Deck Lift			
202	588 98 86-01	Vent Hood RH			
203	588 98 86-02	Vent Hood LH			

NOTE: All component dimensions given in U.S. inches
1 inch = 25.4 mm

TRACTOR - MODEL NO. M155-107TC (96051015101), PROD. NO. 960 51 01-51
DRIVE **40**

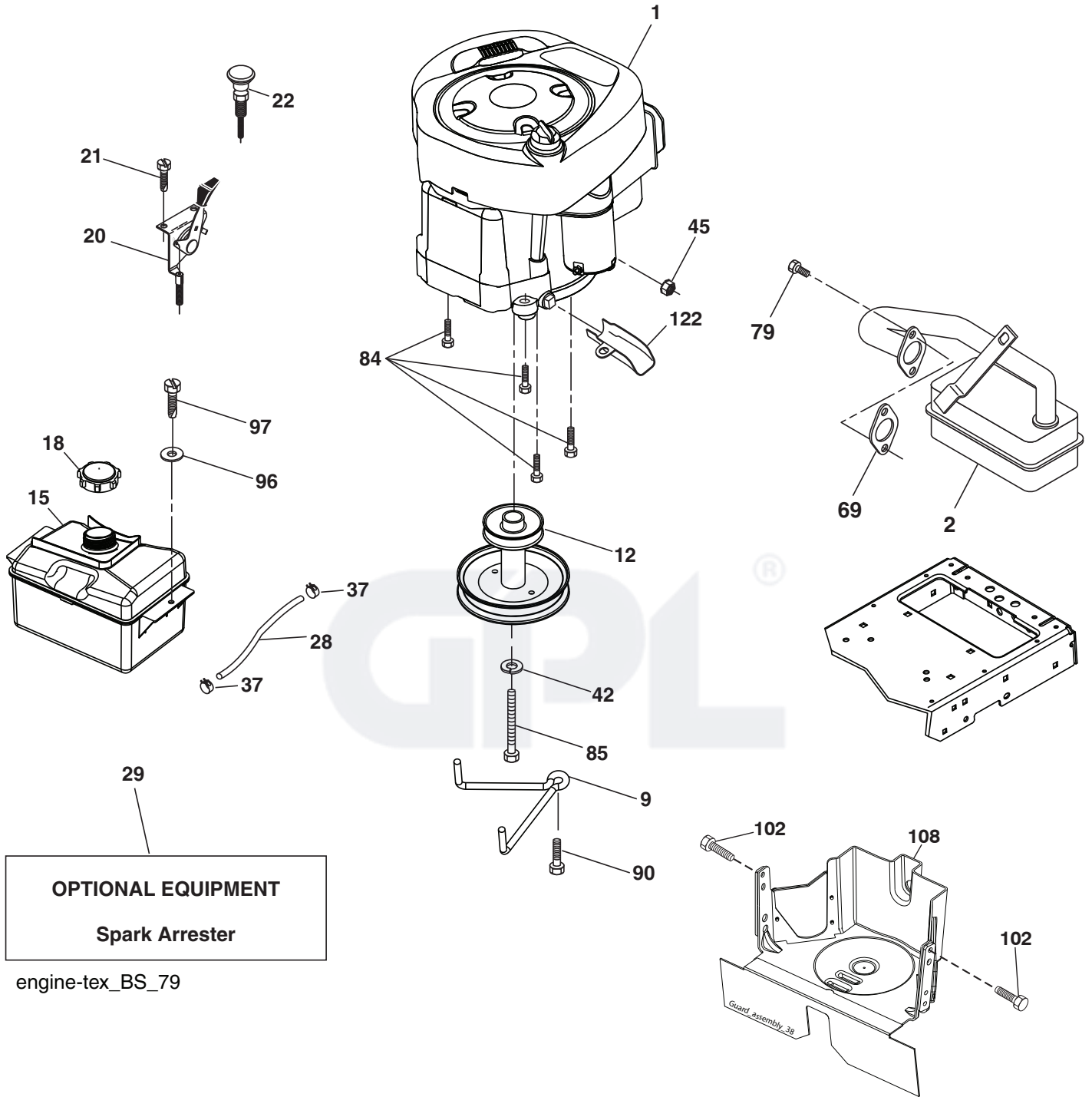


**TRACTOR - MODEL NO. M155-107TC (96051015101), PROD. NO. 960 51 01-51
DRIVE **40****

KEY NO.	PART NO.	DESCRIPTION	KEY NO.	PART NO.	DESCRIPTION
1	---	Transaxle, Gentrans Fast VATR. (590277701) (Order parts from transaxle manufacturer.)	188	582 21 70-01	Link Clutch Ground Drive Long
2	532 12 35-83	Key Square .2.0 x .1845/.1865	189	532 43 36-11	Bellcrank Groundrive
6	532 12 40-28	Bushing Snap	194	583 87 86-01	Bellcrank Brake
15	819 13 13-16	Washer 13/32 x 13/16 x 16 Ga.	195	580 45 69-02	Brake Bracket
17	580 32 52-01	Spring Brake	203	819 11 11-16	Washer 11/32 x 11/16 x 16 Ga.
29	581 50 35-01	Rod Brake	204	584 99 70-01	Link Pivot Pedal
33	812 00 00-01	E-Ring. #5133-75	205	532 12 17-48	Washer 25/32 x 1-5/8 x 16 Ga.
35	532 40 10-31	Rod Brake Parking. Lt.Tex	210	588 92 10-01	Weldment Pedal
37	532 18 89-67	Washer Harden .793 x 1.637 x 060	211	532 12 01-83	Bearing Nylon
42	532 12 48-72	Cover Pedal Blk Round	214	532 42 12-63	Pedal Forward Pad
49	872 11 06-14	Bolt Rdhd 3/8-16 Unc x 1-3/4.Gr 5	215	591 10 01-01	Cap Pedal Reverse
51	873 90 06-00	Nut, Hex, Flangelock 3/8-16	221	532 40 31-87	Retainer Spring Clip Handle
52	532 19 43-26	Idler V-Groove Offset	222	879 21 20-10	Washer 21/32 x 1-1/4 10 Ga.
56	532 44 69-91	Belt Drive	263	817 00 06-12	Screw Hxwsh Thdr 3/8-16 x 3/4
64	589 67 14-01	Shaft Asm. Pedal Brake	268	532 18 24-02	Guard Muffler
67	582 58 01-01	Washer Nylon 13/32 x 13/16 x 1.09	275	819 13 16-14	Washer 13/32 x 1 x 14 Ga.
73	580 83 04-01	Bolt Shoulder Transaxle	276	590 63 01-02	Bracket Control Pedal
90	532 44 36-05	Keeper Belt	277	532 44 85-00	Subasm. Link Rocker Pedal
99	580 35 40-01	Rod Bypass	280	819 11 10-12	Washer 11/32 x 5/8 x 12 Ga.
103	873 35 05-00	Nut Hex Jam 5/16-18 unc	296	532 42 04-71	Screw Thdrol 5/16-18 x 3
116	873 90 05-00	Nut, Lock Hex Flange 5/16-18 unc	306	876 02 04-16	Pin Cotter 1/8 x 1
117	580 38 29-01	Subasm Bellcrank Brake	310	817 49 06-08	Screw Thdrol 3/8-16 x 1/2
125	817 00 05-12	Screw 5/16-18 x 3/4 Smgml Tap/Bl	311	585 07 20-01	Washer Nylon
131	876 02 03-08	Pin Cotter 3/32 x 1/2	314	532 44 47-13	Keeper Belt
143	539 99 08-58	Screw Thdrol 5/16-18 x 1/2 Tytt	315	817 58 05-20	Screw Thdrol 5/16-18 x 1.25
153	532 12 49-61	Retainer Clip	319	580 45 74-01	Spacer Transaxle
156	580 36 90-01	Bolt Shoulder Brake	335	532 19 95-34	Pulley V-Idler
159	876 02 04-12	Pin Cotter 1/8 x 3/4	342	580 96 10-02	Keeper Belt Idler
160	532 16 94-84	Retainer Clip(M).Dia.290	347	580 32 51-01	Rod Connecting Brake
161	532 10 57-09	Spring Return Clutch 6.75	351	532 43 69-98	Bracket Swaybar
163	581 18 73-01	Rod Control Pedal	364	532 44 30-32	Bracket Idler
166	532 42 91-64	Nut Push .625	370	878 12 16-32	Washer Thrust 3/8 x 1 x .032
167	532 40 52-57	Latch Brake Parking	371	580 96 07-03	Bracket Idler
172	532 44 82-76	Strap Torque LH/RH	372	581 47 52-01	Arm Control Brake
184	532 41 14-84	Handle Parking Brake	378	584 28 77-01	Nut Push
185	872 11 06-22	Bolt Rdhd.3/8-16 u nc x 2-3/4 Gr.5			
186	532 19 43-21	Spacer Retainer			

NOTE: All component dimensions given in U.S. inches
1 inch = 25.4 mm

TRACTOR - MODEL NO. M155-107TC (96051015101), PROD. NO. 960 51 01-51
ENGINE 24



OPTIONAL EQUIPMENT
Spark Arrester

engine-tex_BS_79

**TRACTOR - MODEL NO. M155-107TC (96051015101), PROD. NO. 960 51 01-51
ENGINE 24**

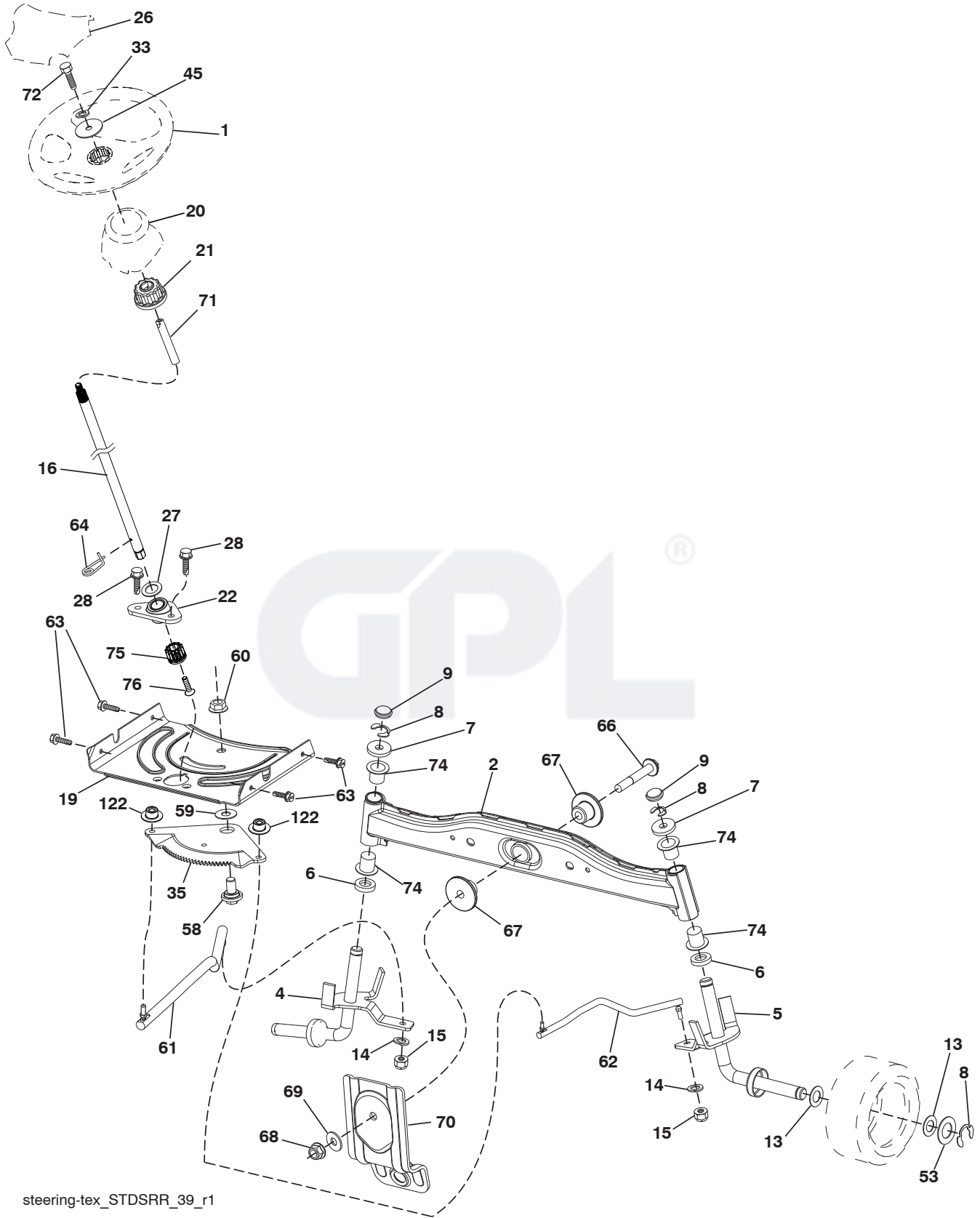
KEY NO.	PART NO.	DESCRIPTION
1	-----	Engine Briggs Model 31R507-0003-B5 (597389301) (Order parts from engine manufacturer.)
2	532 13 73-52	Muffler
9	583 84 78-01	Keeper Belt Engine
12	586 47 85-01	Pulley Engine
15	581 28 99-01	Tank Fuel
18	532 43 02-20	Cap Fuel
20	532 18 38-97	Control Throttle/Choke
21	532 41 63-58	Screw #10 x 0.750
22	532 19 49-81	Control Choke
28	532 13 70-40	Line Fuel
29	532 13 71-80	Kit Spark Arrester (Flat Scrn)
37	532 12 34-87	Clamp Hose Blk
42	539 99 02-47	Washer SLW STD 7/16
45	873 51-04-00	Nut Keps Hex 1/4-20 unc
69	532 16 52-91	Gasket Muffler
79	532 19 23-34	Screw 5/16-18 x .75
84	817 06 06-20	Screw 3/8-16 x 1-1/4
85	501 60 65-01	Bolt 7/16-20 x 4 x Gr. 5-1.5 THR Hx
90	817 00 06-16	Screw 3/8-16 x 1
96	819 09 14-16	Washer 9/32 x 7/8 x 16 Ga.
97	817 67 04-12	Screw Hexwsh Thdrol 1/4-20 x 3/4
102	817 06 05-16	Screw 5/16-18 x 1
108	587 17 95-10	Cover Pulley w/SHLD
122	532 42 19-22	Extension Drain Oil

NOTE: All component dimensions given in U.S. inches
1 inch = 25.4 mm

Engine Power Rating Information

The gross power rating for individual gas engine models is labeled in accordance with SAE (Society of Automotive Engineers) code J1940 (Small Engine Power & Torque Rating Procedure), and rating performance has been obtained and corrected in accordance with SAE J1995 (Revision 2002-05). Torque values are derived at 3060 RPM; horsepower values are derived at 3600 RPM. Actual gross engine power will be lower and is affected by, among other things, ambient operating conditions and engine-to-engine variability. Given both the wide array of products on which engines are placed and the variety of environmental issues applicable to operating the equipment, the gas engine will not develop the rated gross power when used in a given piece of power equipment (actual "on-site" or net power). This difference is due to a variety of factors including, but not limited to, accessories (air cleaner, exhaust, charging, cooling, carburetor, fuel pump, etc.), application limitations, ambient operating conditions (temperature, humidity, altitude), and engine-to-engine variability. Due to manufacturing and capacity limitations, Briggs & Stratton may substitute an engine of higher rated power for this Series engine.

TRACTOR - MODEL NO. M155-107TC (96051015101), PROD. NO. 960 51 01-51
STEERING ASSEMBLY **41**

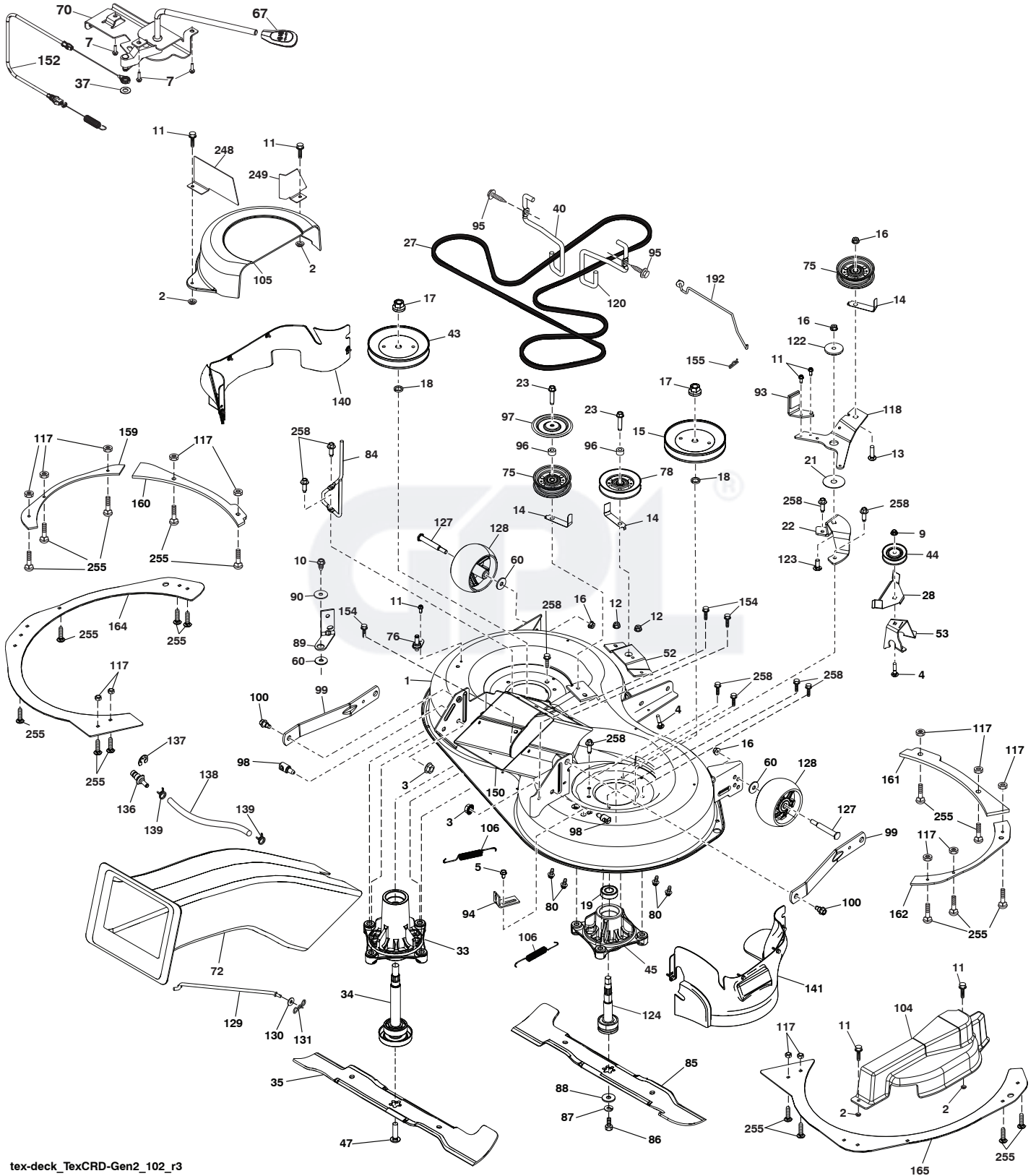


**TRACTOR - MODEL NO. M155-107TC (96051015101), PROD. NO. 960 51 01-51
STEERING ASSEMBLY **41****

KEY NO.	PART NO.	DESCRIPTION
1	532 42 45-51	Wheel, Steering
2	532 41 81-68	Axle Asm., Front
4	532 40 30-87	Spindle Asm., LH
5	532 40 30-88	Spindle Asm., RH
6	532 12 49-31	Bearing, Race Thrust Harden
7	532 12 17-48	Washer 25/32 x 1-5/8 x 16 Ga.
8	812 00 00-29	Ring, Klip #T5304-75
9	532 12 12-32	Cap, Spindle
13	532 12 17-49	Washer 25/32 x 1-1/4 x 16 Ga.
14	539 99 01-18	Washer, SLW ZD 3/8
15	873 54 06-00	Nut, Crown Lock 3/8-24 unf
16	585 86 92-02	Shaft Steering
19	532 19 47-29	Plate Steering
20	532 40 97-63	Boot, Steering
21	532 18 67-37	Adapter, Wheel Steering
22	585 02 98-02	Bearing
26	532 42 45-53	Insert, Wheel Cap
27	819 21 16-16	Washer 21/32 x 1 x 16 Ga.
28	817 00 06-12	Screw 3/8-16 x 3/4
33	539 99 01-87	Washer Lock Hvy. 5/16
35	532 19 47-32	Gear, Sector Plate
45	819 11 38-12	Washer 11/32 ID x 2-3/8 OD x 12 Ga.
53	532 18 89-67	Washer Hardened .793 x 1.637 x .060
58	532 19 47-47	Bolt Shoulder Sector Pivot CFM
59	532 19 47-48	Washer Thrust Sector Steering
60	873 97 10-00	Nut Flange Lock 5/8-11
61	532 19 47-40	Draglink, LH
62	532 19 47-41	Draglink, RH
63	817 00 05-12	Screw 5/16-18 x 3/4
64	532 19 98-49	Retainer Clip Spring Steering
66	871 02 07-48	Bolt Hex Fghd 7/16-14 x 3 Serr
67	532 19 47-37	Bushing PM Front Axle
68	873 90 07-00	Nut Lock Flange 7/16-14 Gr. 5
69	532 19 91-62	Washer 1.5 x .505 x .118
70	585 33 88-01	Bracket Deck Susp. Front
71	532 19 07-52	Shaft Exten.
72	532 42 89-82	Bolt Fin. Hex 5/16-18 x 4 W/Patch
74	532 12 49-37	Bearing
75	580 68 37-01	Pinion
76	580 68 36-01	Screw
122	532 44 49-62	Cap Gear Sector

NOTE: All component dimensions given in U.S. inches
1 inch = 25.4 mm

TRACTOR - MODEL NO. M155-107TC (96051015101), PROD. NO. 960 51 01-51
MOWER DECK **44**



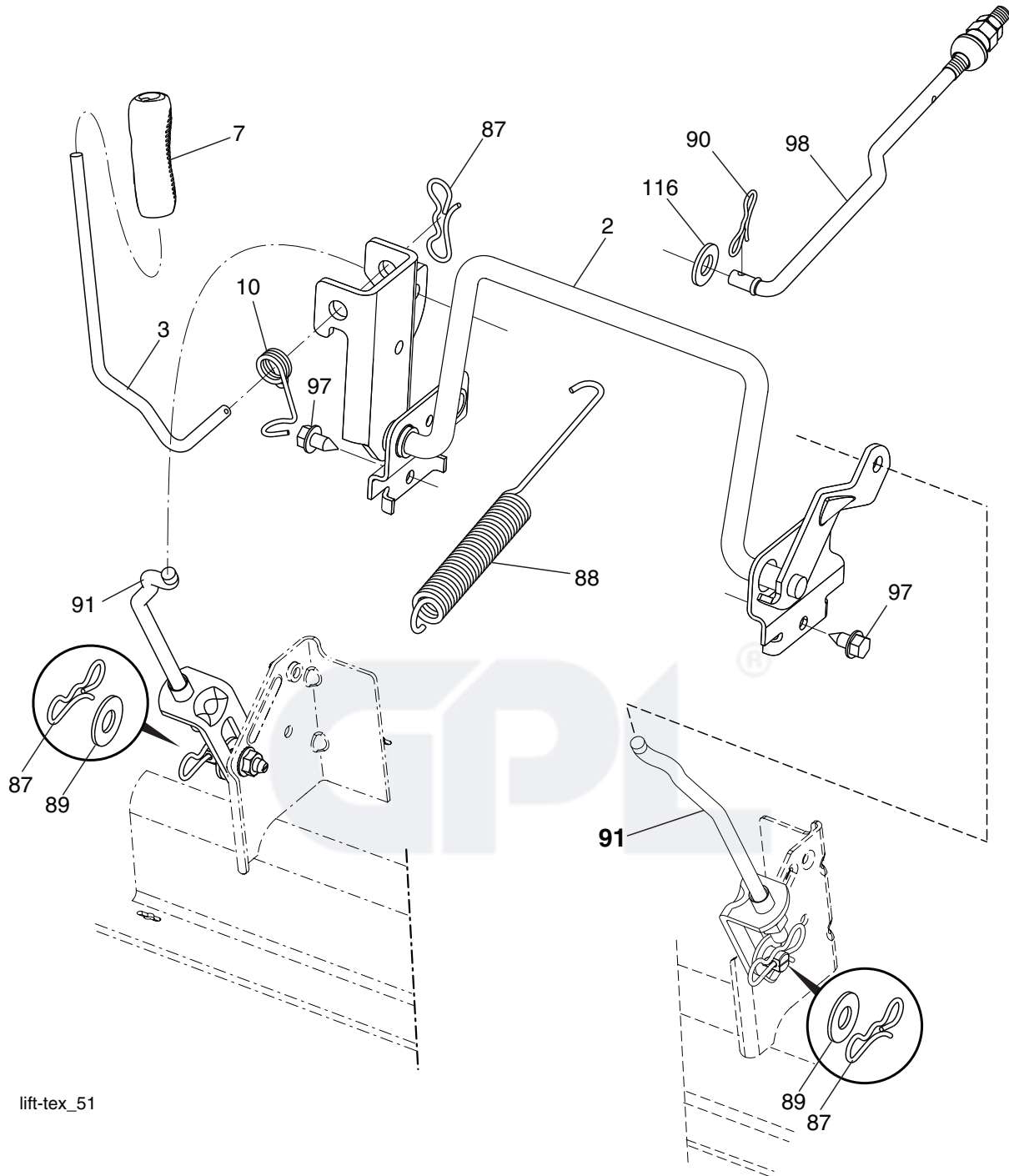
tex-deck_TexCRD-Gen2_102_r3

**TRACTOR - MODEL NO. M155-107TC (96051015101), PROD. NO. 960 51 01-51
MOWER DECK 44**

KEY NO.	PART NO.	DESCRIPTION	KEY NO.	PART NO.	DESCRIPTION
1	596 77 95-01	Deck SVC Kit	98	532 19 51-61	Stud Fastener
2	532 42 30-62	Palnut 1/4	99	532 19 51-86	Arm Suspension Mower Rear
3	873 90 05-00	Nut Lock Hex Flange 5/16-18	100	532 19 65-39	Bolt Shoulder
4	872 11 05-10	Bolt Carriage 5/16-18 x 1 1/4 Gr. 5	104	592 86 57-01	Mandrel Cover RH
5	817 00 05-10	Bolt 5/16-18	105	532 44 47-55	Mandrel Cover LH
7	532 41 63-58	Screw #10 x 0.750 BOS Thread	106	532 19 32-16	Spring Brake Return
9	585 69 13-01	Nut Hex Flange Nylock	117	873 90 04-00	Nut Hex Fig 1/4-20
10	817 00 06-16	Screw 3/8-16 x 1 smgml tap	118	592 86 58-02	Arm Clutching
11	532 13 77-29	Screw Thd Roll 1/4-20 X 5/8	120	532 19 72-59	Keeper Belt RH
12	539 11 28-99	Nut 5/16-18 Hex Flange Nyloc	122	532 16 57-23	Spacer Retainer Mower
13	872 11 06-12	Bolt Carr Sh 3/8-16 X 1-1/2 Gr. 5	123	872 11 06-10	Carriage Bolt 3/8-16 x 1.25
14	532 15 60-85	Keeper Belt Idler	124	532 16 54-82	Shaft Asm Mndrel Short
15	532 19 59-45	Pulley Mandrel	127	532 19 34-06	Bolt Shoulder 3/8-16 x 3-5/8 Gr. 5
16	873 90 06-00	Nut Lock FIG 3/8 - 16 unc	128	589 52 73-01	Wheel Gauge
17	532 40 02-34	Nut Flange Lock Top	129	532 44 32-37	Rod Anti-Sway
18	532 18 76-90	Washer	130	819 13 13-12	Washer 13/32 x 13/16 x 12 Ga.
19	585 32 39-01	Bearing Mandrel	131	532 19 42-08	Pin Cotter 5/16 Bow Tie Lock
21	532 17 85-15	Washer Flat Hardened	136	532 43 96-39	Washout Port Remote
22	592 85 47-02	CRD Idler Arm Mount Bracket	137	812 00 00-29	Ring Klip
23	817 49 06-28	Screw Thdrol 3/8-16 X 1-3/4	138	582 82 66-01	Washout Port Hose
27	532 44 27-81	V-Belt Drive	139	532 44 07-42	Hose Clamp
28	592 86 59-02	Keeper CRD Angled Idler	140	501 58 00-01	Guard French LH
33	532 18 72-81	Housing Mandrel	141	501 57 96-02	Guard French RH
34	587 25 65-01	Shaft Assembly	150	596 01 23-02	Weldment Chute Lower 107 CRD
35	532 18 05-83	Blade Mower LH	152	532 44 76-66	Cable Clutch Manual w/Spring
37	819 13 13-16	Washer 13/32 x 13/16 x 16 Ga.	154	532 19 98-55	Screw Thd Roll 1/4-20 x 1/2
40	532 19 72-58	Keeper Belt Engine LH	155	532 00 44-97	Retainer Spring 1"
43	532 44 32-39	Pulley Mandrel	159	585 30 95-05	Reinforce Plate LHS Bolt
44	532 19 95-34	Pulley V-Idler Grdnd Dr Plated	160	585 30 94-05	Reinforce Plate LHS Ft
45	532 12 87-74	Mandrel Asm. Short	161	585 31 60-05	Reinforce Plate RH Frt
47	584 30 93-01	Screw	162	585 31 61-05	Reinforce Plate RH Sd
52	594 97 26-03	Bracket V-Idler Bolt Center	164	589 35 85-02	Baffle Plate RH Sd
53	594 97 29-03	Bracket V-Idler Bolt Angled	165	587 42 61-02	Baffle Rt
60	819 12 14-14	Washer 5/16 Flat STE	192	592 86 61-02	Link Brake Assy
67	532 40 30-12	Handle Clutch Cable	248	589 00 98-02	Guard Mandrel Cover LH Rear
70	532 40 12-46	Clutch Asm Manual	249	589 00 97-02	Guard Mandrel Cover LH Front
72	581 45 41-03	Chute Upper	255	592 80 78-01	Bolt 1/4-20 x 1
75	532 17 34-38	Pulley Idler Flat	258	584 95 39-01	Bolt Hex Wsh
76	532 43 96-40	Washout Port	--	587 25 33-01	Mandrel Assembly-Tall(Includes Housing (key #33), Shaft Assembly (key #34), and Bearing (key #19) Only - Pulley/Nut/Washer And Blade Bolt/Washers Not Included)
78	532 17 39-02	Pulley Idler V-Gr Plated 4.25	--	581 65 05-01	Mandrel Assembly-Short(Includes Housing (key #45), Shaft Assembly (key #124), and Bearing (key #19) Only - Pulley/Nut/Washer And Blade Bolt/Washers Not Included)
80	539 99 03-16	Carriage Bolt 5/16-18 3/4	--	596 78 34-01	Replacement Mower Complete
84	532 44 32-35	Keeper Belt LH Mandrel			
85	532 18 05-84	Blade Mower RH			
86	532 18 17-13	Bolt 3/8-24 x 1.50 Gr. 8			
87	539 99 01-18	Washer SLW ZD 3/8			
88	532 14 02-96	Washer Hard Blade Mower Vented			
89	532 19 72-61	Arm Brake LH			
90	532 19 90-92	Spacer Retainer			
93	592 85 49-02	Brake PNT RH			
94	532 19 72-50	Bracket Clutch Cable			
95	817 00 06-12	Screw 3/8-16 x 3/4			
96	532 40 02-71	Spacer			
97	532 18 20-61	Shield Idler Mower			

NOTE: All component dimensions given in U.S. inches
1 inch = 25.4 mm

TRACTOR - MODEL NO. M155-107TC (96051015101), PROD. NO. 960 51 01-51
MOWER LIFT 45



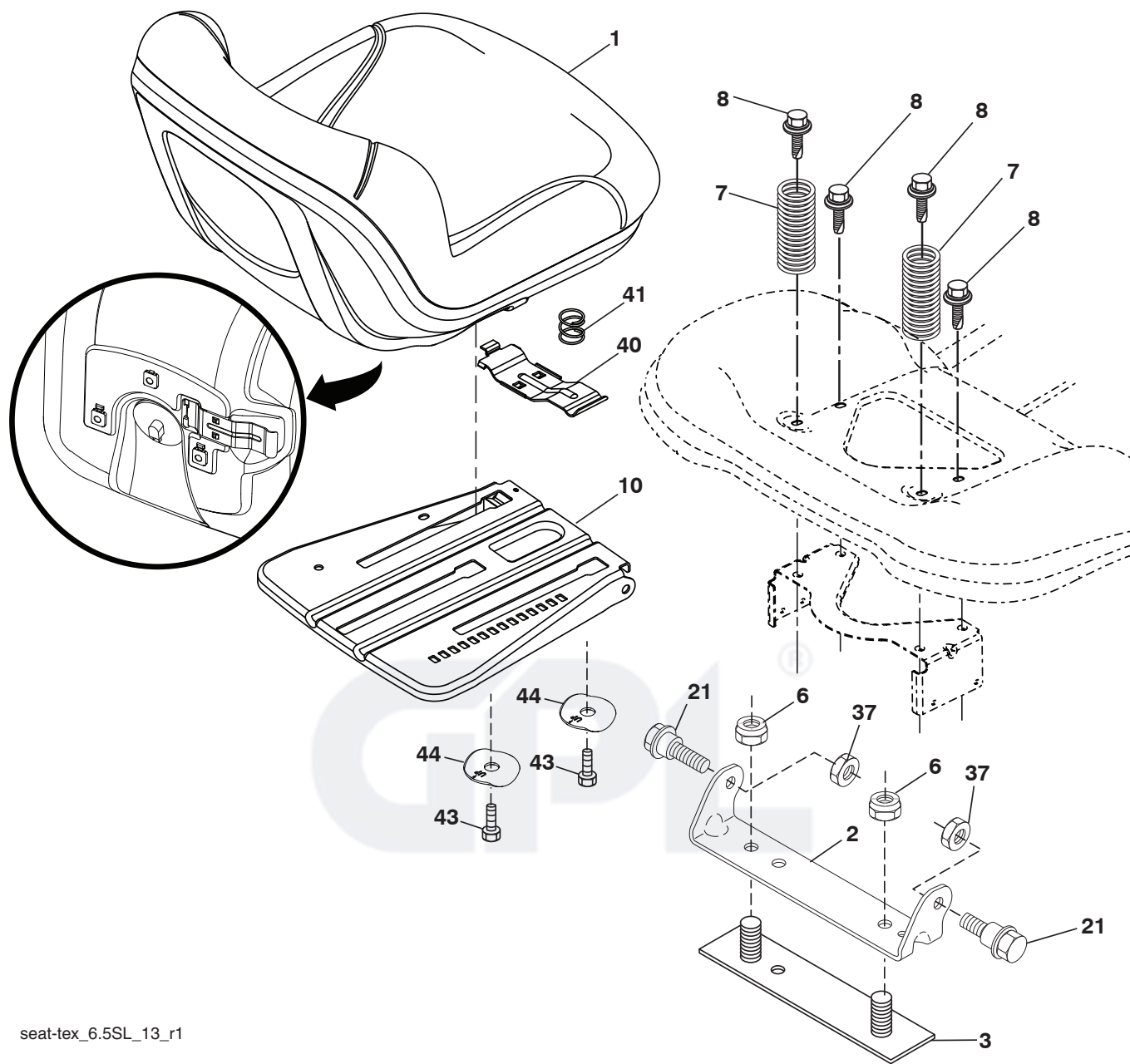
lift-tex_51

KEY NO.	PART NO.	DESCRIPTION
2	532 43 69-96	Deck Lift
3	532 19 52-31	Lever Asm., Lift RH
7	580 96 23-01	Grip, Lever
10	532 19 63-14	Spring Torsion
87	532 19 42-09	Pin Cotter 7/16 Bow Tie Lock
88	532 44 54-96	Spring Lift Assist
89	819 19 19-12	Washer 17/32 x 1-3/16 x 12 Ga.
90	532 19 42-08	Pin Cotter 5/16 Bow Tie Lock

KEY NO.	PART NO.	DESCRIPTION
91	532 19 51-81	Link Lift Susp Mower Rear
97	817 49 06-08	Screw 3/8-16 x 1/2
98	532 42 05-25	Link Lift Susp. Front Mower
116	819 15 15-16	Washer 15/32 x 15/16 x 16 Ga.

NOTE: All component dimensions given in U.S. inches
 1 inch = 25.4 mm

**TRACTOR - MODEL NO. M155-107TC (96051015101), PROD. NO. 960 51 01-51
SEAT ASSEMBLY 42**



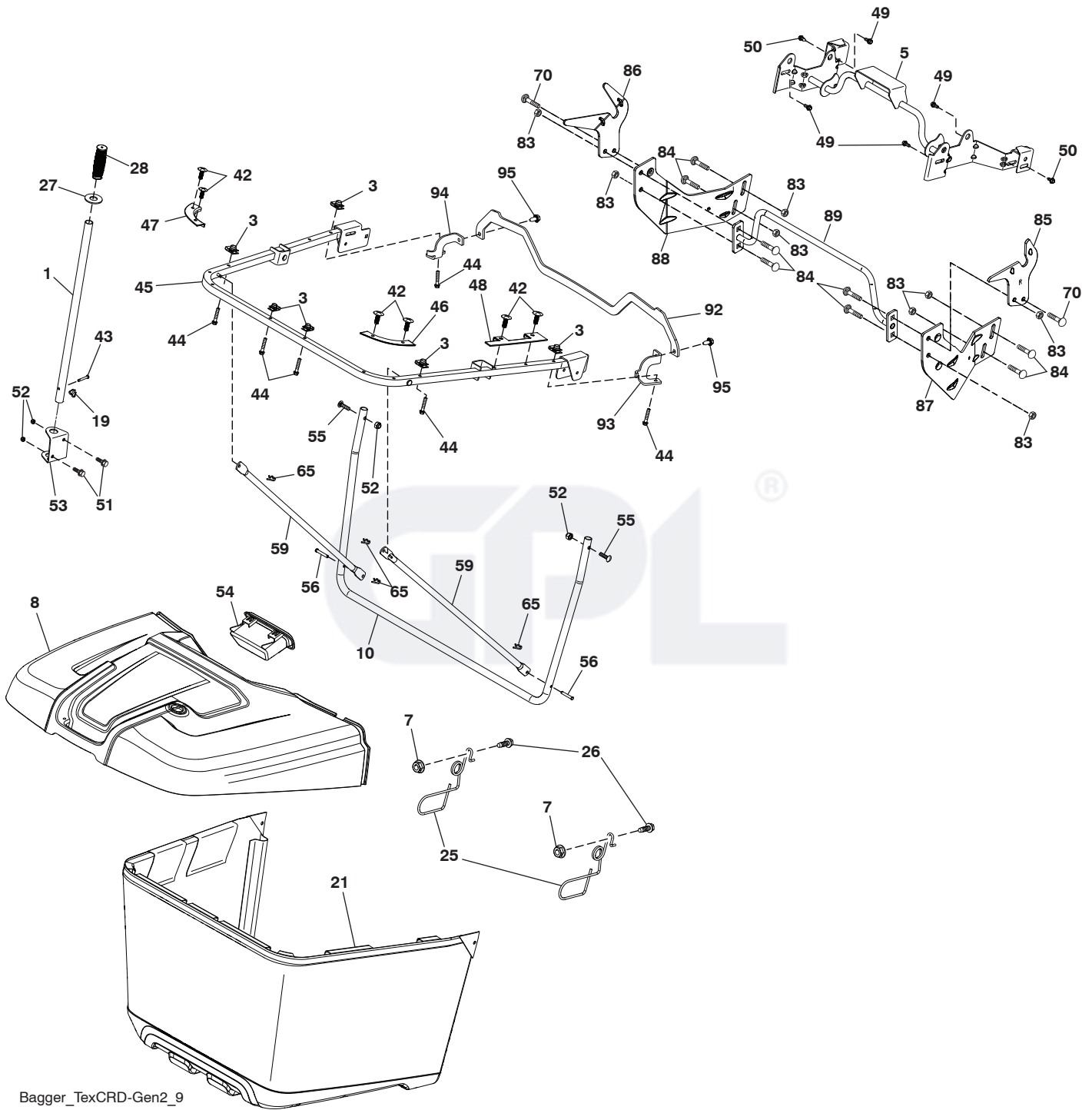
seat-tex_6.5SL_13_r1

KEY NO.	PART NO.	DESCRIPTION
1	581 46 21-01	Seat
2	532 18 01-66	Bracket Pnt Pivot Fender
3	532 14 06-75	Strap
6	873 80 06-00	Nut Lock Hex w/Ins 3/8-16
7	589 48 35-01	Spring Seat Cprsn 2 250 Blk Zi
8	532 17 18-77	Bolt 5/16-18 unc x 3/4
10	587 23 20-02	Pan Pnt Seat
21	587 90 78-01	Bolt Shoulder 5/16-18 x 5/8

KEY NO.	PART NO.	DESCRIPTION
37	873 80 05-00	Nut Hex Lock w/Ins 5/16-18
40	532 19 76-61	Handle Slide
41	532 19 82-00	Spring Latch
43	874 76 06-12	Bolt 3/8-16 unc x 3/4
44	501 05 18-01	Washer winged 3/8 ID 1.5 OD

NOTE: All component dimensions given in U.S. inches
1 inch = 25.4 mm

TRACTOR - MODEL NO. M155-107TC (96051015101), PROD. NO. 960 51 01-51
BAGGER **46**



Bagger_TexCRD-Gen2_9

**TRACTOR - MODEL NO. M155-107TC (96051015101), PROD. NO. 960 51 01-51
BAGGER 46**

KEY NO.	PART NO.	DESCRIPTION
1	532 42 86-10	Tube Handle Bagger
3	532 17 48-14	Nut Push
5	532 44 37-62	Frame Asm Top Bagger
7	873 90 04-00	Nut Hex Flange 1/4-20 unc
8	532 44 78-28	Cover Bagger
10	532 44 37-55	Frame Front
19	532 19 42-08	Cotter Pin 5/16 Bow Tie
21	581 33 71-04	Bag Asm
25	532 44 55-28	Latch Bagger
26	817 49 04-12	Screw Hexwsh Thdrol 1 14-20 x 3/4
27	532 44 55-29	Grommet Rubber
28	532 16 57-87	Grip Handle Black
42	532 44 04-28	Christmas Tree Clip
43	532 12 68-75	Clevis Pin
44	532 19 96-87	Bolt 1/4-20 1.50
45	532 44 37-54	Upper U Frame Weldment
46	532 44 55-41	Bagger Corner Close-Out RH
47	532 44 40-79	Bagger Corner Close-Out LH
48	532 44 40-80	Top Bagger Side Close-Out
49	532 17 18-73	Bolt Shoulder 5/16-18 TT
50	532 17 18-77	Bolt 5/16-18 unc x 3/4 W/SEMS
51	872 05 05-06	Bolt Carriage 5/16-18 x 3/4
52	873 80 05-00	Nut Lock HX W/INS 5/16-18 unc
53	532 44 41-95	Bracket Dump Handle
54	532 44 75-43	Bagger TOP Front Handle
55	539 10 29-33	RHSNB 5/16-18 x 1-1/2 Gr. 5 ZD
56	532 42 03-06	Pin Clevis .1830D x 1.26 long
59	532 44 47-63	Bagger Spread Tube
65	532 12 47-88	Retainer Spring
70	817 00 06-12	Bolt 3/8-16 x 3/4
83	873 80 06-00	Nut Lock Hex w/Ins 3/8-16
84	872 11 06-08	Bolt RDHD SQNK 3/8-16 x 1 Gr. 5
85	581 31 44-02	Bracket RH Pivot
86	581 31 43-02	Bracket LH Pivot
87	581 31 48-02	Bracket RH
88	581 31 47-02	Bracket LH
89	581 31 51-04	Tube Asm.
92	586 05 23-02	Bracket Bagger Top Support
93	586 05 24-02	Bracket RH Support
94	586 05 25-02	Bracket LH Support
95	817 00 05-12	Screw 5/16-18 x 3/4

NOTE: All component dimensions given in U.S. inches
1 inch = 25.4 mm

GPL[®]