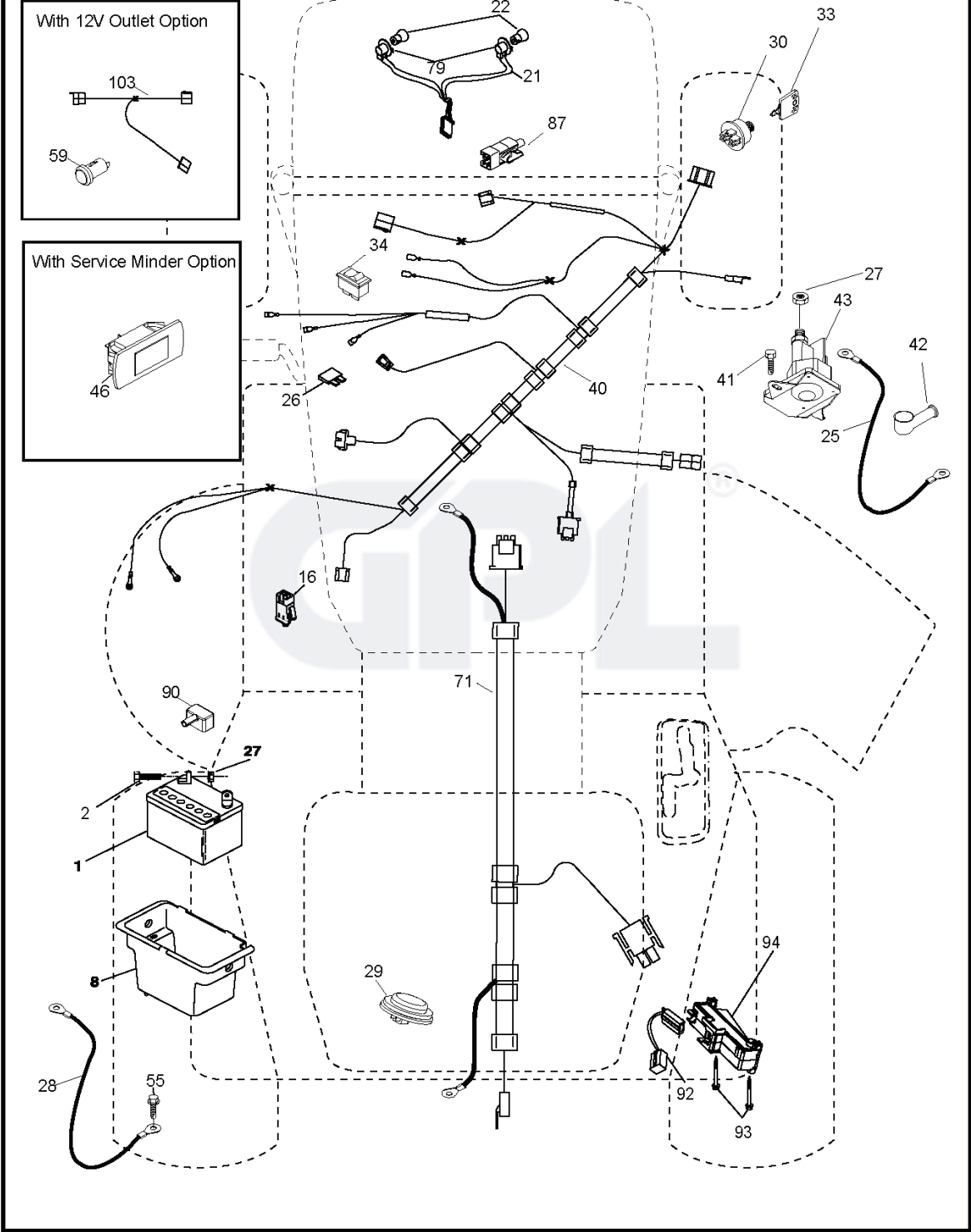
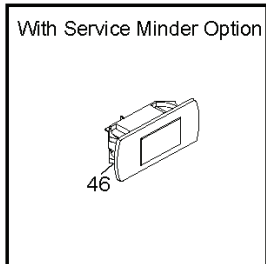
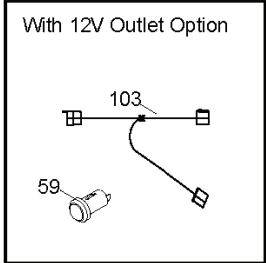


M12597, 96041023800, 2011-09

GPL[®]

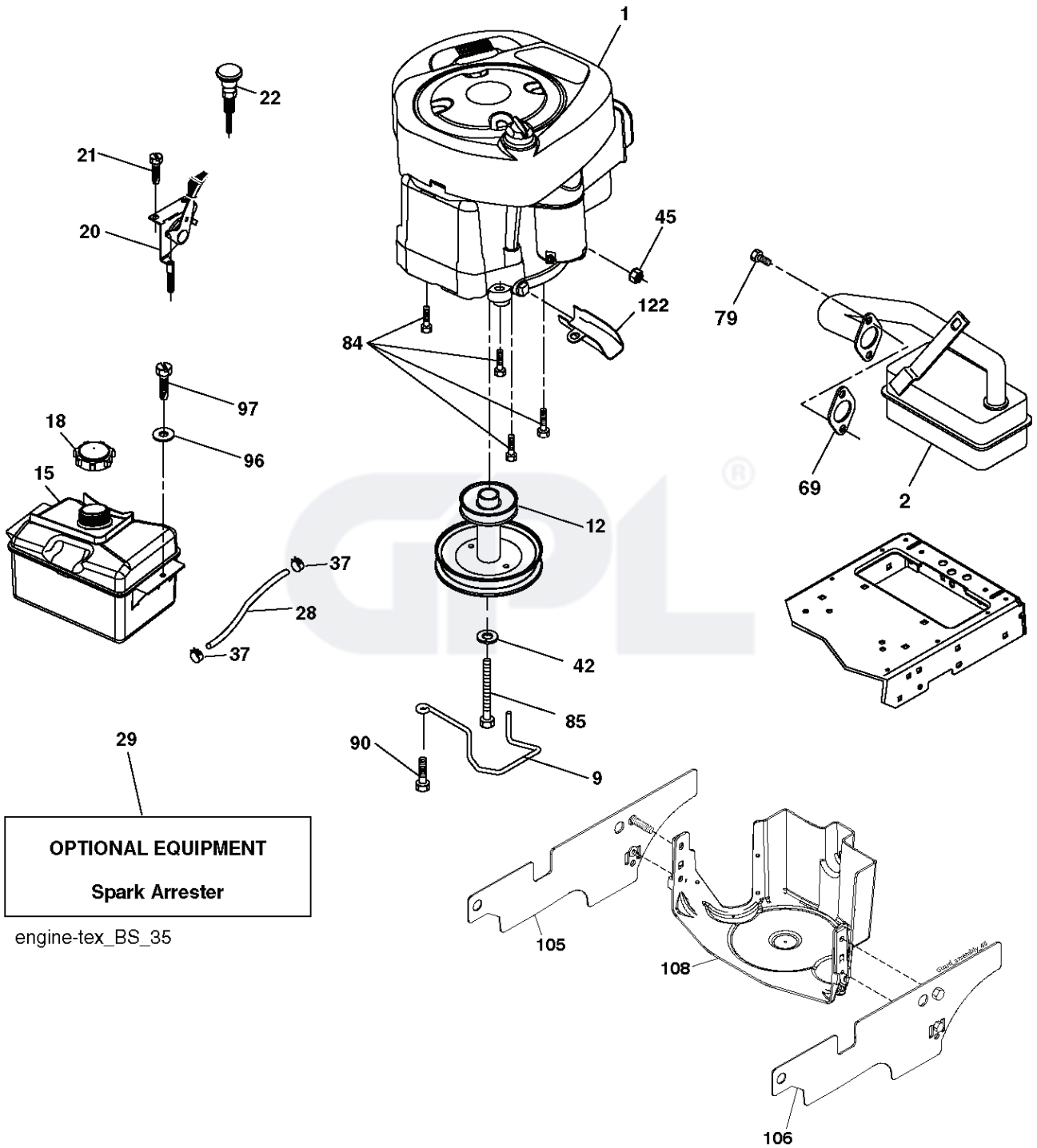
SPARE PARTS LIST

T02S



REF.	PART NO.	DESCRIPTION	REMARK	QTY.	KIT
1	532144924	BATTERY		1	
2	874760412	BOLT		1	
8	532193228	BOX		1	
16	532176138	MICRO SWITCH		1	
21	532400252	HARNESS		1	
22	532004152	BULB		1	
25	532412894	CABLE.STARTER.GGA.BL/R*SUBS/2*		1	
26	532175158	FUSE		1	
27	873510400	NUT		1	
28	532198885	CABLE		1	
29	532401545	SWITCH		1	
30	532193350	IGNITION MODULE		1	
33	532411935	KEY		1	
34	532110712	SWITCH		1	
40	532401098	CABLE		1	
41	817720408	SCREW		1	
42	532131563	COVER		1	
43	532192507	SOLENOID		1	
55	817060512	SCREW		1	
71	532441544	HARNESS		1	
79	532175242	HOLDER		1	
87	532197802	SWITCH		1	
90	532435395	TERMINAL COVER		1	
92	532196615	CABLE ASSY		1	
93	532192540	SCREW		1	
94	532191834	MODULE.REVERSE.ROS		1	



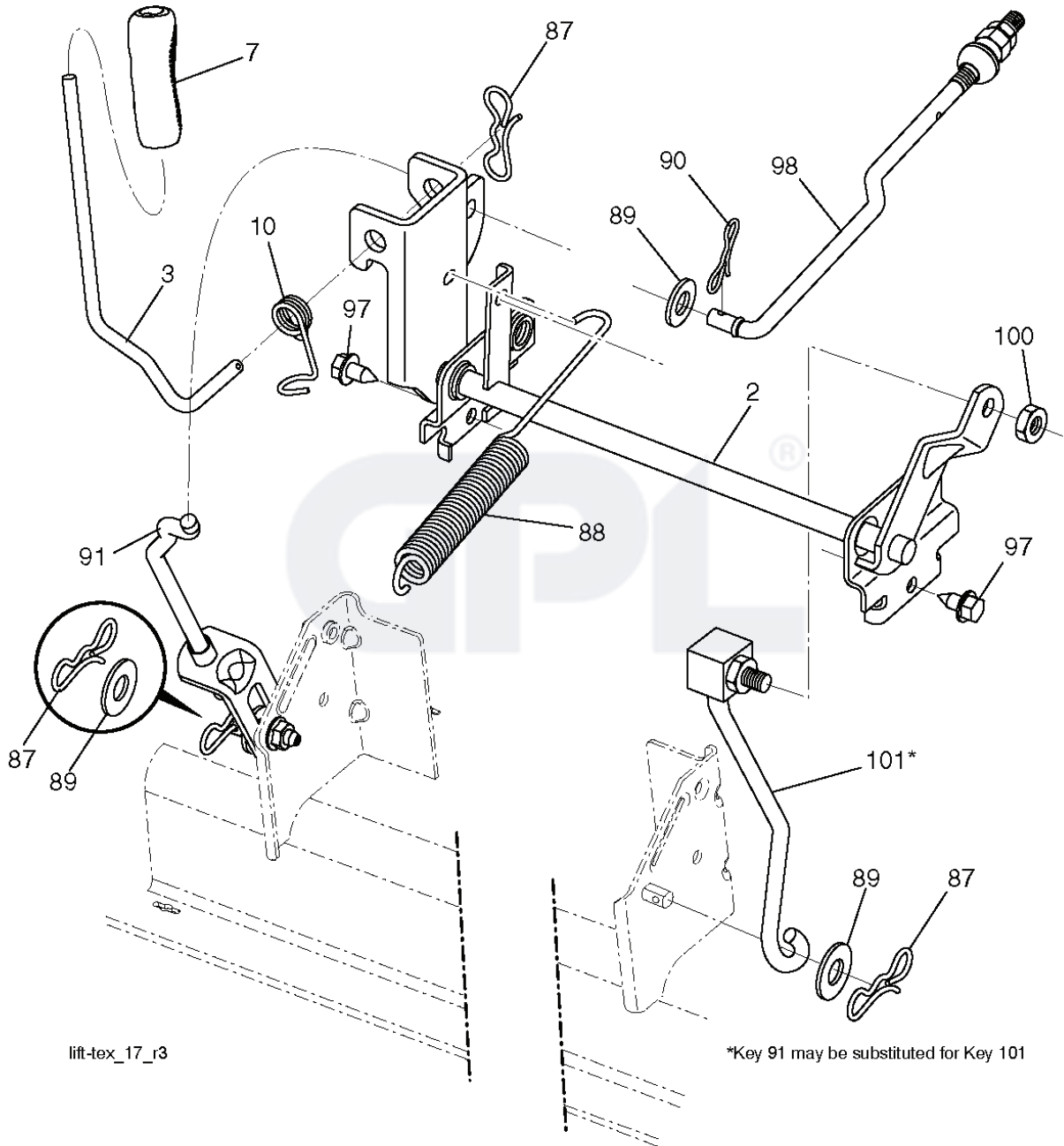


OPTIONAL EQUIPMENT
Spark Arrester

engine-tex_BS_35

REF.	PART NO.	DESCRIPTION	REMARK	QTY.	KIT
1	000000000	W/O DESCRIPTION	ENGINE B&S MODEL NO. 219807-3402- B1(438614)	1	
2	532179758	MUFFLER		1	
9	532194319	BELT GUIDE		1	
12	532401985	PULLEY		1	
15	532407545	FUEL TANK		1	
18	532430220	FUEL CAP		1	
20	532183897	CONTROL		1	
21	532416358	SCREW		1	
22	532194981	CONTROL		1	
28	532137040	HOSE		1	
29	532137180	SPARK ARRESTER KIT		1	
37	532123487	HOSE CLAMP		1	
42	810040700	WASHER		1	
45	873510400	NUT		1	
69	532165291	GASKET		1	
79	532192334	SCREW		1	
84	817060620	SCREW		1	
85	532173937	BOLT		1	
90	817000616	SCREW		1	
96	819091416	WASHER		1	
97	817670412	SCREW		1	
105	532440681	SHIELD		1	
106	532440680	SHIELD		1	
108	532421794	ENGINE COVER		1	
122	532421922	EXTENSION PIPE		1	





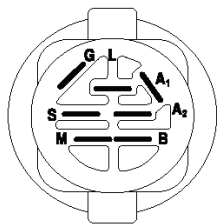
lift-tex_17_r3

*Key 91 may be substituted for Key 101

REF.	PART NO.	DESCRIPTION	REMARK	QTY.	KIT
2	532422027	SHAFT		1	
3	532195231	LEVER		1	
7	532411555	GRIP		1	
10	532196314	SPRING		1	
87	532194209	SPRING		1	
88	532410710	SPRING		1	
89	819191912	WASHER		1	
90	532194208	PIN		1	
91	532195181	LINK		1	
97	817000612	SCREW		1	
98	532195270	LINK		1	
100	873930600	NUT		1	
101	532407003	LINK		1	

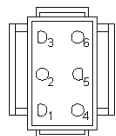
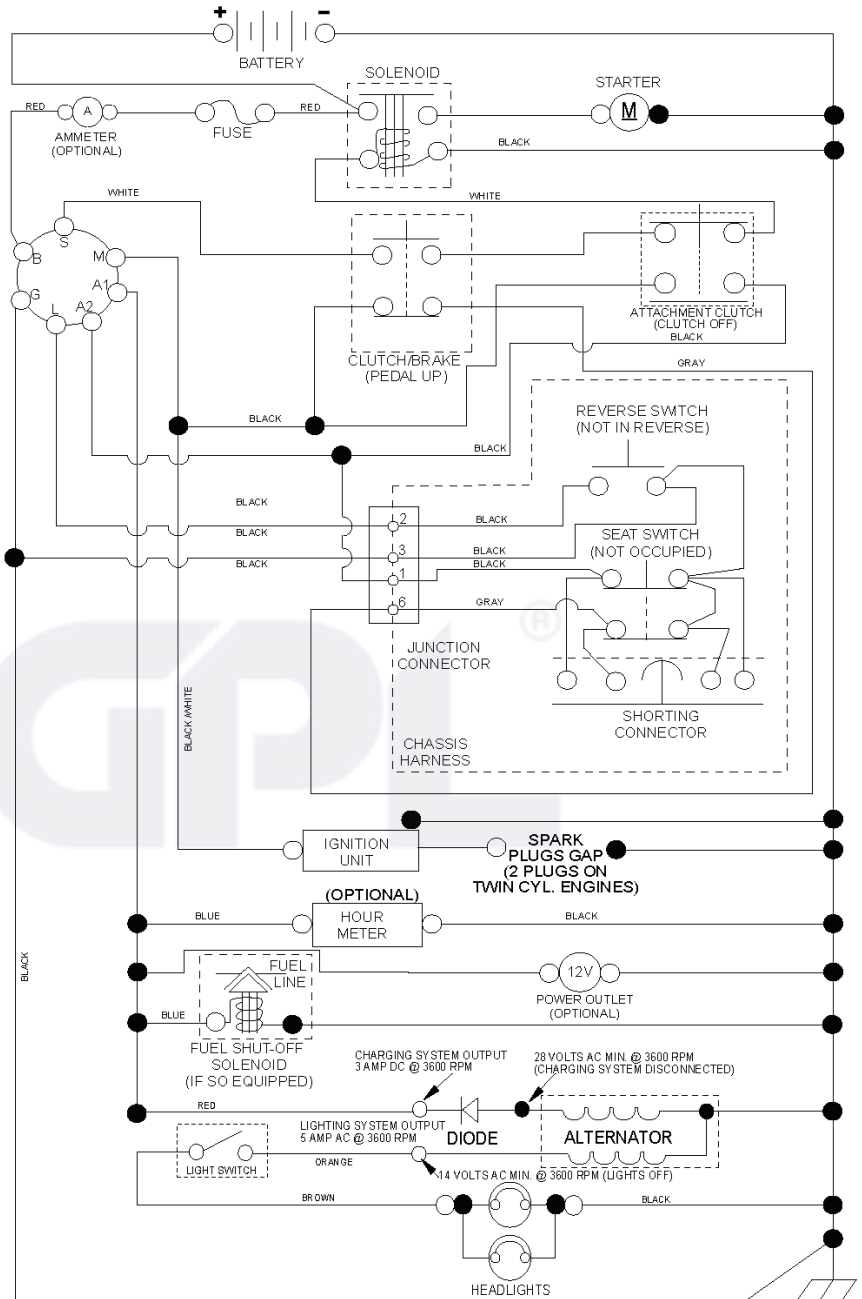
GPL®

NOTE
 YOUR TRACTOR IS EQUIPPED WITH A SPECIAL ALTERNATOR SYSTEM. THE LIGHTS ARE NOT CONNECTED TO THE BATTERY, BUT HAVE THEIR OWN ELECTRICAL SOURCE. BECAUSE OF THIS, THE BRIGHTNESS OF THE LIGHTS WILL CHANGE WITH ENGINE SPEED. AT IDLE THE LIGHTS WILL DIM, AS THE ENGINE IS SPEEDED UP, THE LIGHTS WILL BECOME THEIR BRIGHTEST.

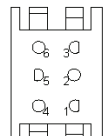


IGNITION SWITCH

POSITION	CIRCUIT	"MAKE"
OFF	M+G+A1	
RUN/OVERRIDE	B+A1	
RUN	B+A1	L+A2
START	B + S + A1	



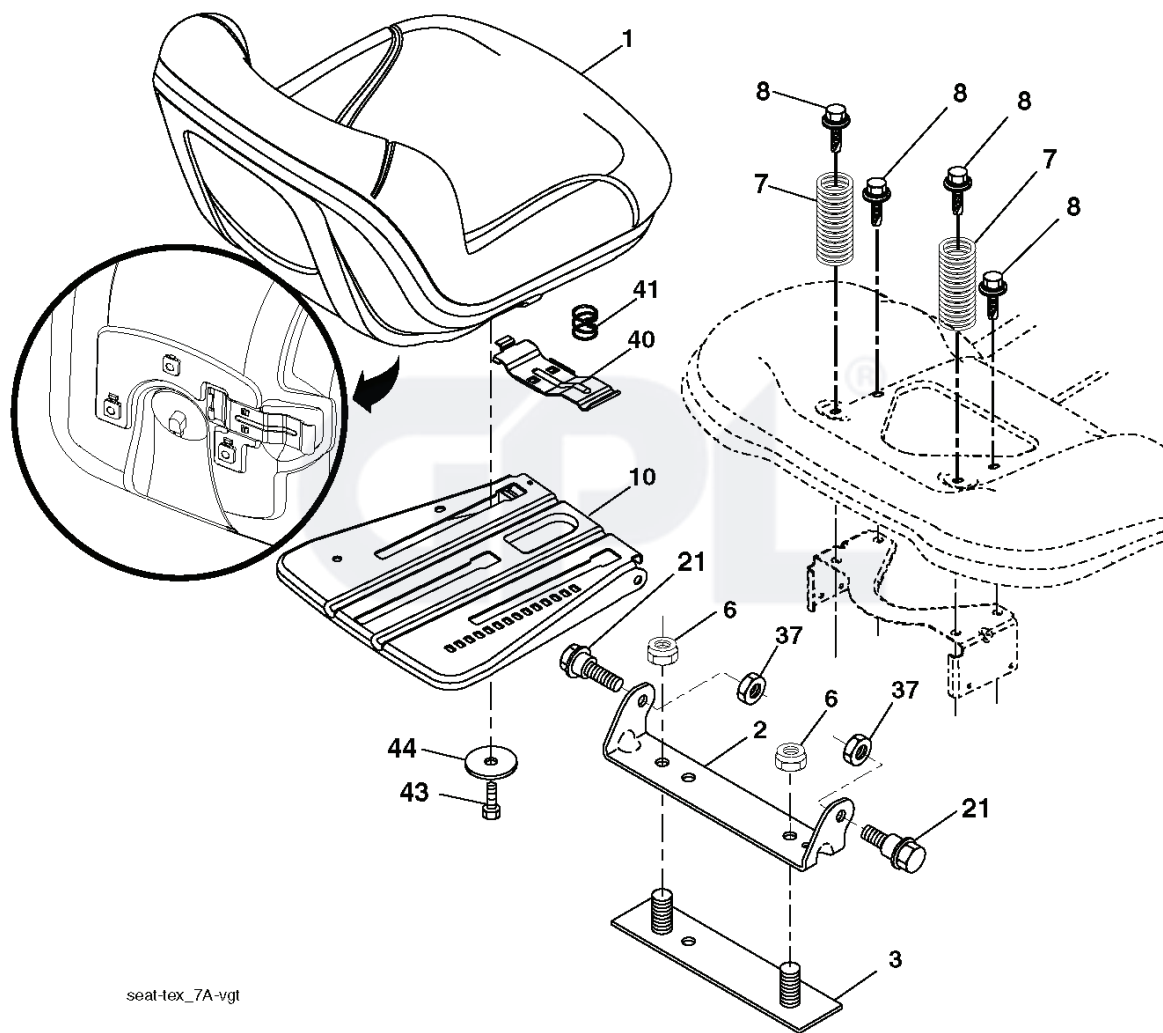
CHASSIS HARNESS CONNECTOR (MATING SIDE)



DASH HARNESS CONNECTOR (MATING SIDE)

WIRING INSULATED CLIPS
 NOTE: IF WIRING INSULATED CLIPS WERE REMOVED FOR SERVICING OF UNIT, THEY SHOULD BE RE-INSTALLED TO PROPERLY SECURE YOUR WIRING.

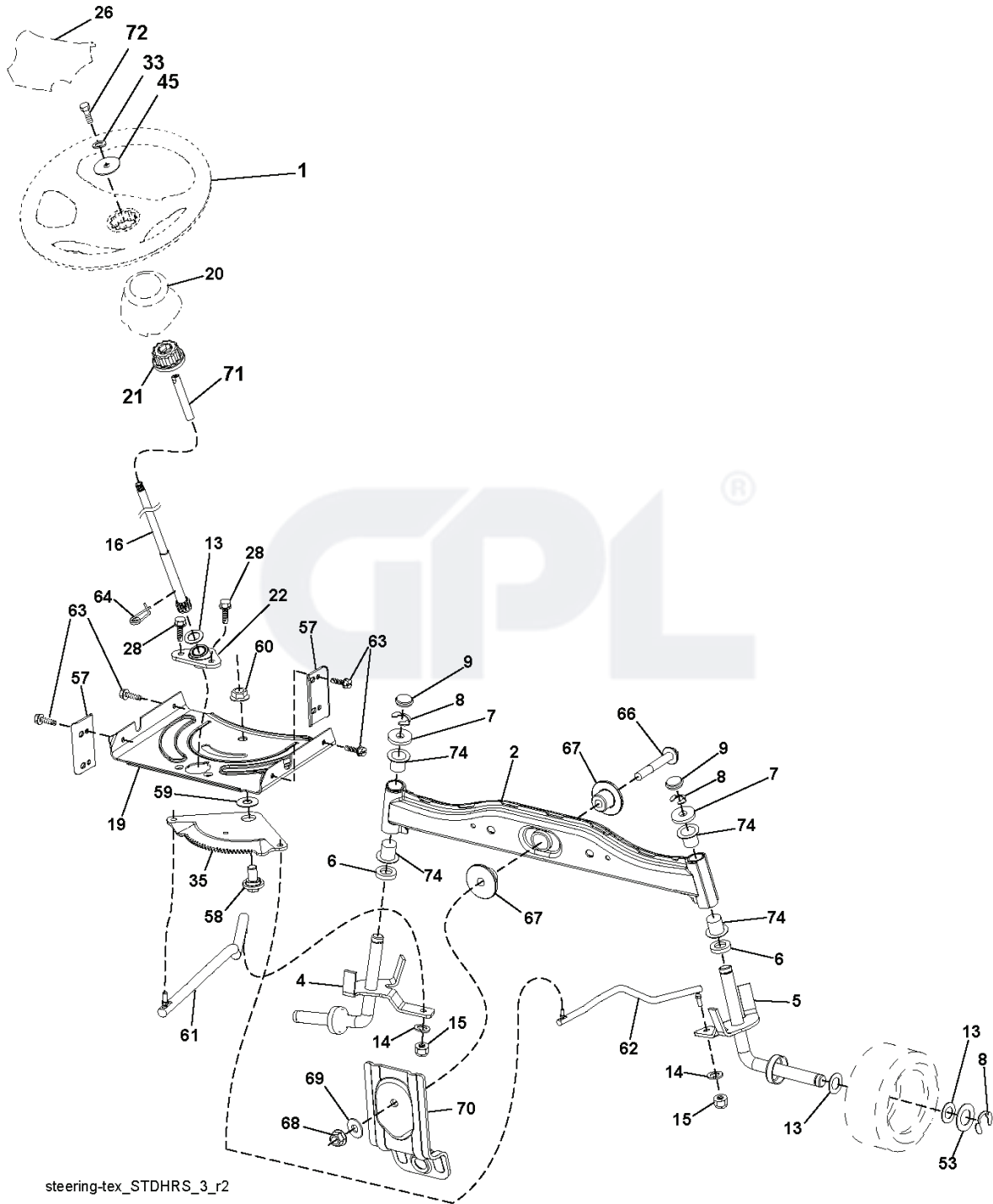
NON-REMOVABLE CONNECTIONS
 ○ **REMOVABLE CONNECTIONS**



seat-lex_7A-vgt

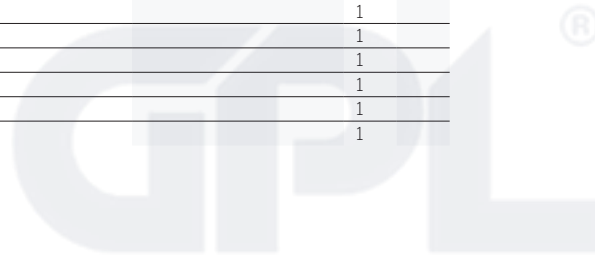
REF.	PART NO.	DESCRIPTION	REMARK	QTY.	KIT
1	532411405	SEAT		1	
2	532180166	BRACKET		1	
3	532140675	STRAP		1	
6	873800600	NUT		1	
7	532124181	SPRING		1	
8	532171877	BOLT		1	
10	532196977	PLATE		1	
21	532171852	BOLT		1	
37	873800500	LOCK NUT		1	
40	532197661	HANDLE		1	
41	532198200	SPRING		1	
43	874760612	BOLT		1	
44	819133812	WASHER		1	

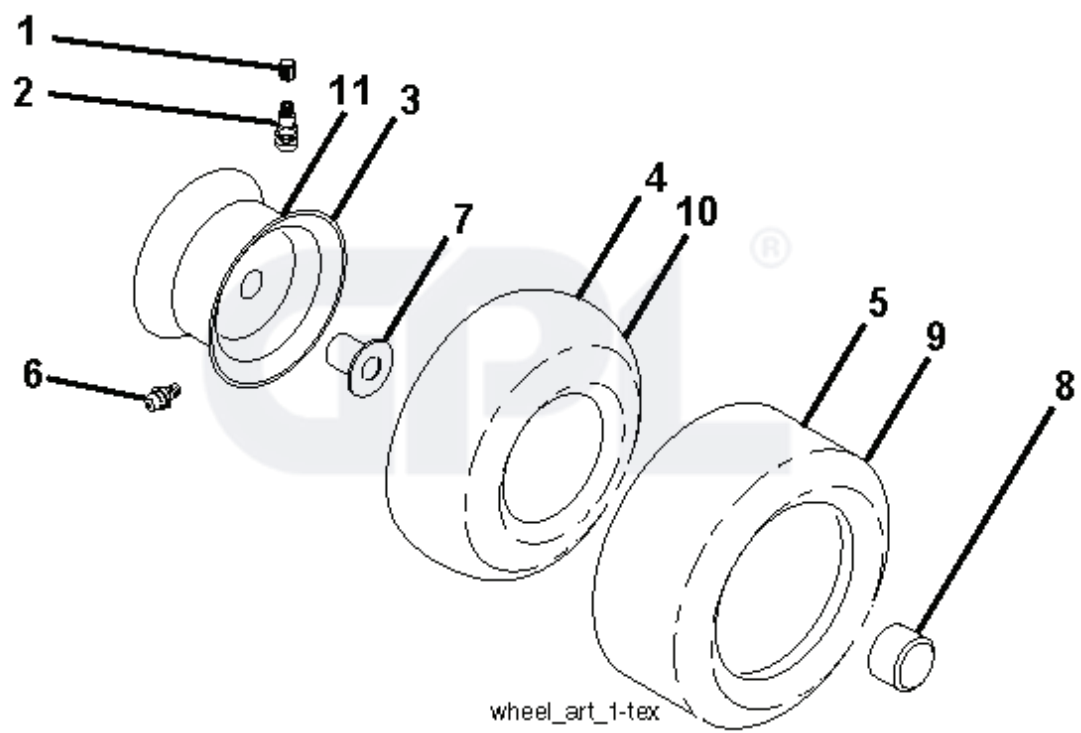
GPL®



steering-tex_STDHRS_3_r2

REF.	PART NO.	DESCRIPTION	REMARK	QTY.	KIT
1	532424543	STEERING WHEEL		1	
2	532418168	AXLE		1	
4	532403087	SPINDLE		1	
5	532403088	SPINDLE		1	
6	532124931	WASHER		1	
7	532121748	WASHER		1	
8	812000029	RETAINER RING		1	
9	532121232	HUB CAP		1	
13	532121749	WASHER		1	
14	810040600	WASHER		1	
15	873540600	NUT		1	
16	532429373	SHAFT		1	
19	532194729	PLATE		1	
20	532409763	STEERING COLUMN		1	
21	532186737	ADAPTER		1	
22	532420537	SUPPORT		1	
26	532424147	HUB CAP		1	
28	817000612	SCREW		1	
33	810040500	WASHER		1	
35	532194732	PLATE		1	
45	819113812	WASHER		1	
53	532188967	WASHER		1	
57	532407465	BRACKET		1	
58	532194747	BOLT		1	
59	532194748	WASHER		1	
60	873971000	NUT		1	
61	532194740	LINK		1	
62	532194741	LINK		1	
63	817000512	SCREW		1	
64	532199849	SPRING RETAINER		1	
66	871020748	BOLT		1	
67	532194737	BUSHING		1	
68	873900700	NUT		1	
69	532199162	WASHER		1	
70	532196197	BRACKET		1	
71	532190752	SHAFT		1	
72	532428982	BOLT		1	
74	532124937	BEARING COL. STRG.		1	

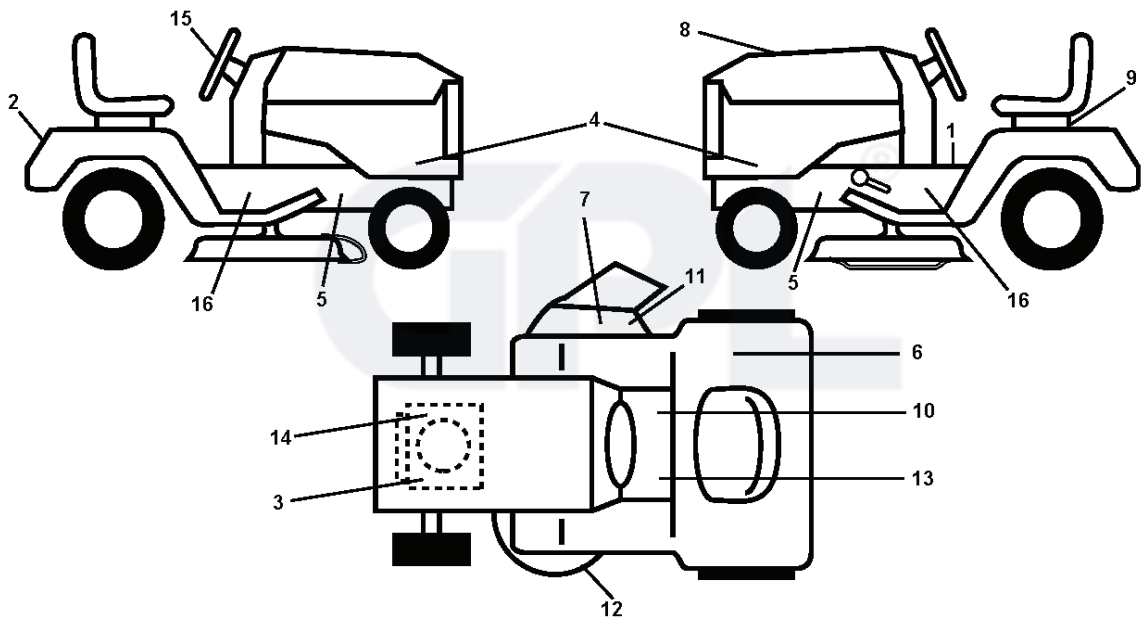




REF.	PART NO.	DESCRIPTION	REMARK	QTY.	KIT
1	532059192	CAP VALVE		1	
2	532065139	NIPPLE		1	
3	532125121	RIM	FRONT	1	
4	532059904	HOSE	(Service Item Only)	1	
5	532106222	TIRE	Front 15" x 6.0"-6"	1	
6	532124957	FITTING	(Front Wheel Only)	1	
7	532124959	BEARING	(Front Wheel Only)	1	
8	532175039	HUB CAP		1	
9	532124635	TIRE	Rear 18" x 9.5"-8"	1	
10	532124926	HOSE	(Service Item Only)	1	
11	532125122	RIM	REAR	1	
--	532144334	SEALING FOAM		1	

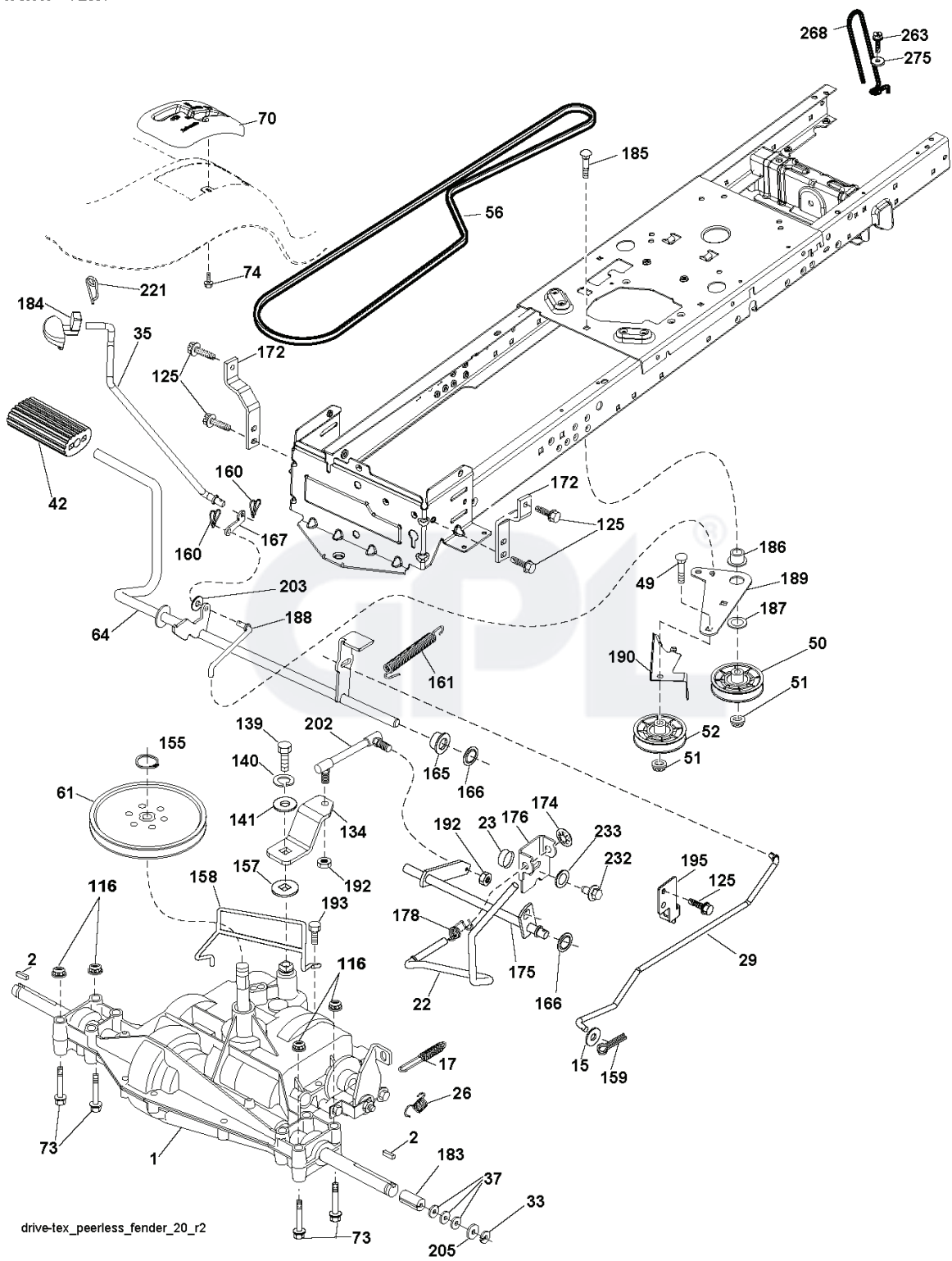


REF.	PART NO.	DESCRIPTION	REMARK	QTY.	KIT
5	532409597	PANEL		1	
14	532409598	HOOD		1	
18	532426511	GRILLE		1	
34	532196125	PLATE		1	
36	817060512	SCREW		1	
37	532420986	FENDER		1	
52	873680500	NUT		1	
58	532412280	PLATE		1	
68	817490508	SCREW		1	
125	581684801	CLIP		1	
130	532416358	SCREW		1	
138	532409730	CONSOLE		1	
146	581857901	BOLT		1	
150	532408956	AIR CONDUCTOR		1	
151	532187568	BRACKET		1	
152	532199535	SHIELD		1	
153	532444264	LENS		1	
159	817000612	SCREW		1	
162	532142432	SCREW		1	
175	532199472	PLATE		1	
176	532400776	SCREW		1	
177	532195228	BUSHING		1	
180	532415063	FRAME		1	
181	532404796	BUSHING		1	
182	532407176	DASH		1	
183	874520520	BOLT		1	
189	817000512	SCREW		1	
191	532416502	INSERT		1	
194	873900500	NUT		1	
196	532414581	CONSOLE		1	
213	874760512	BOLT		1	
217	532409167	ROD		1	
218	532196395	PLATE		1	
225	532445875	BUMPER		1	
228	532195161	STUD		1	
235	532406129	SPACER		1	
236	873930500	NUT		1	
237	532403704	PLUG		1	
287	817600406	SCREW		1	
297	532401827	LENS		1	
303	532420959	SHIELD		1	
304	532421509	SHIELD		1	
305	872110606	BOLT		1	
306	873900600	NUT		1	
312	532425926	SHIELD		1	



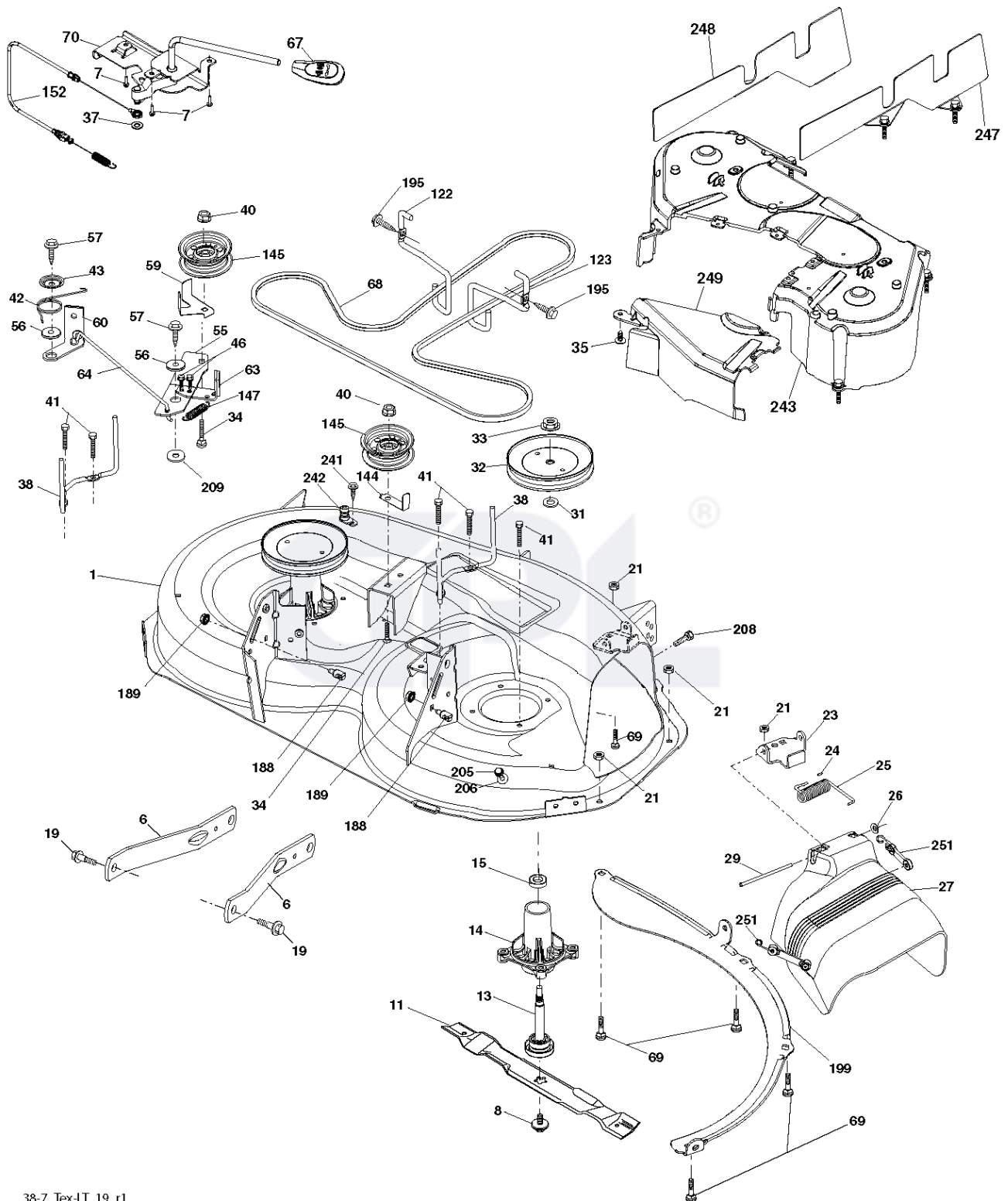
REF.	PART NO.	DESCRIPTION	REMARK	QTY.	KIT
1	532400389	LABEL		1	
2	532444452	DECAL		1	
3	532196841	DECAL		1	
4	532446277	DECAL		1	
5	532159736	DECAL		1	
6	532180432	DECAL		1	
7	532182166	DECAL		1	
8	532437825	DECAL		1	
9	532145005	DECAL		1	
10	532140837	DECAL		1	
11	532196357	DECALC."DANGER DEFLECTEUR"		1	
12	532194302	DECALC.SCHEMA MONTAGE		1	
13	532159737	DECAL		1	
14	532437410	DECAL		1	
15	532437966	DECAL		1	
16	532401146	DECAL		1	
--	532162598	DECAL	NOT SHOWN	1	
--	532409505	PAD	NOT SHOWN	1	
--	532411273	PAD	NOT SHOWN	1	





drive-tex_peerless_fender_20_r2

REF.	PART NO.	DESCRIPTION	REMARK	QTY.	KIT
1	000000000	W/O DESCRIPTION	Transaxle, Peerless 206-565 (197941)	1	
2	532123583	KEY		1	
15	819131316	WASHER		1	
17	532197297	SPRING		1	
22	532197660	ROD		1	
23	532106933	KNOB		1	
26	532197455	SPRING		1	
29	532197267	ROD		1	
33	812000001	RETAINER RING		1	
35	532401031	ROD		1	
37	532121749	WASHER		1	
42	532124872	PEDAL RUBBER		1	
49	872110614	BOLT		1	
50	532194327	PULLEY		1	
51	873900600	NUT		1	
52	532194326	PULLEY		1	
56	532194346	BELT		1	
61	532123666	PULLEY		1	
64	532196200	SHAFT		1	
70	532411290	CONSOLE		1	
73	874490540	BOLT		1	
74	532142432	SCREW		1	
116	873900500	NUT		1	
125	817000512	SCREW		1	
134	532197857	ROD		1	
139	874550412	BOLT		1	
140	810040400	WASHER		1	
141	819091210	WASHER		1	
155	812000028	CLIP		1	
157	532105701	WASHER		1	
158	532194352	BELT GUIDE		1	
159	876020412	SPLIT PIN		1	
160	532169484	PIN		1	
161	532105709	SPRING		1	
165	532196212	BUSHING		1	
166	532429164	NUT		1	
167	532405257	LATCH		1	
172	532197657	STRAP		1	
174	532197289	NUT		1	
175	532197858	SHAFT		1	
176	532196214	ARM		1	
178	532197456	SPRING		1	
183	532137057	SPACER		1	
184	532441407	BRAKE		1	
185	872110622	BOLT		1	
186	532194321	SPACER		1	
187	819133210	WASHER		1	
188	532194323	LINK		1	
189	532194317	PLATE		1	
190	532194318	BELT GUIDE		1	
192	532150360	NUT		1	
193	817060512	SCREW		1	
195	532197332	BRACKET		1	
202	532197859	LINK		1	
203	819111116	WASHER		1	
205	532121748	WASHER		1	
221	532403187	SPRING		1	
232	874780716	BOLT		1	
233	532405296	WASHER		1	
263	817000612	SCREW		1	
268	532182402	PROTECTOR		1	
275	819131614	WASHER		1	



REF.	PART NO.	DESCRIPTION	REMARK	QTY.	KIT
1	532194251	HOUSING		1	
6	532195186	ARM		1	
7	532416358	SCREW		1	
8	532193003	SCREW		1	
11	532193957	RIDE ON BLADE		1	
13	532192872	SHAFT ASSY		1	
14	532187281	BEARING HOUSING		1	
15	532110485	BEARING		1	
19	532196539	BOLT		1	
21	873680500	NUT		1	
23	532192557	HINGE		1	
24	532105304	HUB CAP		1	
25	532197026	TORSION SPRING		1	
26	532110452	NUT		1	
27	532401618	DEFLECTOR		1	
29	532131491	SHAFT		1	
31	532187690	WASHER		1	
32	532199789	PULLEY		1	
33	532400234	NUT		1	
34	872110612	BOLT		1	
35	532133835	XMAS TREE FASTNER		1	
37	819131316	WASHER		1	
38	532199541	BELT GUIDE		1	
40	873900600	NUT		1	
41	584953901	BOLT		1	
42	532198410	SPRING		1	
43	532197256	SPRING		1	
46	532137729	SCREW		1	
55	532197249	ARM		1	
56	532199092	SPACER		1	
57	817000616	SCREW		1	
59	532141043	GUARD		1	
60	532199471	ARM		1	
63	532199470	ARM		1	
64	532199790	LINK		1	
67	532403012	HANDLE		1	
68	532408381	BELT		1	
69	872140505	BOLT		1	
70	532401246	CLUTCH		1	
122	532197258	BELT GUIDE		1	
123	532197259	BELT GUIDE		1	
144	532193414	BELT GUIDE		1	
145	532193197	PULLEY		1	
147	532401872	SPRING		1	
152	532435111	CABLE		1	
188	532195161	STUD		1	
189	873900500	NUT		1	
195	817000612	SCREW		1	
199	532400095	BAFFLE		1	
205	817490416	SCREW		1	
206	819091416	WASHER		1	
208	817670608	SCREW		1	
209	819133210	WASHER		1	
241	532152927	SCREW		1	
242	532415598	HOSE COUPLING		1	
243	532432363	COVER		1	
247	532432361	SHIELD		1	
248	532432360	SHIELD		1	
249	532406514	COVER		1	
251	532436087	ELASTIC STRAP		1	
--	532192870	SPINDLE	NOT SHOWN	1	
--	532431691	CUTTING DECK	NOT SHOWN	1	
	PART NO.		REMARK		KIT