

# **ILLUSTRATED PARTS LIST**

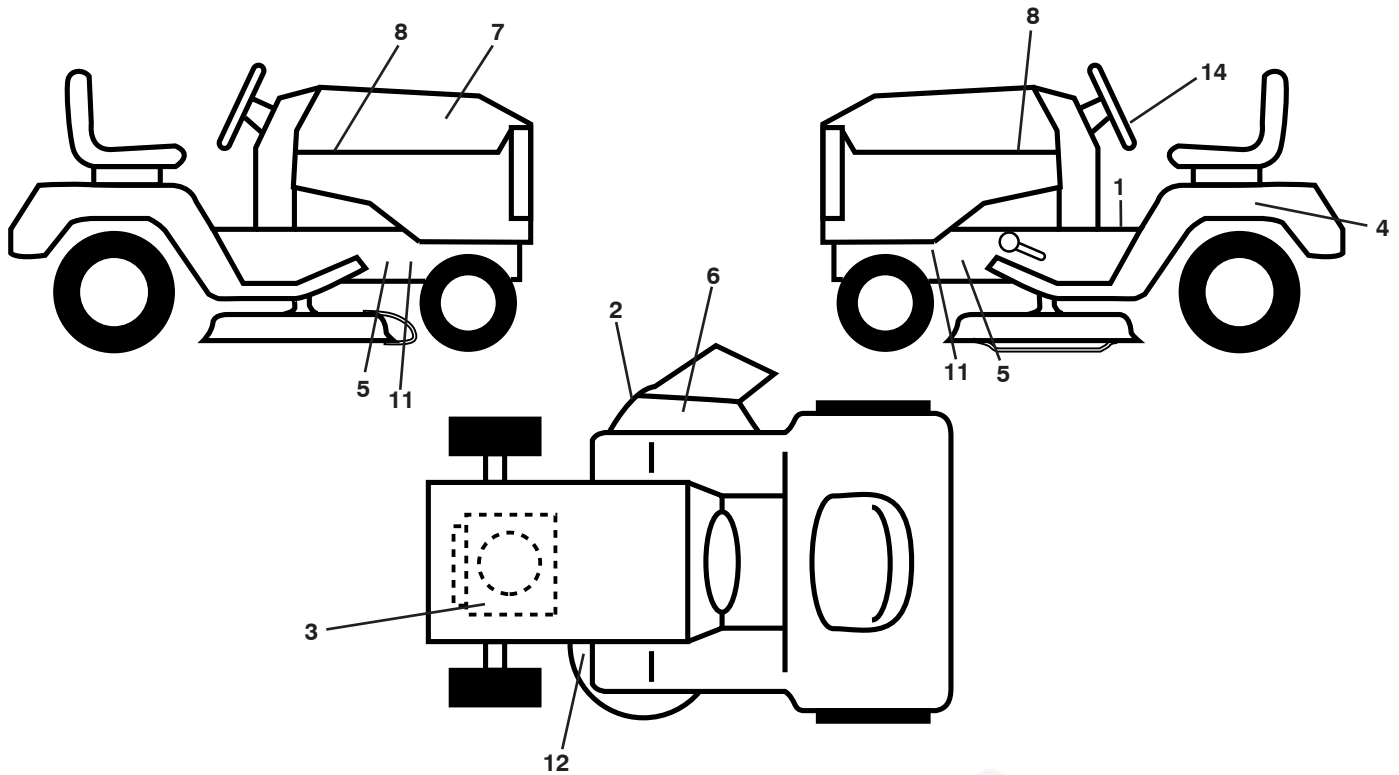
**MODEL NO. 96051016500**

**CUSTOMER CATALOG NO. M110-77TC CLASSIC**

**PROD. NO. 960 51 01-65**



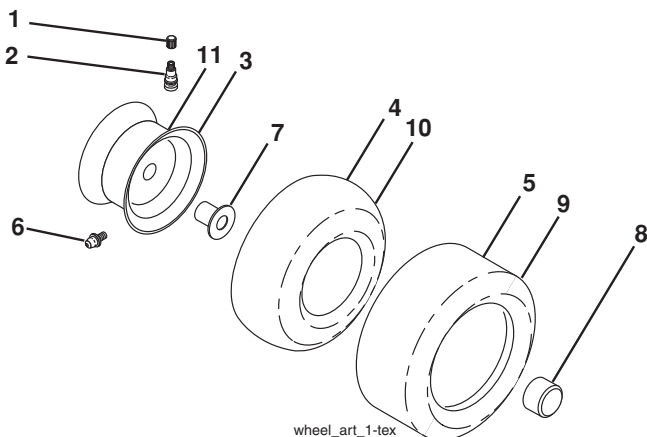
**TRACTOR - MODEL NO. M110-77TC CLASSIC (96051016500), PROD. NO. 960 51 01-65  
DECALS 27**



KEY NO.	PART NO.	DESCRIPTION
1	581 57 83-01	Decal, Operators
2	581 57 94-01	Decal, Warning Deflector
3	581 57 97-01	Decal, Warning Eng. Symbols
4	591 20 53-01	Decal, SDFNDR
5	581 57 96-01	Decal, Chassis Hot Muffler
6	584 90 46-01	Decal, Deck/Deflect Warning
7	591 17 14-01	Decal, RPL
8	581 09 12-01	Decal, Hood RH/LH
11	581 57 98-01	Decal, Warning Service/Fire

KEY NO.	PART NO.	DESCRIPTION
12	581 58 00-04	Decal, Mower V-Belt Schematic
14	501 49 43-01	Decal, Steering Wheel
--	532 42 59-76	Pad, Footrest, LH
--	532 42 59-28	Pad, Footrest, RH
--	115 80 00-20	Manual Oper. Euro
--	115 91 12-10	Manual Oper. Scan
--	115 91 11-50	Manual Oper. Ebloc
--	115 91 13-40	Manual Oper. Baltic

**WHEELS AND TIRES**



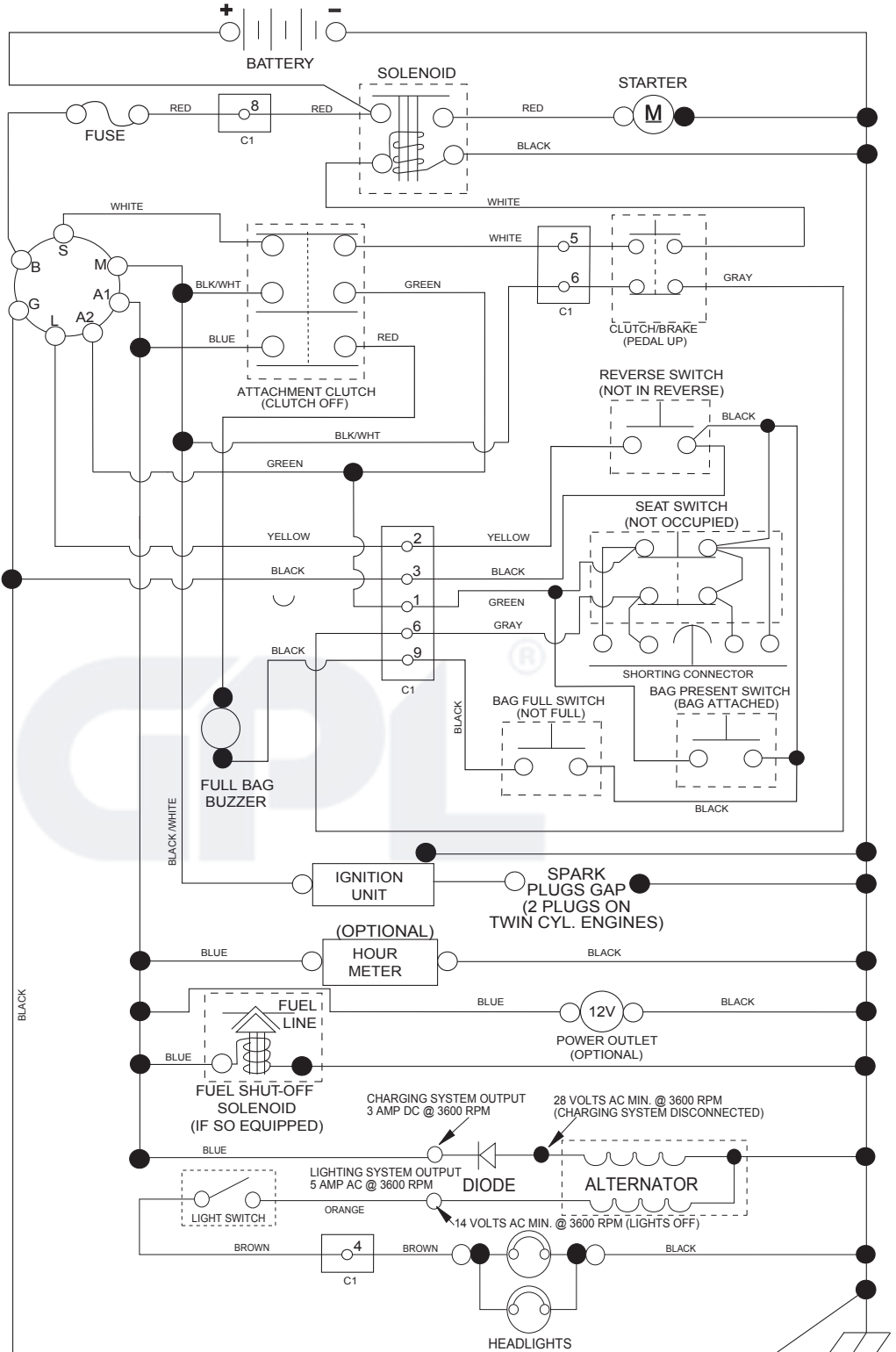
KEY NO.	PART NO.	DESCRIPTION
1	532 05 91-92	Cap Valve Tire
2	532 06 51-39	Stem Valve
3	532 42 53-61	Rim Asm 6 x 3.25 Front
4	532 42 16-52	Tube Front 13 x 5 - 6 (Service Item Only)
5	532 12 34-10	Tire Front 13 x 5-6
6	532 12 49-57	Fitting Grease (Front Wheel Only)
7	532 12 49-59	Bearing Flange (Front Wheel Only)
8	532 19 32-68	Cap Axle Yellow 1 50 x 1 00
9	532 10 62-30	Tire Rear 16 x 6.5-8
10	532 00 71-54	Tube Rear (Service Item Only)
11	532 42 53-62	Rim Asm 8 x 5.375 Rear
--	532 14 43-34	Sealant, Tire (10 oz. Tube)

**NOTE:** All component dimensions given in U.S. inches  
1 inch = 25.4 mm

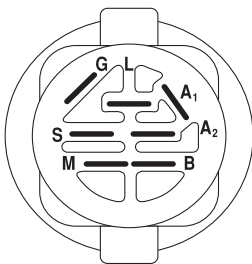
# TRACTOR - MODEL NO. M110-77TC CLASSIC (96051016500), PROD. NO. 960 51 01-65

## SCHEMATIC **38**

SCH17



**NOTE**  
YOUR TRACTOR IS EQUIPPED WITH A SPECIAL ALTERNATOR SYSTEM. THE LIGHTS ARE NOT CONNECTED TO THE BATTERY, BUT HAVE THEIR OWN ELECTRICAL SOURCE. BECAUSE OF THIS, THE BRIGHTNESS OF THE LIGHTS WILL CHANGE WITH ENGINE SPEED. AT IDLE THE LIGHTS WILL DIM. AS THE ENGINE SPEED IS INCREASED, THE LIGHTS WILL BECOME THEIR BRIGHTEST.

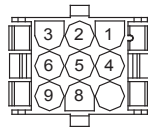


IGNITION SWITCH

POSITION	CIRCUIT	"MAKE"
OFF	M+G+A1	
RUN/OVERRIDE	B+A1	
RUN	B+A1	L+A2
START	B + S + A1	



CHASSIS HARNESS CONNECTOR (C1) (MATING SIDE)

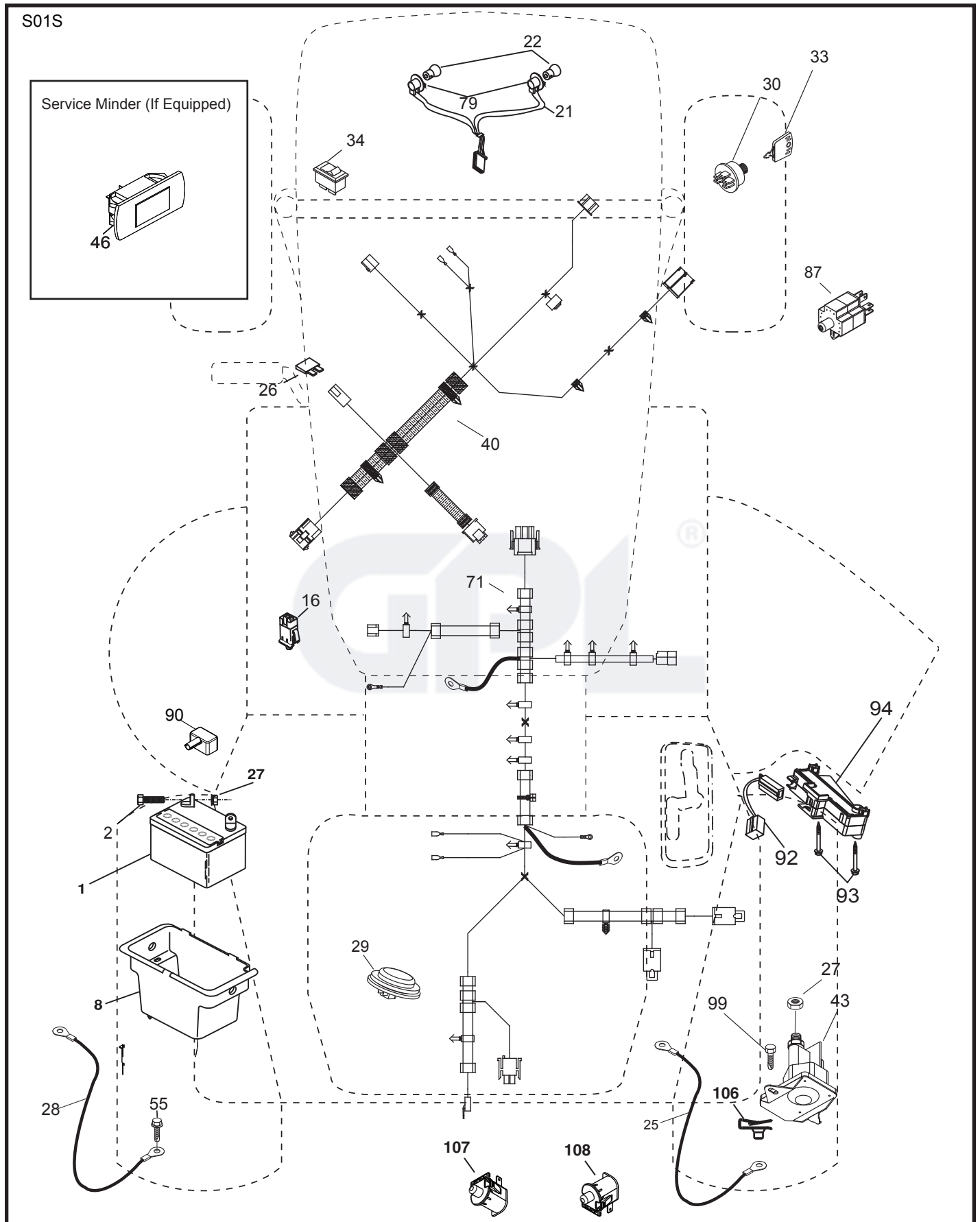


DASH HARNESS CONNECTOR (C1) (MATING SIDE)

WIRING INSULATED CLIPS  
NOTE: IF WIRING INSULATED CLIPS WERE REMOVED FOR SERVICING OF UNIT, THEY SHOULD BE RE-INSTALLED TO PROPERLY SECURE YOUR WIRING.

● NON-REMOVABLE CONNECTIONS  
○ REMOVABLE CONNECTIONS

TRACTOR - MODEL NO. M110-77TC CLASSIC (96051016500), PROD. NO. 960 51 01-65  
ELECTRICAL **32**

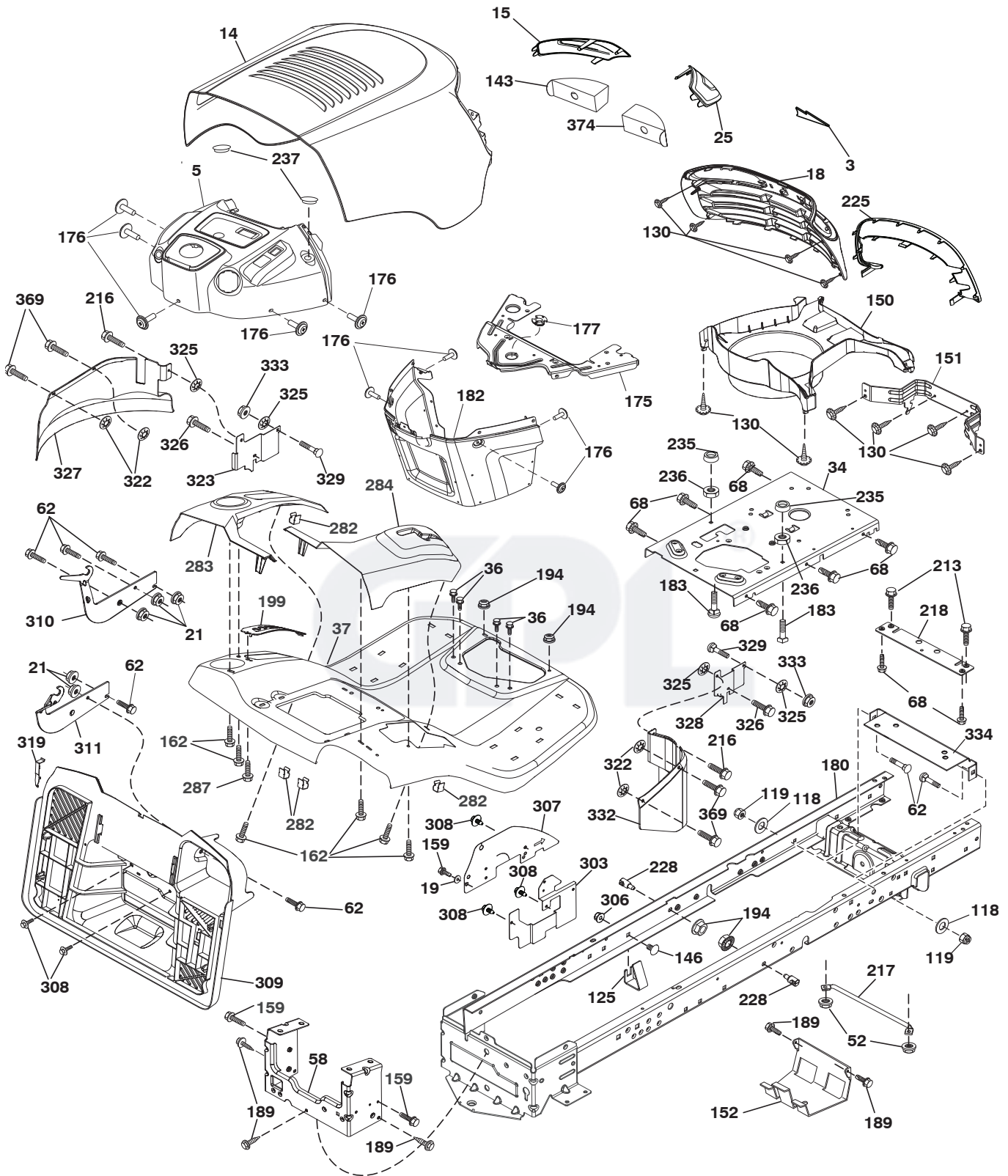


**TRACTOR - MODEL NO. M110-77TC CLASSIC (96051016500), PROD. NO. 960 51 01-65  
ELECTRICAL 32**

<b>KEY NO.</b>	<b>PART NO.</b>	<b>DESCRIPTION</b>
1	532 14 49-24	Battery
2	874 76 04-12	Bolt Hex Head 1/4-20 x 3/4
8	532 41 97-91	Box Battery
16	532 17 61-38	Switch Interlock Push-In
21	532 40 02-52	Harness Socket Light w/4152J
22	532 00 41-52	Bulb Light
25	532 41 66-94	Cable Starter
26	532 17 51-58	Fuse
27	873 51 04-00	Nut Keps Hex 1/4-20 unc
28	532 42 16-86	Cable, Ground
29	532 40 15-45	Switch, Seat
30	532 19 33-50	Switch, Ign
33	532 41 19-35	Key/Chain
34	532 11 07-12	Switch Light/Reset
40	532 42 10-02	Harness Ign. Dash
43	582 04 28-01	Solenoid
55	817 06 05-12	Screw Thdrol 5/16-18 x 3/4 TYTT
71	501 13 34-01	Harness Ign. Chassis
79	532 17 52-42	Socket Asm. Bulb
87	532 42 10-60	Switch Railmount NO-NC-NC
90	532 43 53-95	Cover Terminal
92	532 19 66-15	Harness Pigtail Console ROS
93	532 19 25-40	Screw Plastite 14 X 6
94	532 19 18-34	Module Reverse ROS
99	817 67 04-12	Screw 1/4-20 x 3/4
106	532 17 48-14	Palnut 1/4 Lugs
107	532 42 10-61	Switch Snapmount No #2
108	532 42 10-62	Switch Snapmount NC

**NOTE:** All component dimensions given in U.S. inches  
1 inch = 25.4 mm

**TRACTOR - MODEL NO. M110-77TC CLASSIC (96051016500), PROD. NO. 960 51 01-65**  
**CHASSIS AND ENCLOSURES 39**



chassis-tex\_TEX LT HUSQ\_91\_r1

**TRACTOR - MODEL NO. M110-77TC CLASSIC (96051016500), PROD. NO. 960 51 01-65  
CHASSIS AND ENCLOSURES **39****

KEY NO.	PART NO.	DESCRIPTION	KEY NO.	PART NO.	DESCRIPTION
3	578 89 71-01	Emblem	218	532 19 63-95	X-Piece Hood Stop
5	532 42 57-72	Dash	225	581 05 62-01	Trim Ring
14	532 40 95-98	Hood	228	532 19 51-61	Stud Fastener
15	581 05 58-01	Lens LH	235	532 40 61-29	Spacer Fender
18	581 05 57-01	Grille	236	873 93 05-00	Nut Lock 5/16-18 unc
19	819 13 13-12	Washer 13/32 x 13/16 x 12 Ga.	237	532 40 37-04	Plug Mount Cargo
21	873 80 06-00	Nut Lock Hex w/IN 5 3/8-16 unc	282	532 41 41-10	Clip Retainer
25	581 05 59-01	Lens RH	283	532 44 03-61	Console Deck Lift
34	580 91 09-01	Plate Engine	284	532 44 05-28	Console Shift
36	817 06 05-12	Screw 5/16-18 x 3/4	287	817 60 04-06	Screw Hex Washhead 1/4-20 x 3/8
37	532 44 08-49	Fender	303	589 00 76-02	Shield Chassis LH
52	873 68 05-00	Nut Crown Lock 5/16-18	307	587 49 45-01	Shield Upper
58	532 41 22-80	Drawbar Upper	306	873 90 06-00	Nut Lock Fig 3/8-16 unc
62	872 11 06-08	Bolt Rdhd Sqnk 3/8-16 x 1 G5	308	532 17 18-77	Bolt 5/16-18 unc x 3/4
68	539 99 08-58	Screw Thdrol 5/16-18 x 1/2 TYTT	309	532 43 02-46	Backplate Bagger SRD
118	819 13 13-16	Washer 13/32 x 13/16 x 16	310	532 44 54-28	Bracket Hangar Bag LH
119	873 68 06-00	Nut 3/8-16	311	532 44 54-30	Bracket Hangar Bag RH
125	581 68 48-01	Clip Fuel Line	319	532 17 46-62	Bracket Actuator
130	532 41 63-58	Screw #10 x 0.750 BOS Thread	322	532 42 30-62	Palnut 1/4"
143	581 05 60-01	Insert LH	323	532 43 14-88	Guard Front LH
146	581 85 79-01	Bolt	325	532 42 30-63	Palnut 5/16"
150	532 40 83-10	Air Duct	326	817 06 04-10	Hex Tapping Screw Type R
151	532 18 75-68	Bracket Pivot Hood	327	532 43 14-83	Guard LH
152	532 19 95-35	Shield Browning	328	532 43 14-87	Guard Front RH
159	817 00 06-12	Screw Kexwsh Thdr 3/8-16 x 3/4	329	872 14 05-05	Bolt Rdhd Sqnk 5/16-18 x 5/8
162	532 14 24-32	Screw Hex Wsh. Hi-Lo 1/4 x 1/2 unc	332	532 43 14-82	Guard RH
175	532 19 94-72	Crossmember	333	873 80 05-00	Nut Lock Hx w/INS 5/16-18 unc
176	532 40 07-76	Screw 10-24 x 5/8	334	532 44 25-37	Bracket Engine
177	532 19 52-28	Bushing Steering	369	532 42 17-56	Screw, #10 x 0.500, BOS
180	532 41 46-85	Chassis	374	581 05 60-02	Insert RH
182	532 40 71-76	Dash Lower			
183	874 52 05-20	Bolt 5/16-18 x 1-1/4			
189	817 00 05-12	Screw 5/16-18 x 3/4			
194	873 90 05-00	Nut Lock Hex Flange 5/16-18			
199	532 41 87-39	Plate Deck Lift			
213	539 97 69-34	HCS 5/16-18 18 x 3/4 Gr. 5 ZD			
216	817 67 05-08	Screw Thdrol. 5/16-18 x 1/2			
217	532 40 91-67	Rod Pivot Hood			

**NOTE:** All component dimensions given in U.S. inches  
1 inch = 25.4 mm



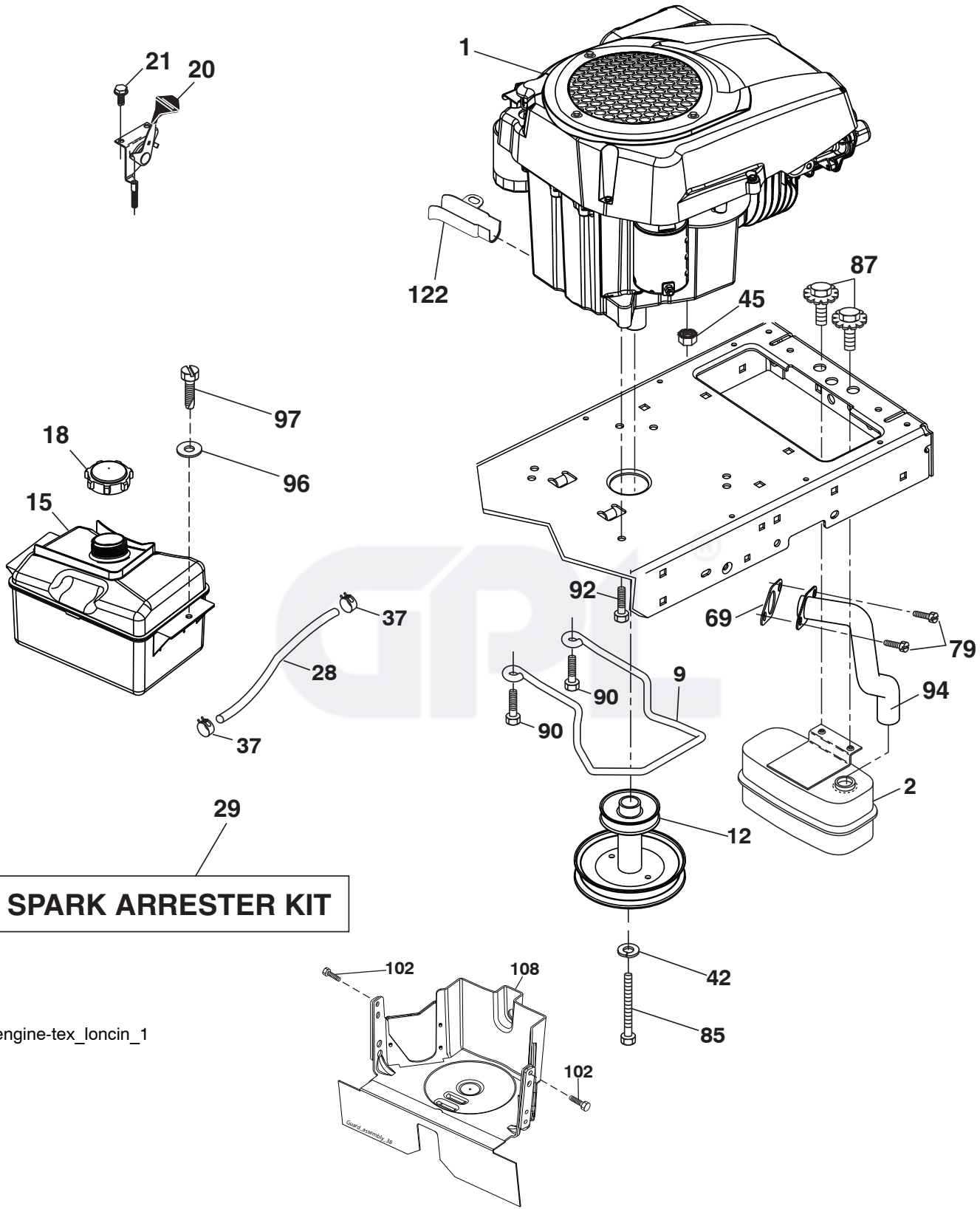


**TRACTOR - MODEL NO. M110-77TC CLASSIC (96051016500), PROD. NO. 960 51 01-65  
DRIVE 40**

KEY NO.	PART NO.	DESCRIPTION	KEY NO.	PART NO.	DESCRIPTION
1	-----	Transaxle, Peerless 206-565 (197941) (Order parts from trans- axle manufacturer.)	172	532 19 76-57	Strap Torque LH
2	532 12 35-83	Key Square	174	532 19 72-89	Nut Push
15	819 13 13-16	Washer 13/32 x 13/16 x 16 Ga.	175	532 19 78-58	Shaft Asm Shift
17	532 19 72-97	Spring, Brake	176	532 19 62-14	Arm Clevis Rod Shift
22	532 41 66-14	Rod Shift	178	532 19 63-14	Spring Shift
23	532 10 69-33	Knob	183	532 13 70-57	Spacer, Axle
26	532 19 74-55	Spring Brake RTN	184	532 41 14-84	Handle Parking Brake
29	532 19 72-67	Rod, Brake	185	872 11 06-22	Bolt
33	812 00 00-01	Ring E	186	532 19 43-21	Spacer Retainer
35	532 40 10-31	Rod, Brake, Park	187	819 13 32-10	Washer
37	532 12 17-49	Washer 25/32 x 1-1/4 x 16 Ga.	188	582 21 70-01	Link Clutch Ground Drive, Long
42	532 12 48-72	Cover, Foot Pedal	189	532 19 43-17	Bellcrank Ground Drive
49	872 11 06-14	Bolt	190	532 19 43-18	Keeper Bellcrank Ground Drive
50	532 19 43-27	Pulley Idler Flat	192	532 15 03-60	Nut Lock Center 1/4-28
51	873 90 06-00	Lock Nut 3/8-16	193	817 06 05-12	Screw 5/16-18 x 3/4
52	532 19 43-26	Idler V-Groove	195	532 19 73-32	Bracket Brake Rod
56	532 13 82-55	V-Belt, Drive	202	532 19 78-59	Link Shift
61	532 16 59-99	Pulley Transaxle	203	819 11 11-16	Washer 11/32 x 11/16 x 16 Ga.
64	532 19 62-00	Shaft Asm. Pedal Brake Control	205	532 12 17-48	Washer 25/32 x 1-5/8 x 16 Ga.
73	874 49 05-40	Bolt 5/16-18 x 2 1/2 G5	221	532 40 31-87	Retainer Spring Clip Handle
116	873 90 05-00	Nut Lock Hex Flange 5/16-18	232	874 78 07-16	Bolt 7/16-14 x 1 Gr. 5
125	817 00 05-12	Screw 5/16-18 x 3/4	233	532 40 52-96	Washer Serrated
134	532 19 78-57	Arm Shift	263	817 00 06-12	Screw Hexwsh THDR 3/8-16 x 3/4
139	874 55 04-12	Bolt 1/4-20 unf Gr. 8 w/Patch	268	532 18 24-02	Guard Muffler
140	810 04 04-00	Washer Lock Hvy Helical 1/4	287	532 42 16-48	Keeper Pulley Transaxle
141	819 09 12-10	Washer 9/32 x 3/4 x 10 Ga.	288	532 41 66-17	Link Shift Slave
153	532 12 47-88	Retainer Spring 1"	289	532 41 75-20	Bracket Support Shift Outer
155	812 00 00-28	Ring Retainer	290	532 42 00-14	Shaft Asm. Shift Rear
157	532 10 57-01	Washer Plate Shf	292	532 41 93-07	Plate Asm. Shift
158	532 19 43-52	Keeper T/A			
159	876 02 04-12	Pin Cotter 1/8 x 3/4			
160	532 16 94-84	Retainer Clip			
161	532 10 57-09	Spring, Return, Clutch			
165	532 19 62-12	Busing Shaft Brake Hand Control			
166	532 42 91-64	Nut Push .625			
167	532 40 52-57	Latch Brake Parking			

**NOTE:** All component dimensions given in U.S. inches  
1 inch = 25.4 mm

TRACTOR - MODEL NO. M110-77TC CLASSIC (96051016500), PROD. NO. 960 51 01-65  
ENGINE 24



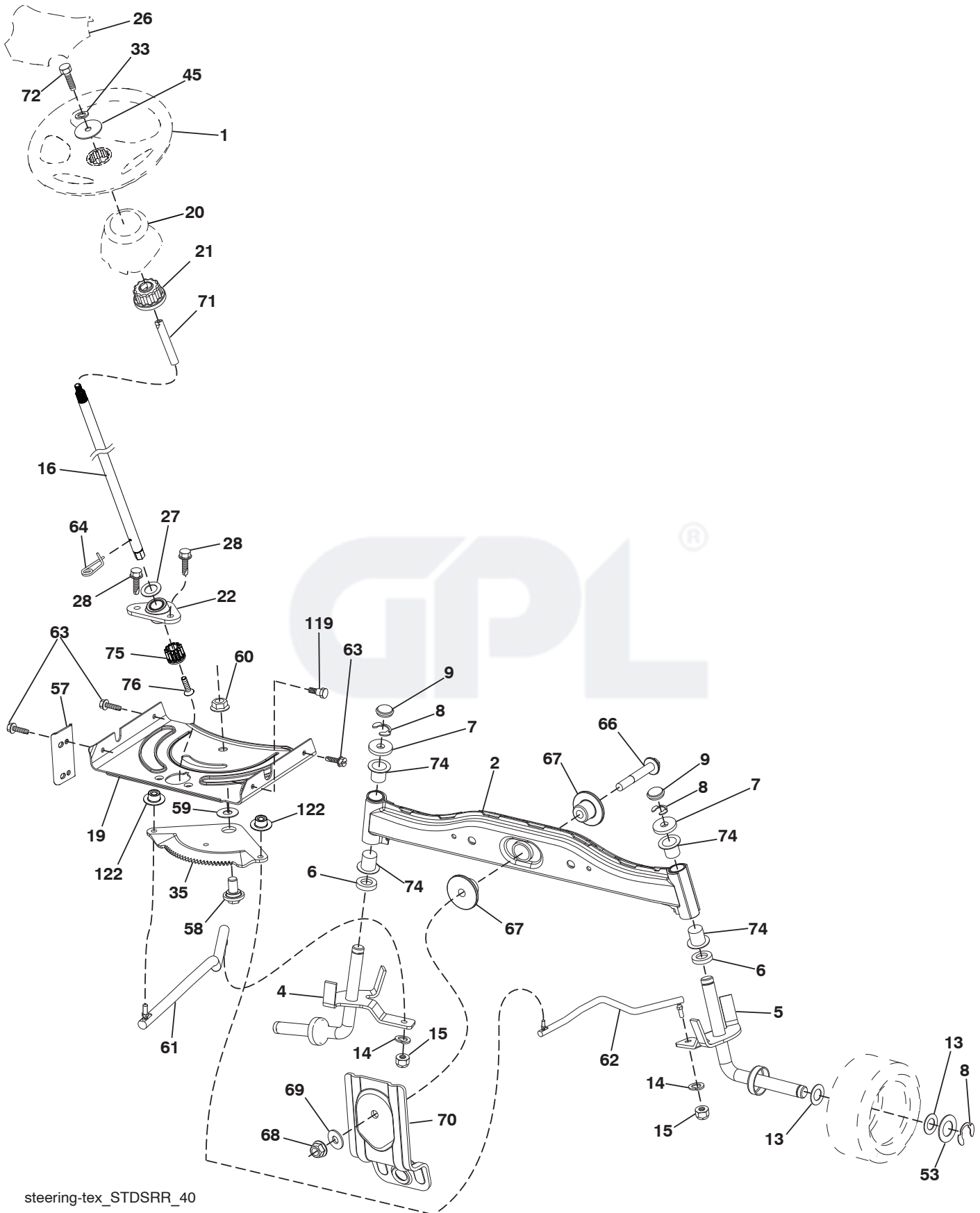
engine-tex\_loncin\_1

**TRACTOR - MODEL NO. M110-77TC CLASSIC (96051016500), PROD. NO. 960 51 01-65  
ENGINE 24**

<b>KEY NO.</b>	<b>PART NO.</b>	<b>DESCRIPTION</b>
1	---	Engine SVC LLC 591070901
2	532 18 86-55	Muffler
9	582 54 03-02	Keeper Belt Engine
12	532 14 01-86	Pulley Engine
15	581 28 99-01	Tank Fuel 1.5
18	532 43 02-20	Cap Asm
20	532 18 38-97	Control Throttle
21	532 41 63-58	Screw #10 x 0.750 BOS Thread
28	532 13 70-40	Fuel Line
29	532 13 71-80	Spark Arrester Kit
37	532 12 34-87	Clamp Hose
42	539 99 02-47	Washer SLW STD 7/16
45	593 35 64-01	Nut Hex Flange M6 Serrated
69	590 86 35-01	Gasket
79	532 18 39-06	Screw Socket HD 5/16 - 18 x 1
85	501 60 65-01	Bolt Hex 7/16-20 x 4 Gr. 5 1.5
87	532 17 18-77	Bolt 5/16-18 unc x 3/4
90	817 00 06-16	Screw 3/8-16 x 1
92	817 12 06-16	Screw 3/8-16 x 1
94	590 86 46-01	Tube Exhaust
96	819 09 14-16	Washer 9/32 x 7/8 x 16 Ga.
97	817 67 04-12	Screw 1/4-20 x 3/4
102	817 00 05-12	Screw 5/16-18 x 3/4
108	587 17 95-12	Cover Pulley Eng. w/SHLD 30"
122	532 42 19-22	Extension Drain Oil

**NOTE:** All component dimensions given in U.S. inches  
1 inch = 25.4 mm

**TRACTOR - MODEL NO. M110-77TC CLASSIC (96051016500), PROD. NO. 960 51 01-65**  
**STEERING ASSEMBLY 41**



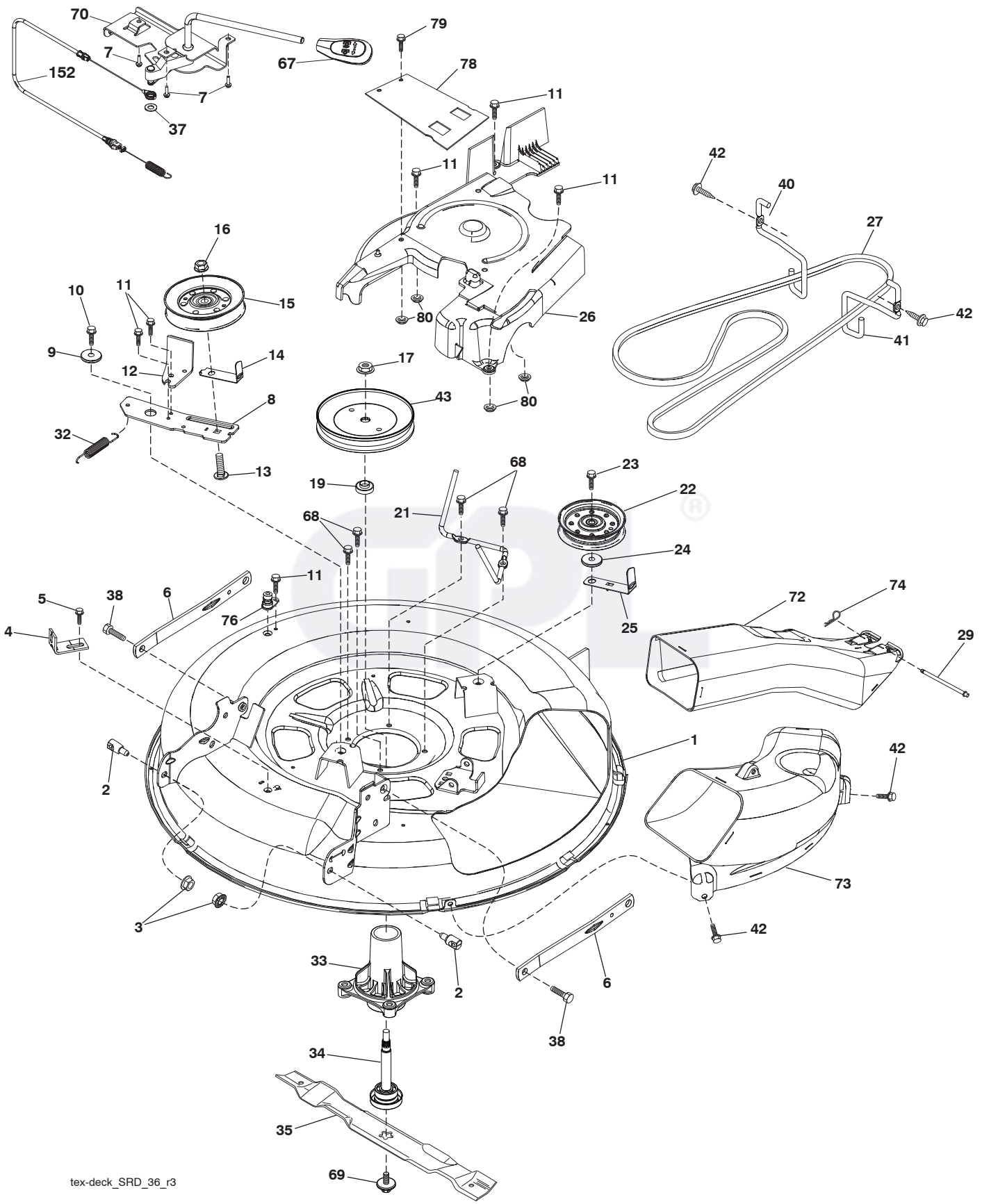
steering-tex\_STDSRR\_40

**TRACTOR - MODEL NO. M110-77TC CLASSIC (96051016500), PROD. NO. 960 51 01-65  
STEERING ASSEMBLY 41**

<b>KEY NO.</b>	<b>PART NO.</b>	<b>DESCRIPTION</b>
1	532 42 45-43	Wheel, Steering
2	532 41 81-68	Axle Asm., Front
4	532 41 68-45	Spindle Asm., LH
5	532 41 68-46	Spindle Asm., RH
6	532 12 49-31	Bearing, Race Thrust Hardened
7	532 12 17-48	Washer 25/32 x 1-5/8 x 16 Ga.
8	812 00 00-29	Ring, Klip #T5304-75
9	532 12 12-32	Cap, Spindle
13	532 12 17-49	Washer, 25/32 x 1-1/4 x 16 Ga.
14	539 99 01-18	Washer, SLW ZD 3/8
15	873 54 06-00	Nut, Crown Lock 3/8-24 unf
16	585 86 92-02	Steering Shaft
19	532 19 47-29	Plate Steering
20	532 40 97-63	Boot, Steering
21	532 18 67-37	Adapter, Wheel Steering
22	585 02 98-02	Bearing
26	532 42 46-91	Insert, Wheel Steering
27	819 21 16-16	Washer 21 x 32 x 1 x 16 Ga.
28	817 00 06-12	Screw 3/8-16 x 3/4
33	539 99 01-87	Washer Lock 5/16
35	532 19 47-32	Gear, Sector Plate
45	819 11 38-12	Washer 11/32 x 3/8 x 12 Ga.
53	532 18 89-67	Washer Hardened .793 x 1.637 x .060
57	532 40 74-65	Bracket Upstop
58	532 19 47-47	Bolt Shoulder Sector Pivot CFM
59	532 19 47-48	Washer Thrust Sector Steering
60	873 97 10-00	Nut Flange Lock 5/8-11
61	532 19 47-40	Draglink, LH
62	532 19 47-41	Draglink, RH
63	817 00 05-12	Screw 5/16-18 x 3/4
64	532 19 98-49	Retainer Clip Spring Steering
66	871 02 07-48	Bolt Hex Fghd 7/16-14 x 3 Serr
67	532 19 47-37	Bushing PM Front Axle
68	873 90 07-00	Nut Lock Flange 7/16-14 Gr. 5
69	532 19 91-62	Washer 1.5 x .505 x .118
70	532 41 70-65	Bracket Deck Susp. Front
71	532 19 07-52	Shaft Extension Steering
72	532 42 89-82	Bolt Fin Hex 5/16-18 x 4 w/Patch
74	532 12 49-37	Bearing
75	580 68 37-01	Pinion
76	580 68 36-01	Screw Head Sock
119	532 17 01-65	Bolt Shoulder 5/16-18
122	532 44 49-62	Cap Gear Sector

**NOTE:** All component dimensions given in U.S. inches  
1 inch = 25.4 mm

TRACTOR - MODEL NO. M110-77TC CLASSIC (96051016500), PROD. NO. 960 51 01-65  
MOWER DECK 44



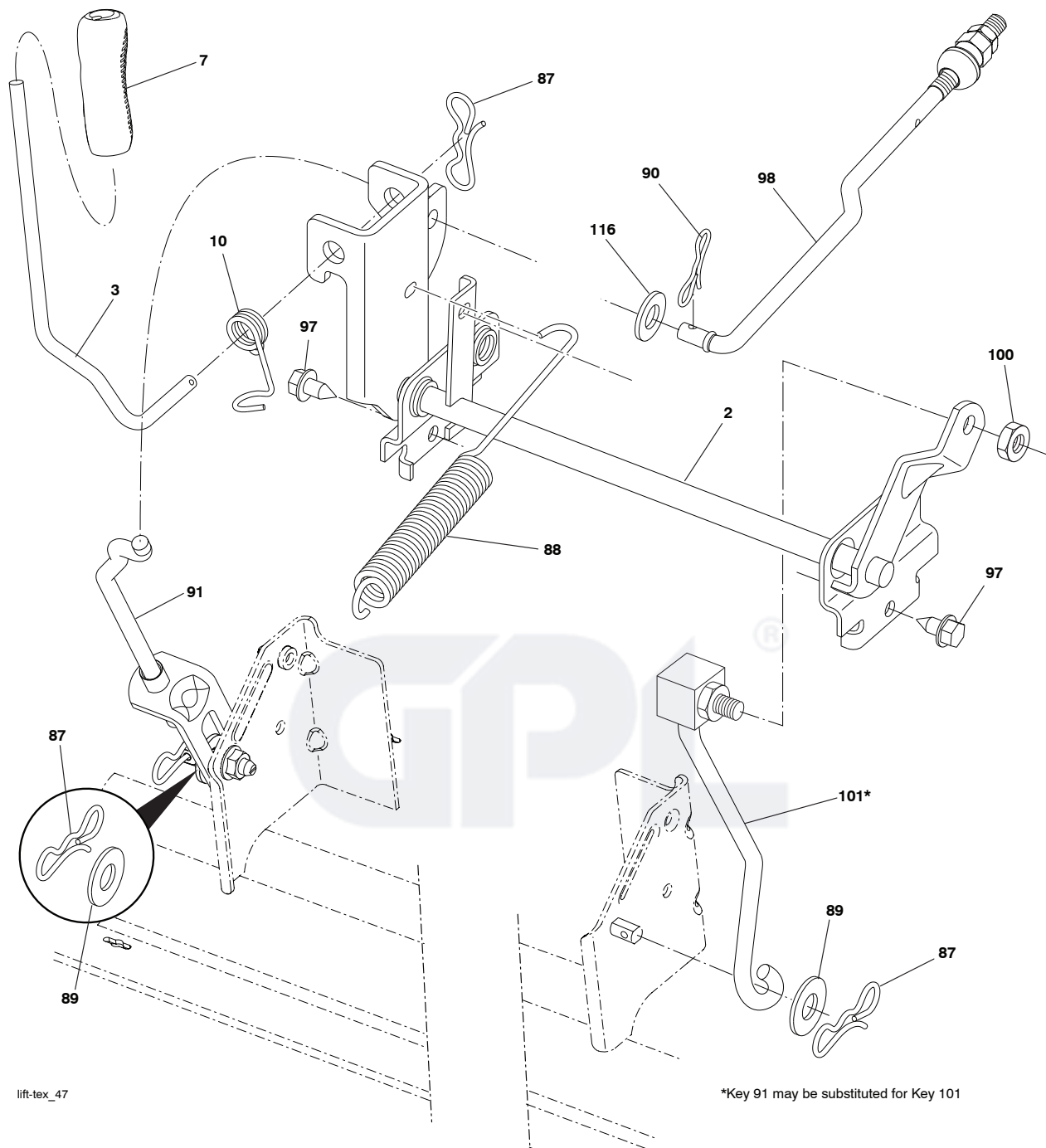
tex-deck\_SRD\_36\_r3

**TRACTOR - MODEL NO. M110-77TC CLASSIC (96051016500), PROD. NO. 960 51 01-65  
MOWER DECK 44**

KEY NO.	PART NO.	DESCRIPTION	KEY NO.	PART NO.	DESCRIPTION
1	532 41 92-72	Deck Weldment 30"Srd	37	819 13 13-16	Washer 13/32 x 13/16 x 16 Ga.
2	532 19 51-61	Stud Fastner W/D'anti-Rotatio	38	532 19 65-39	Bolt Shoulder
3	873 90 05-00	Nut Lock Hex Flange 5/16 - 18	40	532 41 92-70	Keeper Belt Engine LH
4	532 41 76-45	Bracket Clutch Cable	41	532 41 92-65	Keeper Belt Engine RH
5	817 00 05-10	Bolt 5/16-18	42	817 00 06-12	ScrewHexwshTHDR3/8-16x3/4BL
6	532 41 88-63	Arm Susp Mower Rear Srd	43	532 41 68-77	Pulley Mandrel 6 5 Pd 30"
7	532 41 63-58	Screw #10 x 0.750 BOS Thread	67	532 40 30-12	Handle clutch cable
8	532 42 02-52	Arm Idler 30"Srd	68	584 95 39-01	Bolt Hex Washer Head .313-18 x 1.19
9	532 19 90-92	Spacer Retainer	69	584 30 93-01	Screw SEMS 7/16-20 x 1 Hx Hd
10	817 00 06-16	Screw 3/8 - 16 X 1 Smgml Tap/R Blk	70	532 40 12-46	Clutch Asm. Manual
11	532 13 77-29	Screw Thd Roll 1/4 - 20 X 5/8	72	532 41 72-36	Chute Upper SRD 30R
12	532 19 94-70	Arm Brake Mower 38" RH Tex	73	532 42 52-74	Chute Lower SRD 30R
13	872 11 06-12	Bolt Carr Sh 3/8 - 16 X 1 - 1/2 Gr5	74	532 12 46-70	Retainer Spring
14	532 15 60-85	Keeper Belt Idler	76	532 41 55-98	Washout Port
15	532 14 67-63	Pulley Idler V-Groove Dim 4.25	78	532 42 25-66	Guard Deck SRD Arm Clutch
16	873 90 06-00	Nut Lock FIG 3/8 - 16 unc	79	532 14 24-32	Screw Hex Wsh. HI-LO 1/4 x 1/2 unc
17	532 40 02-34	Nut Flange Lock Top	80	532 42 30-62	Palnut 1/4
19	585 32 39-01	Bearing Ball Mandrel	152	532 43 51-11	Manual Clutch Cable
21	532 41 69-10	Keeper Belt Mandrel 30"	--	587 25 33-01	Mandrel Assembly (Includes Housing (key # 33), Shaft Assembly (key # 34), And Bearing (key #19) Only - Pulley/Nut/Washer And Blade Bolt/Washers Not Included)
22	532 17 58-20	Pulley Idler Flat	--	532 44 57-40	Replacement Mower Complete
23	817 49 06-28	Screw Thdrol 3/8 - 16 X 1-3/4			
24	819 13 20-12	Washer 13/32 X 1 - 1/4 X 12 Ga			
25	532 42 02-53	Keeper Belt 30"Srd			
26	532 42 02-55	Cover Mandrel Mwr Assy.			
27	532 41 92-71	V-Belt Drive			
29	532 42 08-95	Hinge Pin			
32	532 40 18-72	Spring Return Deck 38/46"			
33	532 18 72-81	Housing Mandrel 4pt Service			
34	587 25 65-01	Shaft Asm			
35	532 41 92-74	Blade Mower Bagging Srd			

**NOTE:** All component dimensions given in U.S. inches  
1 inch = 25.4 mm

**TRACTOR - MODEL NO. M110-77TC CLASSIC (96051016500), PROD. NO. 960 51 01-65**  
**MOWER LIFT 45**



lift-tex\_47

\*Key 91 may be substituted for Key 101

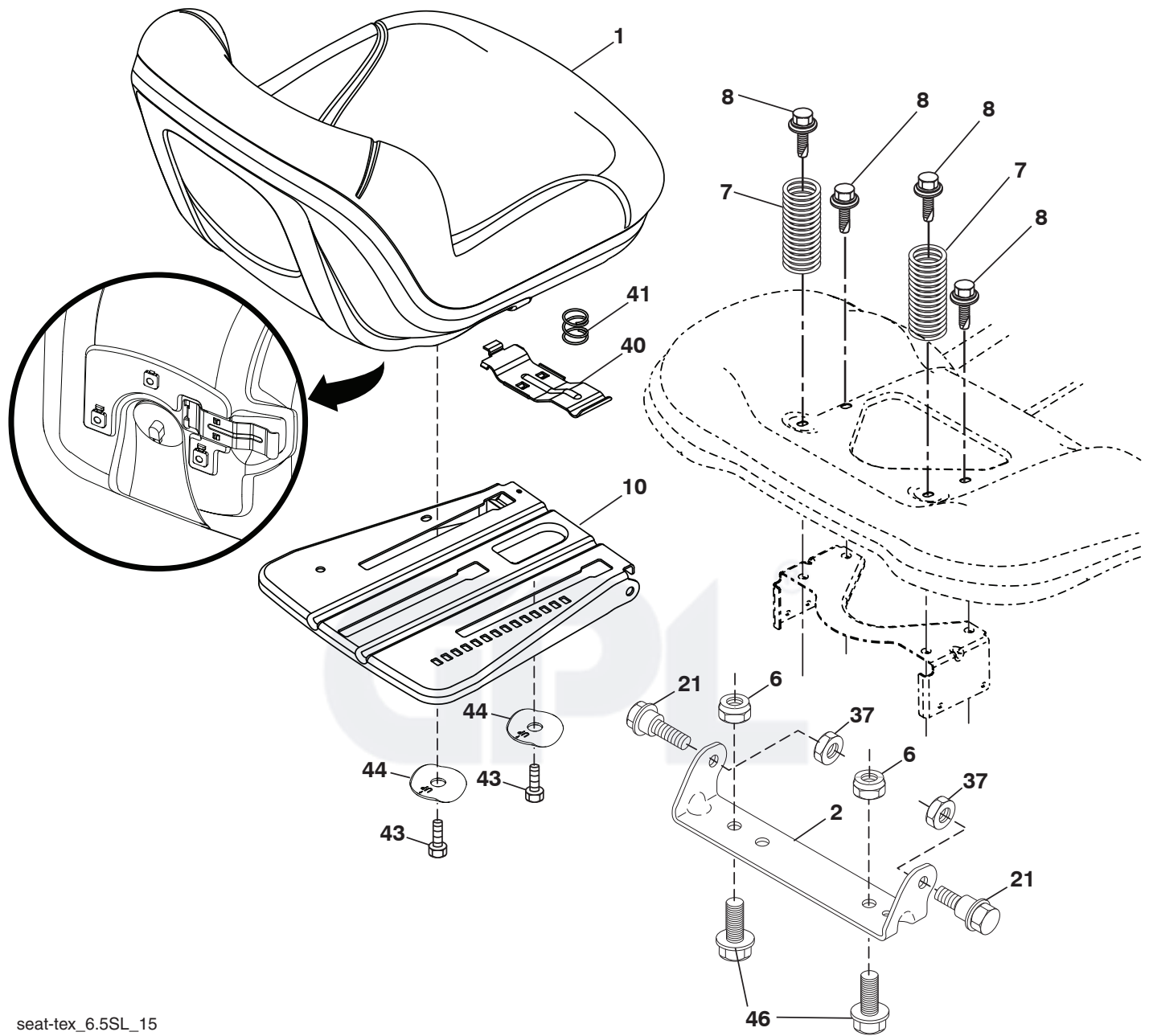
KEY NO.	PART NO.	DESCRIPTION
2	532 42 20-27	Shaft Asm., Lift
3	532 19 52-31	Lever Asm., Lift RH
7	580 96 23-01	Grip, Lever
10	532 19 63-14	Spring Torsion
87	532 19 42-09	Pin Cotter 7/16 Bow Tie Lock
88	532 41 07-10	Spring Lift Assist
89	819 19 19-12	Washer Clear
90	532 19 42-08	Pin Cotter 5/16 Bow Tie Lock
91	532 19 51-81	Link Lift Susp Mower Rear

KEY NO.	PART NO.	DESCRIPTION
97	817 00 06-12	Screw 3/8-16 x 3/4
98	532 19 52-64	Link Lift Susp. Front Mower
100	873 93 06-00	Nut Centerlock 3/8-16
101	532 40 70-03	Link Asm Lift Fixed
116	819 15 15-16	Washer 15/32 x 15/16 x 16 Ga.

**NOTE:** All component dimensions given in U.S. inches  
 1 inch = 25.4 mm



**TRACTOR - MODEL NO. M110-77TC CLASSIC (96051016500), PROD. NO. 960 51 01-65  
SEAT ASSEMBLY 42**



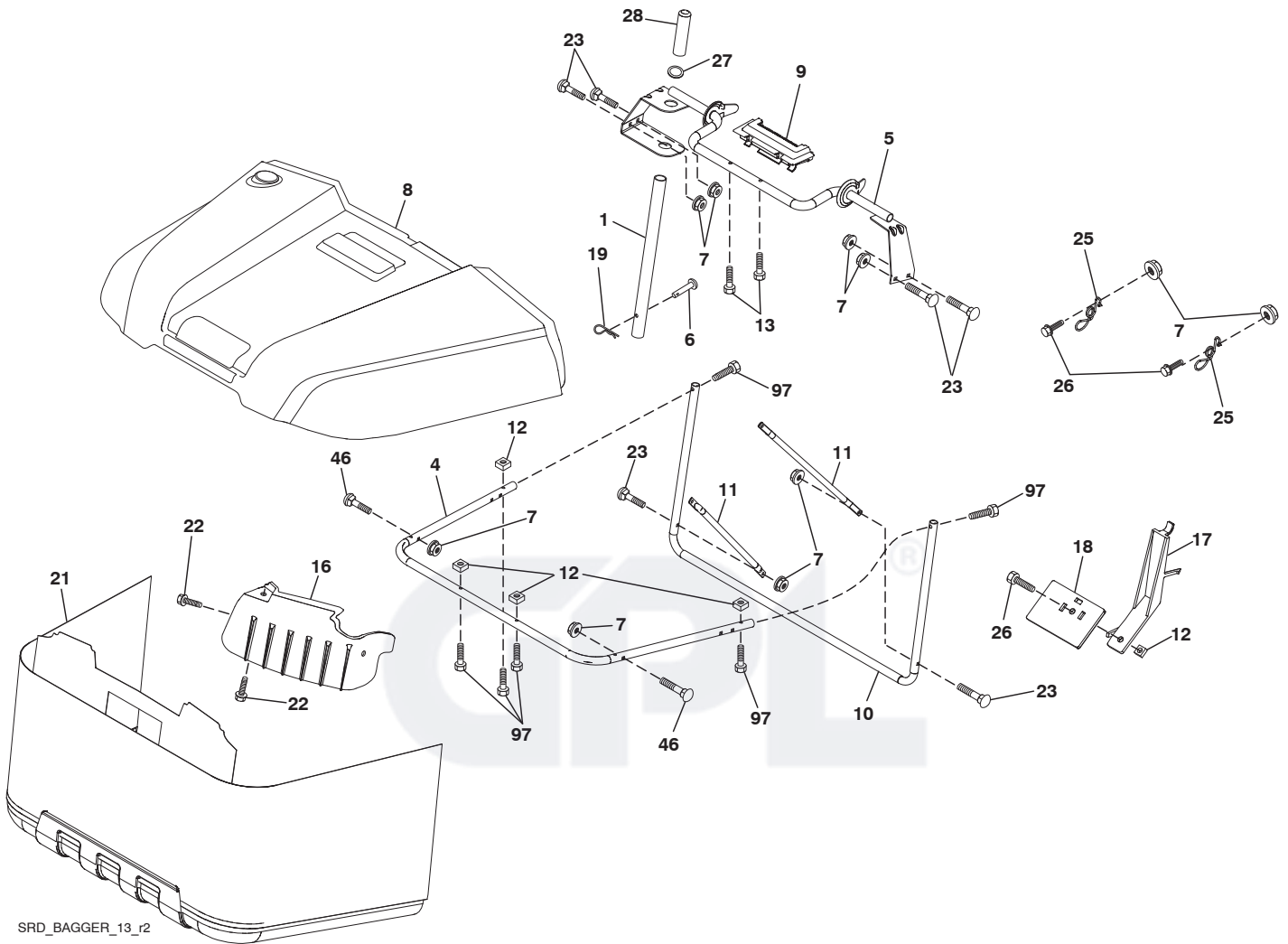
seat-tex\_6.5SL\_15

KEY NO.	PART NO.	DESCRIPTION
1	581 46 20-01	Seat
2	532 18 01-66	Bracket Pivot Fender
6	873 80 06-00	Nut, Lock w/Ins. 3/8-16 unc
7	589 48 35-01	Spring, Seat Cprsn
8	532 17 18-77	Bolt 5/16-18 unc x 3/4 w/Sems
10	587 23 20-02	Pan, Seat
21	587 90 78-01	Bolt, Shoulder 5/16-18 x 5/8
37	873 80 05-00	Nut, Lock 5/16-18 unc

KEY NO.	PART NO.	DESCRIPTION
40	532 19 76-61	Handle Slide Seat
41	532 19 82-00	Spring Latch Seat
43	874 76 06-12	Bolt 3/8-16 x 3/4
44	501 05 18-01	Washer Winged 3/8 ID 1.5 OD
46	588 09 04-01	Bolt 3/8-16 x 1, 1.25 OD Wshr

**NOTE:** All component dimensions given in U.S. inches  
1 inch = 25.4 mm

TRACTOR - MODEL NO. M110-77TC CLASSIC (96051016500), PROD. NO. 960 51 01-65  
BAGGER **46**



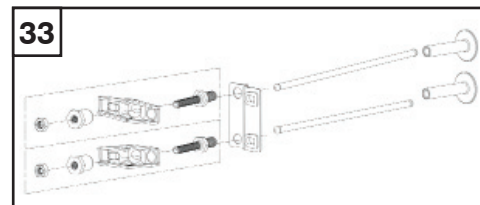
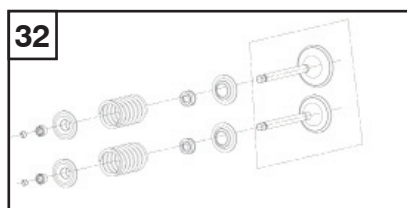
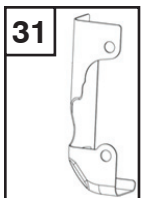
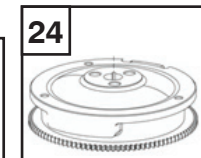
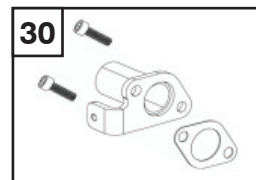
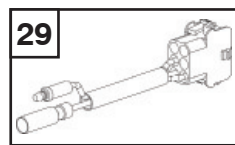
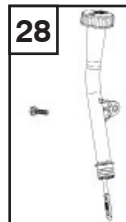
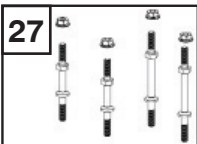
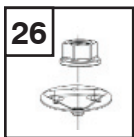
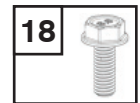
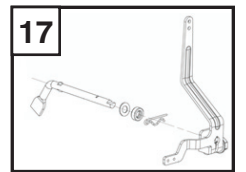
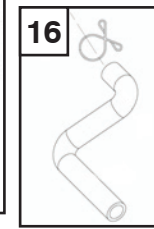
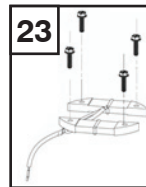
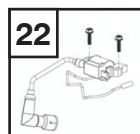
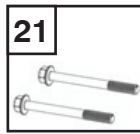
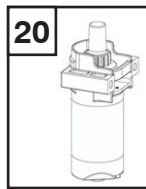
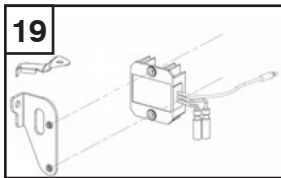
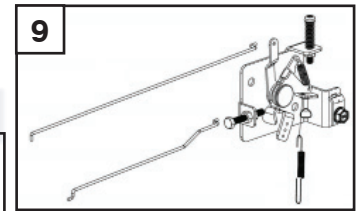
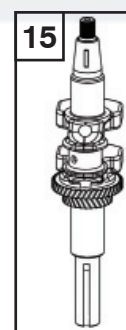
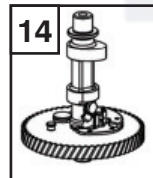
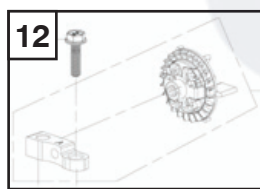
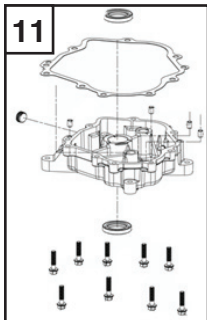
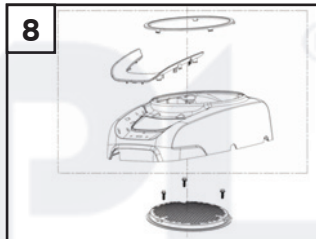
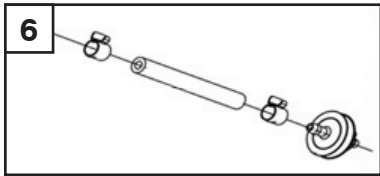
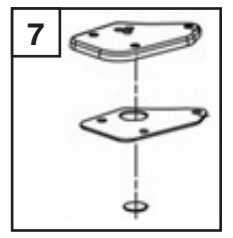
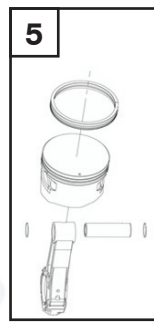
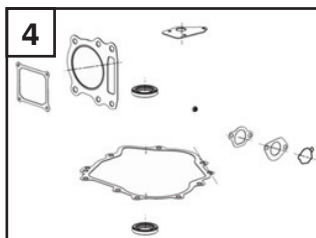
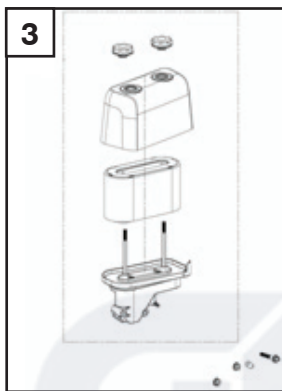
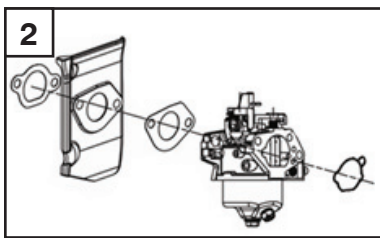
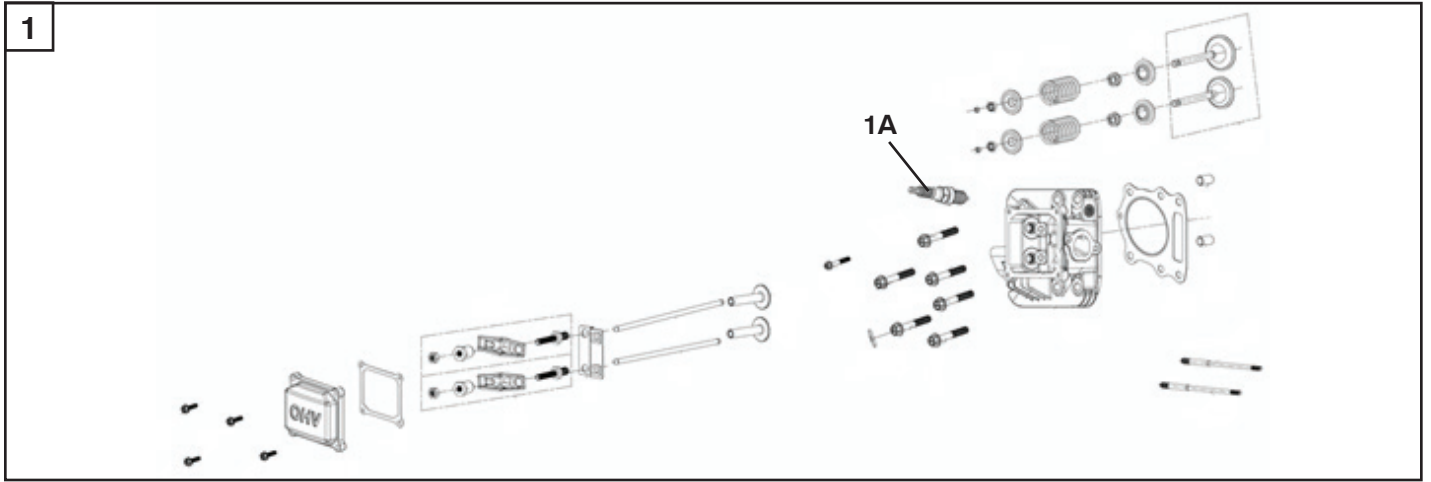
SRD\_BAGGER\_13\_r2

**TRACTOR - MODEL NO. M110-77TC CLASSIC (96051016500), PROD. NO. 960 51 01-65  
BAGGER 46**

<b>KEY NO.</b>	<b>PART NO.</b>	<b>DESCRIPTION</b>
1	532 42 86-10	Tube Handle Bagger SRD
4	579 78 54-01	Frame Asm Bagger Top
5	532 41 76-32	Frame Asm Top Bagger SRD
6	532 12 68-75	Drilled Rivet
7	873 90 04-00	Nut Hex Flange 1/4-20 unc
8	532 42 59-54	Cover Bagger SRD
9	532 41 76-29	Insert Handle Bagger
10	532 41 71-90	Frame Front
11	532 41 71-88	Tubing Brace Bagger
12	532 42 17-93	Nut Square 1/4
13	532 42 17-80	Screw 1/4 x 1.150 HXWSH
16	532 42 15-66	Deflector Bagger
17	532 42 17-49	Lever Bagger Full
18	532 42 17-50	Paddle Bagger Full
19	532 19 42-08	Pin Cotter 5/16 Bow Tie Lock
21	581 33 69-01	Bag Asm SRD
22	532 14 24-32	Screw Hex WSH Hi-Lo 1/4 - 1/2 unc
23	872 04 04-10	Bolt Carr 1/4-20 unc x 1-1/4
25	532 42 16-14	Spring Latch Bagger
26	817 49 04-12	Screw Hex Thdrol 1/4-20 x 3/4
27	532 42 12-62	Grommet, Rubber SRD
28	532 16 57-87	Grip Handle Black
46	501 40 66-01	Screw Hex Cap 1/4-20 x 1.500
97	590 10 57-01	Screw Torx Butn HD 1/4-20-1.5"

**NOTE:** All component dimensions given in U.S. inches  
1 inch = 25.4 mm

**TRACTOR - MODEL NO. M110-77TC CLASSIC (96051016500), PROD. NO. 960 51 01-65  
ENGINE (352 CC)**



**TRACTOR - MODEL NO. M110-77TC CLASSIC (96051016500), PROD. NO. 960 51 01-65  
ENGINE (352 CC)**

<b>ITEM NO.</b>	<b>PART NO.</b>	<b>DESCRIPTION</b>	<b>QTY.</b>
1	590903601	CYLINDER HEAD COMP KIT	1
1A	591165501	SPARK PLUG	1
2	590903701	CARBURETOR KIT	1
3	590903901	AIR CLEANER KIT	1
4	590904201	GASKET AND SEAL KIT	1
5	590904301	PISTON AND RING SET,PISTON KIT	1
6	590904401	FUEL SYSTEM KIT	1
7	590904701	COVER COMP BREATHER AND VALVE, BREATHER CHAMBER KIT	1
8	590904801	START COVER KIT	1
9	590966001	THROTTLE AND CHOKE ROD KIT	1
10	590970601	AIR FILTER	1
11	590967901	CRANKCASE COVER KIT	1
12	590968001	GOVENOR GEAR KIT	1
13	590968101	BALANCING SHAFT KIT	1
14	590968201	CAMSHAFT	1
15	590968301	CRANKSHAFT	1
16	590968401	BREATHER TUBE KIT	1
17	591165601	SPEED REGULATING ARM KIT	1
18	590968601	HEXAGON BOLT WITH FLANGE	1
19	590968801	VOLTAGE REGULATOR KIT	1
20	590968901	STARTER MOTOR KIT	1
21	592951201	STARTER MOTOR BOLTS	1
22	590969001	IGNITION COIL KIT	1
23	590969101	CHARGING ARMATURE KIT	1
24	590969201	FLYWHEEL KIT	1
25	590969901	IMPELLER KIT	1
26	590969601	STARTING DISC KIT	1
27	590969701	STUD KIT	1
28	590969801	FILL TUBE KIT	1
29	590970001	CONNECTING WIRE	1
30	590970101	EXHAUST PIPE KIT	1
31	590970201	AIR DEFLECTOR	1
32	590970301	VALVE KIT	1
33	590970401	ROCKER ARM KIT	1

